

# GPS Antenna GPA-CG2C5

Telecommunication component

## OUTLINE

This is a highly sensitive, efficient antenna for receiving GPS satellite waves. The GPA-CG2C5 is a Mitsumi standard product used as a vehicle assembly line genuine part.



## FEATURES

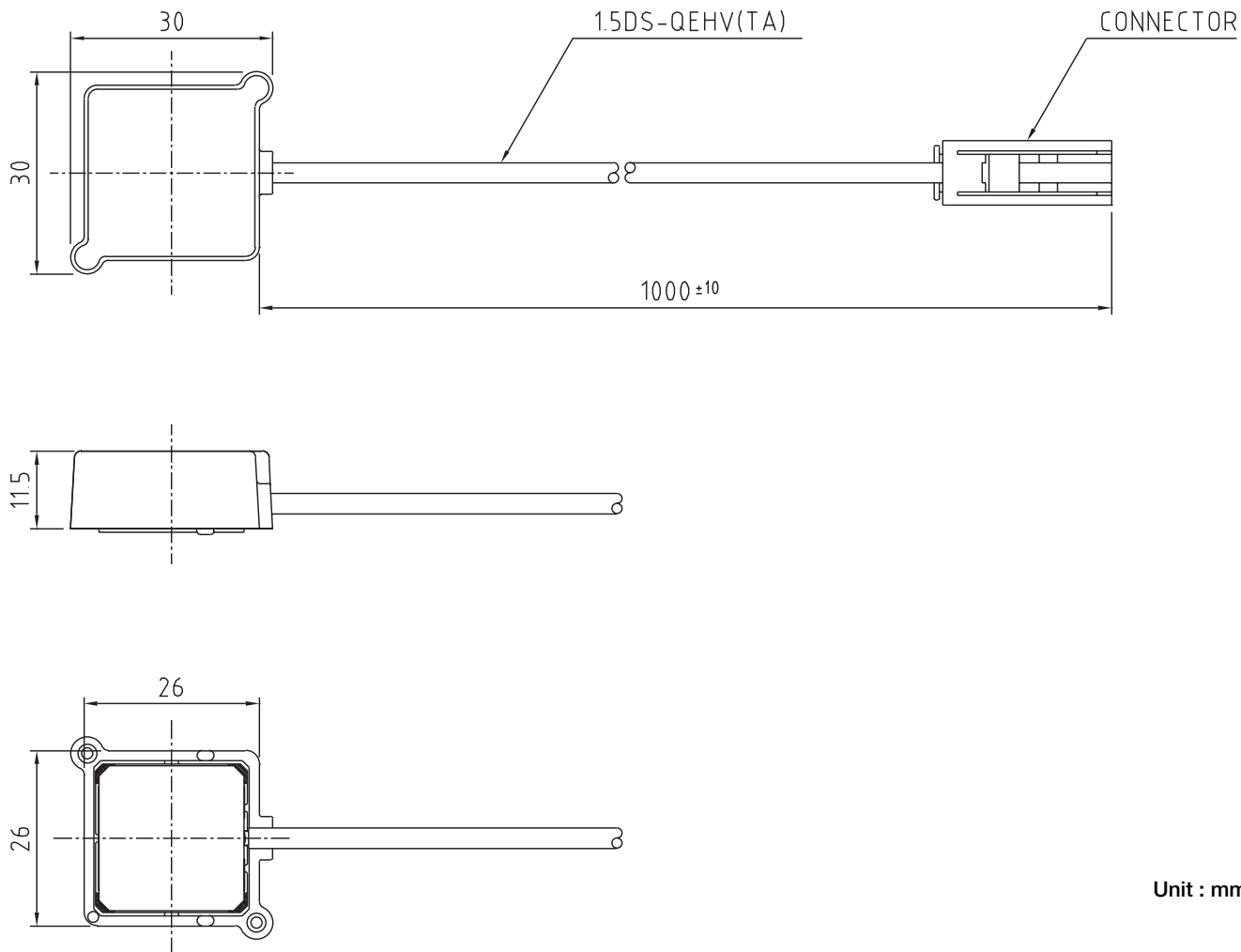
1. Utilizes Mitsumi standard case.
2. Miniature size (30mm × 30mm × 11.5mm)
3. Small antenna element (20mm × 20mm × 4mm)
4. Cable length and connector can be customized.
5. Various optional extras (mounting fixtures, spongers, and clips, etc.) are available to satisfy your needs.

## SPECIFICATIONS

|         | Item                                     | Specifications              |
|---------|--|-----------------------------|
| Antenna | Reception frequency                      | 1575.42±1.023MHz            |
|         | Reception polarization                   | Right rotating polarization |
|         | Antenna gain                             | 0dBi min.                   |
|         | Output impedance                         | 50Ω                         |
| LNA     | Reception frequency                      | 1575.42±1.023MHz            |
|         | Noise factor                             | 1.1dB typ.                  |
|         | Gain                                     | 26dB typ.                   |
|         | Gain flatness<br>(within reception band) | 1dB max.                    |
|         | Ex-band attenuation                      | 18dB min. (fo±50MHz)        |
| Overall | Overall gain                             | 28dBi typ. (Zenith)         |
|         | Power supply voltage                     | 5.0V                        |
|         | Consumption current                      | 17mA typ. 25mA max.         |
|         | Minimum Order                            | 30,000Pcs/Year              |

\*Gain is for the standard cable length of 1m and grounding plate measuring 40mm×40mm.

**DIMENSIONS**



Unit : mm