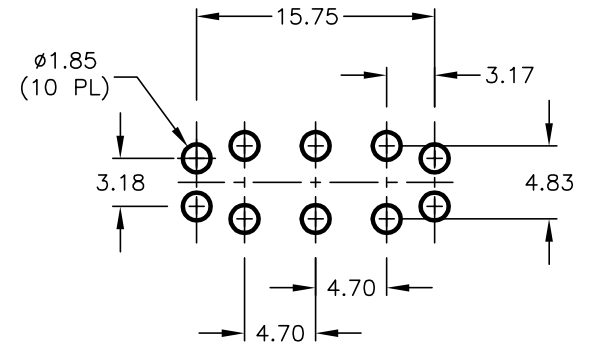
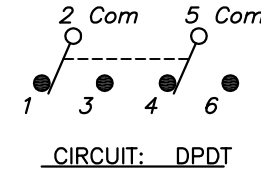
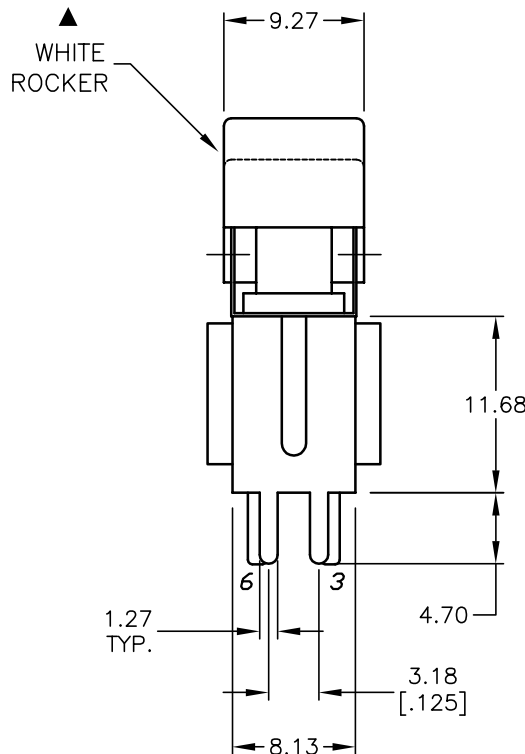
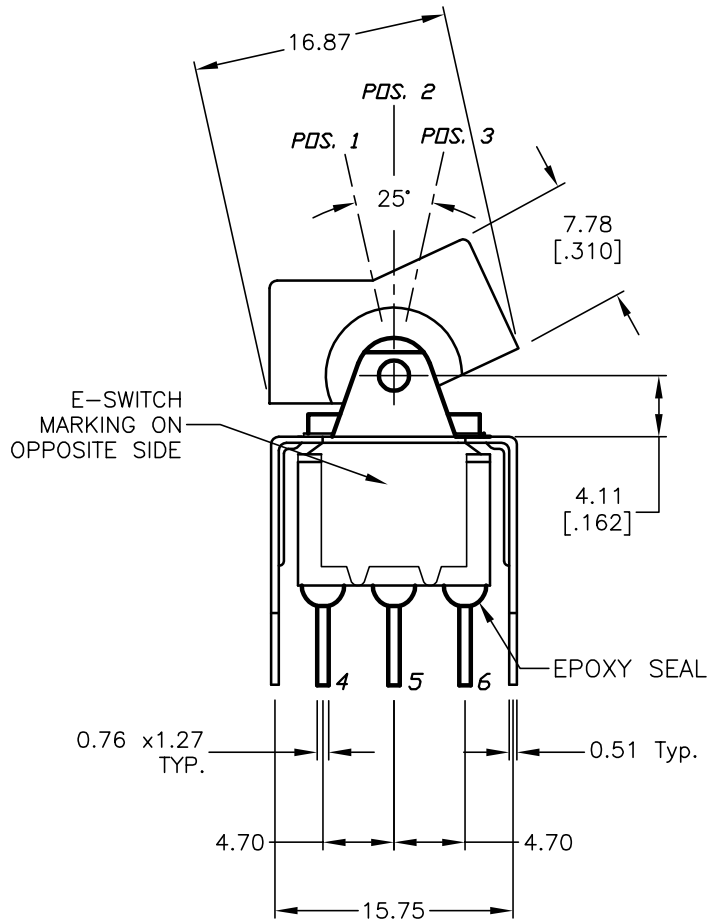


**BOTTOM VIEW**  
BRACKET CROPPED FOR CLARITY



**RECOMMENDED PANEL MOUNTING**



SWITCH FUNCTION		
PDS. 1	PDS. 2	PDS. 3
ON	NONE	ON
2-3,5-6	OPEN	2-1,5-4

**NOTES:**

1. ALL DIMENSIONS IN MM
2. GENERAL TOLERANCE: X.X=±0.4  
X.XX=±0.25
3. TERM. NOS. FOR REF. ONLY
4. RATING: 0.4V @20V AC or DC max.
- ▲ 5. MATERIAL: FIXED TERMINAL & MOVING CONTACT  
Copper Alloy w/GOLD Plate over  
Nickle plate.
6. CONTACT RESISTANCE: 10mILLI Ohms max initial  
@2-4VDC, 100mA for AG & AU
7. ELECTRICAL LIFE: 50,000 make-and-break  
cycles at full load.
8. INSULATION RESISTANCE: 1,000M ohm min.
9. DIELECTRIC STRENGTH: 1000V RMS @sea level
10. OPERATING TEMP.: -30°C to 85°C

**E-SWITCH®**

A	13638	RELEASED FOR PRODUCTION	12/4/03	AR
REV.	ECN No.	DESCRIPTION	DATE	CHKD

THE INFORMATION CONTAINED IN THIS DOCUMENT IS PROPRIETARY TO E-SWITCH AND IS NOT TO BE COPIED OR TRANSFERRED

TITLE				
300DP1J1WHTVS2RE				
SCALE	DATE	DR	DWG	REV
2:1	12/4/03	AR	T321046	A