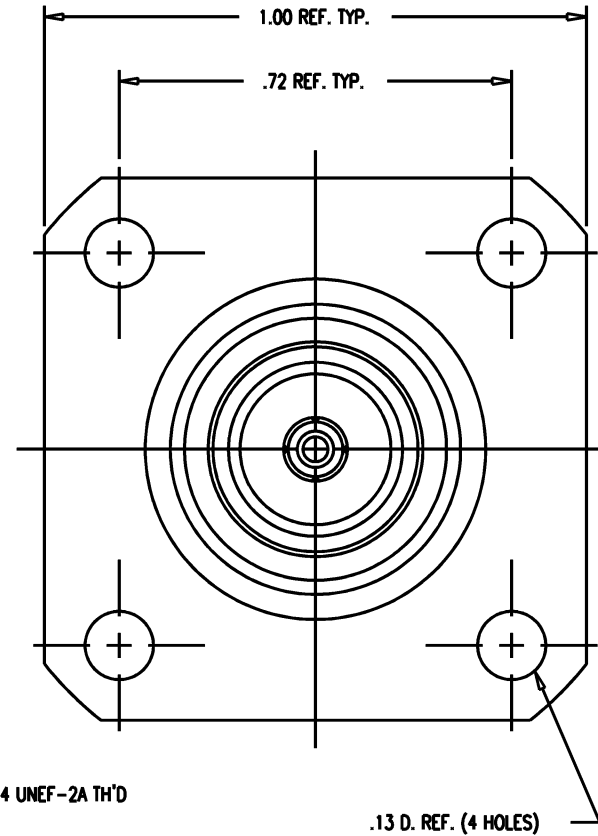
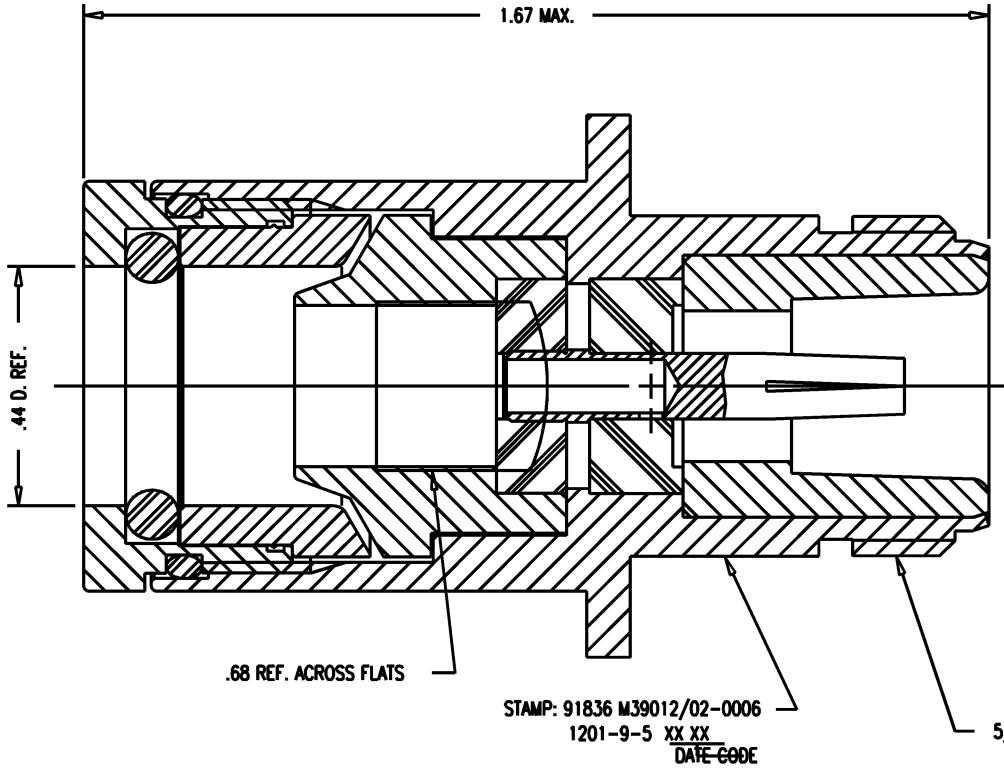


GSD

M39012/02-0006

REVISIONS

ISSUE	CHANGES
0	ER 33571 WJM 12/06/91
1	CN 34652 A JCA 05/11/93
2	CN 37064 A KH 07/25/96



NOTES:

- FOR USE WITH M17/6-RG11, /62-RG144, /65-RG165, /74-213, /75-RG214, /77-RG216, /86-00001 CABLE.
- FOR CABLING INSTRUCTIONS SEE 3-539.
- INTERFACE PER MIL-STD 348, FIG. 304-2.
- MATERIALS:
INSULATORS: TEFLON, ASTM-D-1457
GASKETS: SIL. RUB., QQ-R-765
CENTER CONTACT: BER. COP., ASTM-B-196
ALL OTHER METAL PARTS: BRASS, ASTM-B16
- FINISHES:
CENTER CONTACT: HARD GOLD PLT. PER MIL-G-45204
ALL OTHER METAL PARTS: SILVER PLT. PER QQ-S-365
- ELECTRICAL CHARACTERISTICS:
NOMINAL IMPEDANCE: 50 OHMS
VOLTAGE RATING: 1000 VRMS
FREQUENCY RANGE: DC TO 11 GHz.

1201-9-5 JCA0908

SCALE 4:1	
APPROX SURFACE AREA	
USED ON	
REF:	
JACK, BULKHEAD, N	
DRAWN JCA	08/20/90
DESIGN MJB	08/20/90
APPR.	DATE

KINGS
ELECTRONICS CO., INC.
TUCKAHOE, NEW YORK 10707

M39012/02-0006

GSD