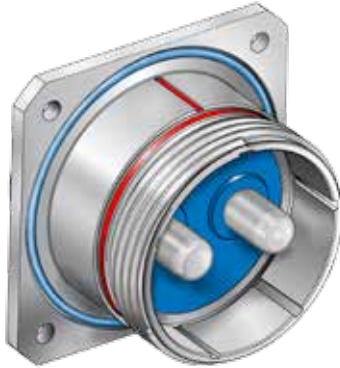


Series 970 PowerTrip™ Connectors and Accessories
Receptacle Connectors
970-013 Low Profile Square Flange Receptacle



970-013 LOW PROFILE RECEPTACLE WITH O-RING



970-013 receptacles feature an O-ring for panel sealing. Low profile for reduced clearance inside equipment. Connector mounting flange is enlarged to include the O-ring. Series 970 PowerTrip™ extreme environment receptacle connectors are intended for high current applications where size 8 AWG to size 1/0 AWG wires are used. Contacts snap into connector and can be removed with a plastic tool. These connectors feature high current LouverBand contacts. Coupling threads are triple-start ACME type. EMI protected with ground spring and splined backshell interface. Standard contacts are silver plated high conductivity copper alloy, or choose gold-plated contacts for improved corrosion protection. Contacts are packaged with connector. Red stripe indicates full mating condition when the plug connector coupling ring fully covers the stripe.

970-013 connectors have a low profile wire separator instead of a thicker watertight rear grommet. These connectors are splashproof but are not rated for water immersion or altitude immersion.

HOW TO ORDER

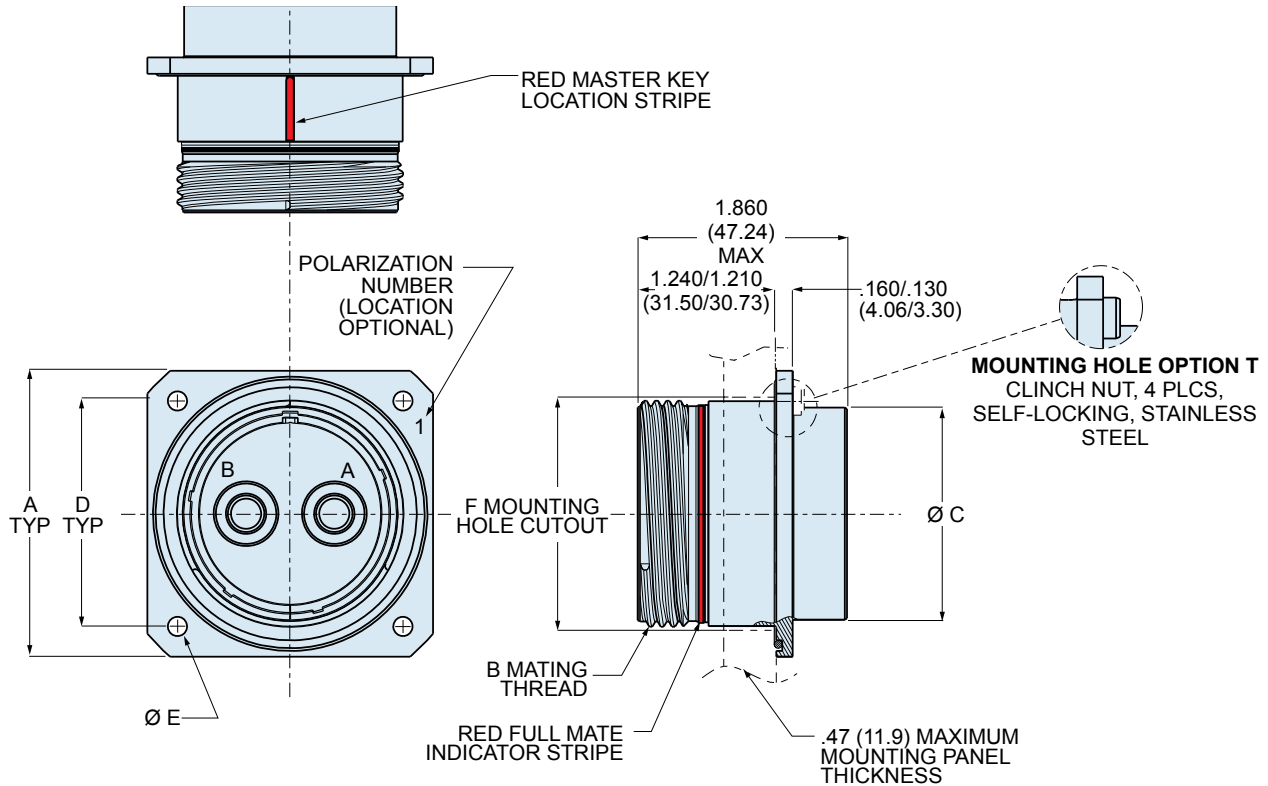
SERIES	SHELL MATL AND FINISH	SHELL SIZE - INSERT ARRANGEMENT						CONTACT TYPE AND PLATING	MOUNTING HOLE OPTION	KEY POS.
970-013 Low Profile Square Flange Panel Mount Receptacle with O-ring Panel Seal	ME Aluminum, Electroless Nickel Finish	Contact Arr.		Contact Size and Qty				P1 Pin Contacts, Silver Plating*	N Thru-Hole	-1 Position 1
		#16	#12	#8	#4	#1/0				
		18-2		2						
		18-4	2	2						
		20-3		3						
		20-4		4						
		20-5	2	3						
		20-7	4	3						
		24-2			2					
		24-3			3					
	MT Aluminum, Nickel-PTFE Finish	24-5		5						
		24-6	4	2						
		24-A6	3	3						
		28-4		4						
		28-8	1	7						
		28-9	5	4						
	NF Aluminum, Olive Drab Cadmium	28-15	15							
		32-2				2				
		32-3				3				
		32-4			2	2				
ZR Aluminum, Black Zinc-Nickel Finish	32-5			5						
	32-6		3		3					
	32-20	1	19							
	36-4				4					
	36-16	3		13						
	40-5				5					
	40-21			21						
	Z1 Passivated Stainless Steel									
						A Pin Connector, without Contacts	-5 Position 5			
						B Socket Connector, without Contacts	-6 Position 6			
Sample Part Number										
970-013	MT	24-5						P1	N	-1





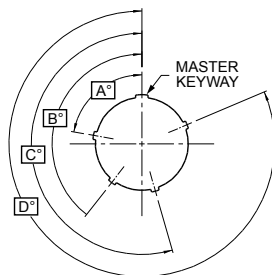
Series 970 PowerTrip™ Connectors and Accessories
Receptacle Connectors
970-013 Low Profile Square Flange Receptacle

970-013 LOW PROFILE RECEPTACLE



DIMENSIONS

Shell Size	A		B Mating Thread	C		D		Ø E		E Clinch Nut Thd	Ø F	
	In.	mm.		In.	mm.	In.	mm.	In.	mm.		In.	mm.
18	1.591	40.41	1.125-.1P-.3L-TS-2A	.972	24.69	1.275	32.39	.146	3.71	6-32 UNC-2B	1.187	30.15
20	1.779	45.19	1.250-.1P-.3L-TS-2A	1.116	28.35	1.408	35.76	.146	3.71	6-32 UNC-2B	1.374	34.90
24	2.029	51.54	1.500-.1P-.3L-TS-2A	1.300	33.02	1.585	40.26	.146	3.71	6-32 UNC-2B	1.562	39.67
28	2.404	61.06	1.750-.1P-.3L-TS-2A	1.604	40.74	1.905	48.39	.170	4.32	8-32 UNC-2B	1.835	46.61
32	2.529	64.24	2.000-.1P-.3L-TS-2A	1.875	47.63	1.993	50.62	.170	4.32	8-32 UNC-2B	2.093	53.16
36	2.654	67.41	2.250-.1P-.3L-TS-2A	2.093	53.16	2.081	52.86	.170	4.32	8-32 UNC-2B	2.302	58.47
40	3.029	76.94	2.500-.1P-.3L-TS-2A	2.310	58.67	2.347	59.61	.170	4.32	8-32 UNC-2B	2.562	65.07



KEY POSITIONS

Position	A°	B°	C°	C°
1	80	142	196	293
2	135	170	200	310
3	49	169	200	244
4	66	140	200	257
5	62	145	180	280
6	79	153	197	272