

Single-Stage Power Factor Corrected Off-Line Switching Regulator ICs

Features and Benefits

- Integrated on-time control circuit (it realizes high power factor by average current control)
- Integrated startup circuit (no external startup circuit necessary)
- Integrated soft-start circuit (reduces power stress during start-up on the incorporated power MOSFET and output rectifier)
- Integrated bias assist circuit (improves startup performance, suppresses V_{CC} voltage droop during operation, and allows use of low-rated ceramic capacitor on VCC pin)
- Integrated Leading Edge Blanking (LEB) circuit
- Integrated maximum on-time limit circuit
- Protection features:
 - Overcurrent protection (OCP): pulse-by-pulse
 - Overvoltage protection (OVP): latched shutdown
 - Overload protection (OLP): latched shutdown
 - Thermal shutdown (TSD): latched shutdown

Package: 8-pin DIP



Not to scale

Description

The LC5560LD series is the power IC for the non-isolated type LED driver which has an incorporated power MOSFET, designed for input capacitorless applications, and making it possible for systems to comply with the harmonics standard (IEC61000-3-2 class C), even during light load condition.

The controller adapts the average current control method for realizing high power factors, and the quasi-resonant topology contributes to high efficiency and low EMI noise. The series is housed in DIP8 packages.

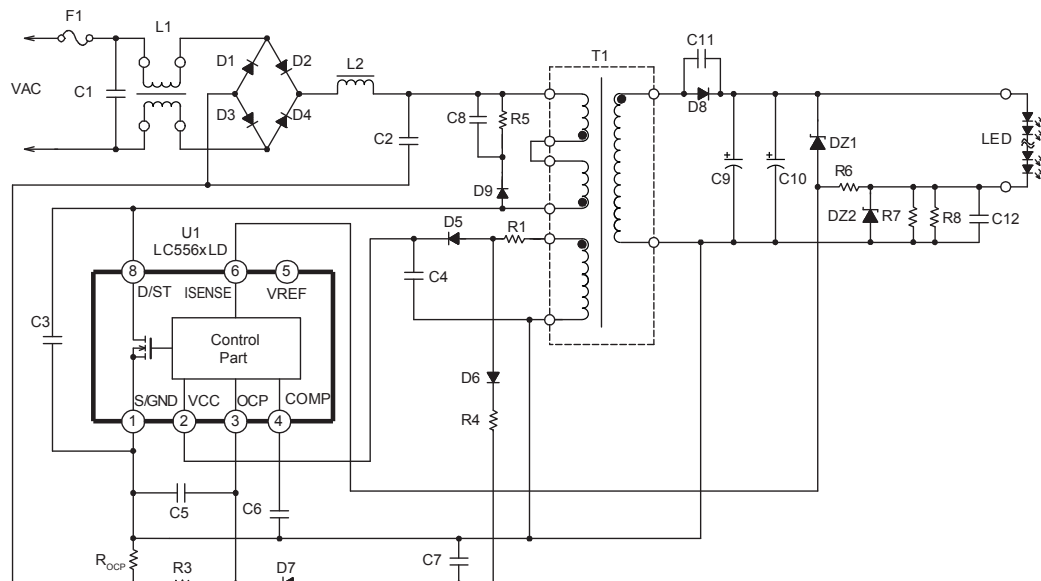
The rich set of protection features helps to realize low component counts, and high performance-to-cost power supply.

The incorporated MOSFET has a $V_{DSS(min)}$ rating of 650 V. The $R_{DS(on)(max)}$ is 1.9 Ω (LC5566LD) to 3.95 Ω (LC5565LD). It is capable of a maximum output power of 20 W on 230 VAC supply to 16 W on universal input supply (85 to 265VAC) (LC5566LD) based on the thermal rating. Note that the maximum output power can be up to 120% to 140% of this value. However, it may be limited in applications with low output voltage or short duty cycle. The PWM oscillation frequency ranges from 60 kHz (LC5566LD) to 72 kHz (LC5565LD).

Applications

- LED lighting fixtures
- LED light bulbs

Typical Application



Selection Guide

Part Number	MOSFET $V_{DS(s)}$ (min) (V)	$R_{DS(on)}$ (max) (Ω)	PWM Operation Frequency, $f_{osc}(typ)$ (kHz)	On-Time $t_{ON(MAX)}(typ)$ (μ s)	P_{OUT}^* (W)	
					230 VAC	85 to 265 VAC
LC5565LD	650	3.95	72	9.3	13	10
LC5566LD	650	1.9	60	11.2	20	16

*Based on the thermal rating; the allowable maximum output power can be up to 120% to 140% of this value. However, maximum output power may be limited in such an application with low output voltage or short duty cycle.

The polarity value for current specifies a sink as "+," and a source as "–," referencing the IC.

Absolute Maximum Ratings Unless specifically noted, T_A is 25°C

Characteristic	Symbol	Notes	Pins	Rating	Unit
Drain Current ¹	I_{DPeak}	LC5565LD	8 – 1	2.5	A
		LC5566LD	8 – 1	4.0	A
Single Pulse Avalanche Energy ²	E_{AS}	LC5565LD	8 – 1	47	mJ
		LC5566LD	8 – 1	86	mJ
Control Part Input Voltage	V_{CC}		2 – 1	35	V
OCP Pin Voltage	V_{OCP}		3 – 1	–2.0 to 5.0	V
COMP Pin Voltage	V_{COMP}		4 – 1	–0.3 to 7.0	V
VREF Pin Voltage	V_{REF}		5 – 1	–0.3 to 5.0	V
ISENSE Pin Voltage	V_{SEN}		6 – 1	–0.3 to 5.0	V
Allowable Power Dissipation of MOSFET ³	P_{D1}	Mounted on a 15 mm × 15 mm PCB	8 – 1	0.97	W
Operating Ambient Temperature	T_{OP}		—	–55 to 125	°C
Storage Temperature	T_{stg}		—	–55 to 125	°C
Channel Temperature	T_{ch}		—	150	°C

¹Refer to MOSFET Safe Operating Area Curve.

²Refer to MOSFET Avalanche Energy Derating Coefficient Curve.

³Refer to MOSFET Temperature versus Power Dissipation Curve.

LC5560LD Series

Single-Stage Power Factor Corrected Off-Line Switching Regulator ICs

Electrical Characteristics of Control Part Unless specifically noted, T_A is 25°C, V_{CC} is 20 V

Characteristic	Symbol	Test Conditions	Pins	Min.	Typ.	Max.	Unit
Power Supply Startup Operation							
Operation Start Voltage	$V_{CC(ON)}$		2 – 1	13.8	15.1	17.3	V
Operation Stop Voltage*	$V_{CC(OFF)}$		2 – 1	8.4	9.4	10.7	V
Circuit Current in Operation	$I_{CC(ON)}$		2 – 1	–	–	4.7	mA
Startup Circuit Operation Voltage	$V_{STARTUP}$		8 – 1	18	21	24	V
Startup Current	$I_{CC(STARTUP)}$	$V_{CC} = 13 V$	2 – 1	–8.5	–4.0	–1.5	mA
Startup Current Threshold Biasing Voltage*	$V_{CC(BIAS)}$		2 – 1	9.5	11.0	12.5	V
Normal Operation							
PWM Operation Frequency	f_{OSC}	LC5565LD	8 – 1	60	72	84	kHz
		LC5566LD		50	60	70	kHz
Maximum On-Time	$t_{ON(MAX)}$	LC5565LD	8 – 1	8.0	9.3	11.2	μs
		LC5566LD		9.0	11.2	13.4	μs
COMP Pin Control Minimum Voltage	$V_{COMP(MIN)}$		4 – 1	0.30	0.55	0.80	V
Error Amplifier Reference Voltage	$V_{SEN(TH)}$		6 – 1	0.312	0.335	0.358	V
Error Amplifier Source Current	$I_{SEN(SOURCE)}$		4 – 1	–22	–14	–6	μA
Error Amplifier Sink Current	$I_{SEN(SINK)}$		4 – 1	6	14	22	μA
Leading Edge Blanking Time	$t_{ON(LEB)}$		3 – 1	–	600	–	ns
Quasi-Resonant Operation Threshold Voltage-1	$V_{BD(TH1)}$		3 – 1	0.14	0.24	0.34	V
Quasi-Resonant Operation Threshold Voltage-2	$V_{BD(TH2)}$		3 – 1	0.11	0.16	0.21	V
Protection Operation							
OCP Pin Overcurrent Protection (OCP) Threshold Voltage	V_{OCP}		3 – 1	–0.66	–0.60	–0.54	V
OCP Pin Source Current	I_{OCP}		3 – 1	–120	–40	–10	μA
OCP Pin Overvoltage Protection (OVP) Operation Voltage	$V_{BD(OVP)}$		3 – 1	2.2	2.6	3.0	V
Overload Protection (OLP) Threshold Voltage	$V_{COMP(OLP)}$		4 – 1	4.1	4.5	4.9	V
ISENSE Pin OVP Threshold Voltage	$V_{SEN(OVP)}$		6 – 1	1.6	2.0	2.4	V
VCC Pin OVP Threshold Voltage	$V_{CC(OVP)}$		2 – 1	28.5	31.5	34.0	V
Thermal Shutdown Activating Temperature	$T_{J(TSD)}$		–	135	–	–	°C

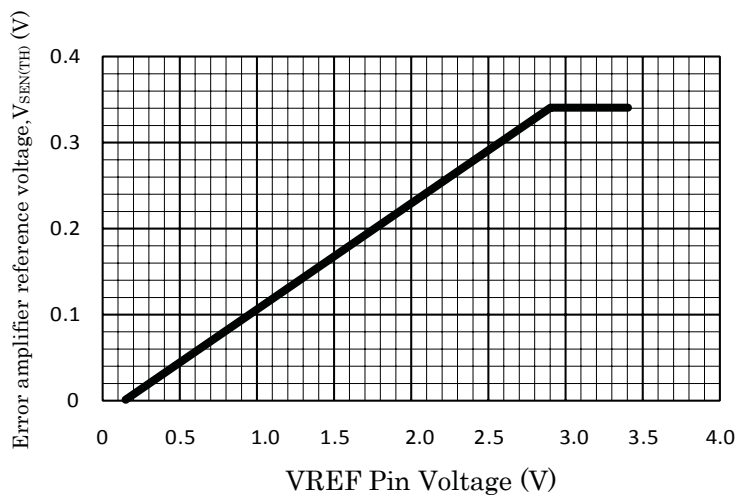
* $V_{CC(BIAS)} > V_{CC(OFF)}$ always.

Electrical Characteristics of MOSFET Unless specifically noted, T_A is 25°C

Characteristic	Symbol		Test Conditions	Pins	Min.	Typ.	Max.	Unit
Drain-to-Source Breakdown Voltage	V_{DSS}			8 – 1	650	—	—	V
Drain Leakage Current	I_{DSS}			8 – 1	—	—	300	μ A
On-Resistance	$R_{DS(on)}$	LC5565LD		8 – 1	—	—	3.95	Ω
		LC5566LD			—	—	1.9	Ω
Switching Time	t_f	LC5565LD		8 – 1	—	—	250	ns
		LC5566LD			—	—	400	ns
Thermal Resistance*	$R_{\theta ch-c}$	LC5565LD		—	—	—	42	$^{\circ}$ C/W
		LC5566LD			—	—	35.5	$^{\circ}$ C/W

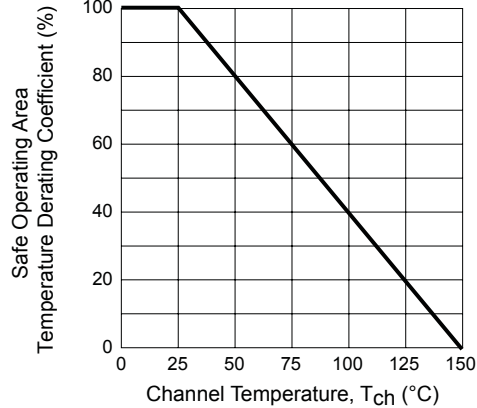
*The thermal resistance between the channels of the MOSFET and the case. T_C measured at the center of the case top surface.

VREF Pin Voltage versus $V_{SEN(TH)}$ Curve

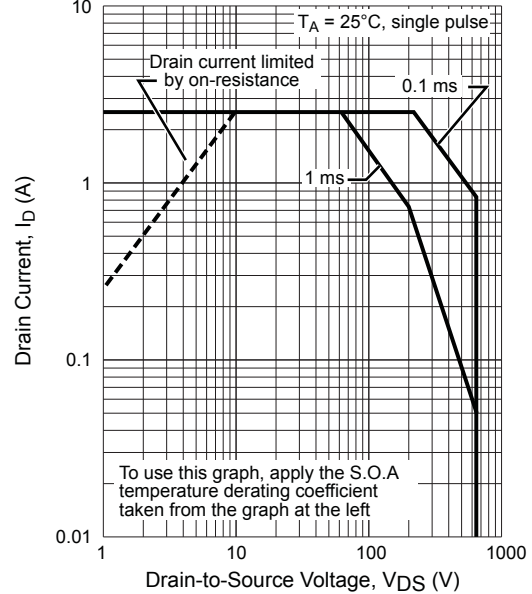


Characteristic Performance LC5565LD

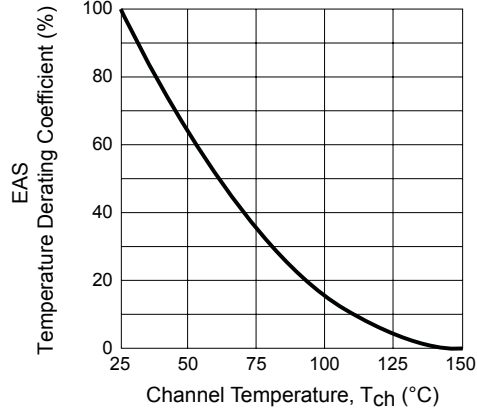
S. O. A. Temperature Derating Coefficient Curve



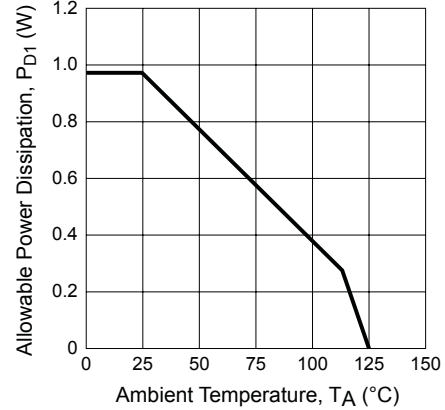
MOSFET Safe Operating Area Curve



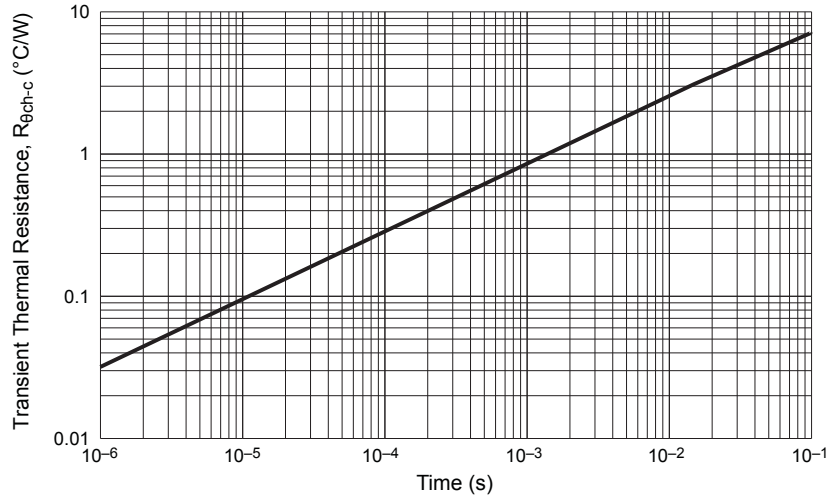
MOSFET Avalanche Energy Derating Coefficient Curve



MOSFET Temperature versus Power Dissipation Curve

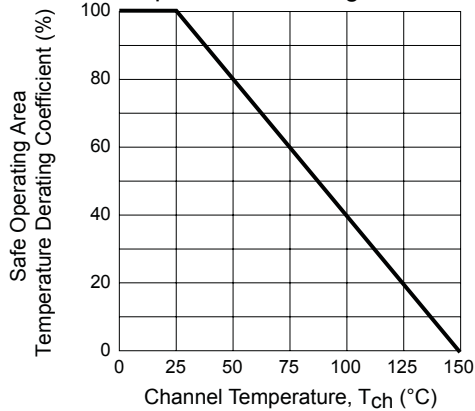


Transient Thermal Resistance Curve

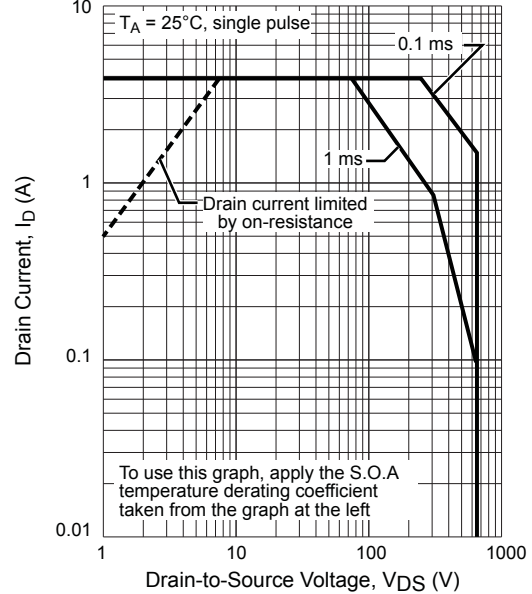


Characteristic Performance LC5566LD

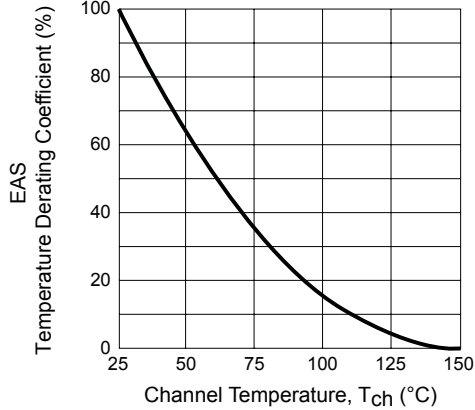
S. O. A. Temperature Derating Coefficient Curve



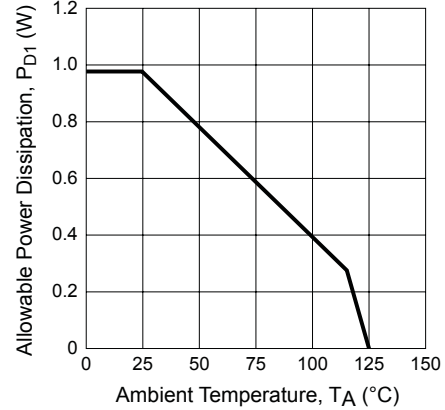
MOSFET Safe Operating Area Curve



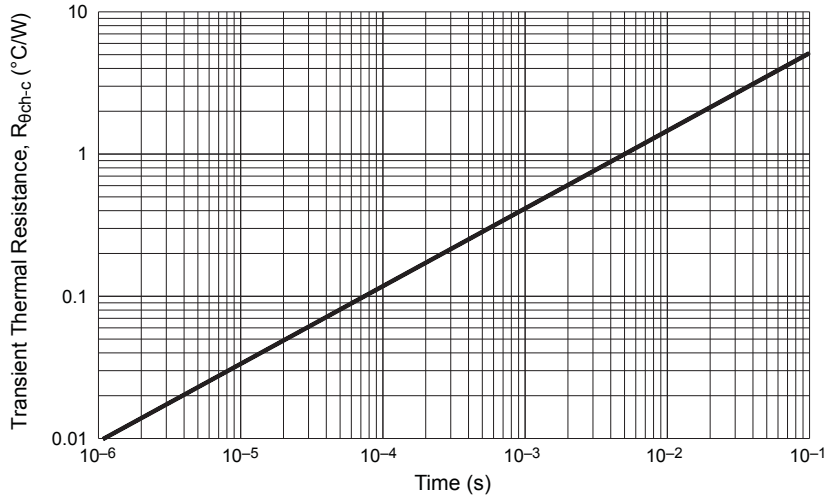
MOSFET Avalanche Energy Derating Coefficient Curve



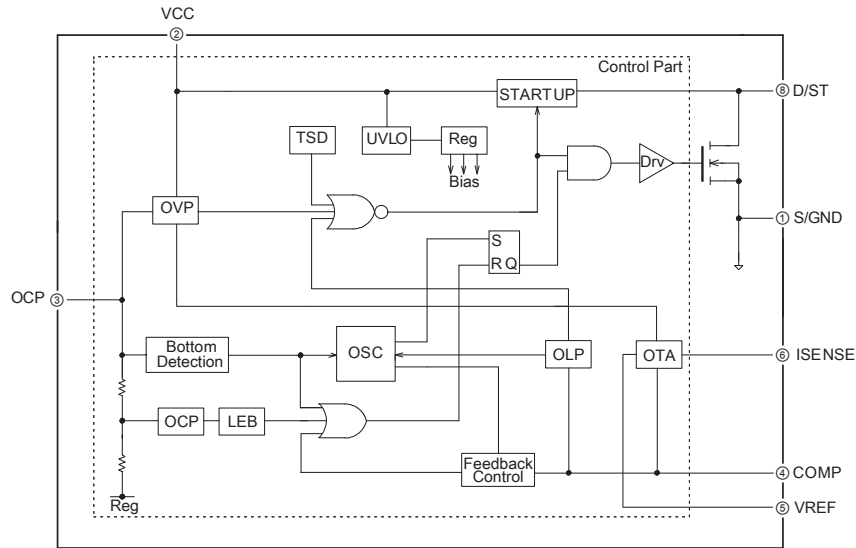
MOSFET Temperature versus Power Dissipation Curve



Transient Thermal Resistance Curve



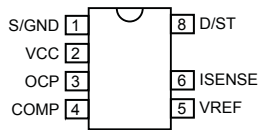
Functional Block Diagram



Pin List Table

Number	Name	Function
1	S/GND	MOSFET source and GND pin for the Control Part
2	VCC	Supply voltage input and Overvoltage Protection (OVP) signal input
3	OCP	Overcurrent Protection (OCP), quasi-resonant signal input, and Overvoltage Protection (OVP) signal input
4	COMP	Feedback phase-compensation input
5	VREF	Dimming control signal input
6	ISENSE	Output current detecting voltage input and Overvoltage Protection (OVP) signal input
7	–	Pin removed
8	D/ST	MOSFET drain pin and input of the startup current

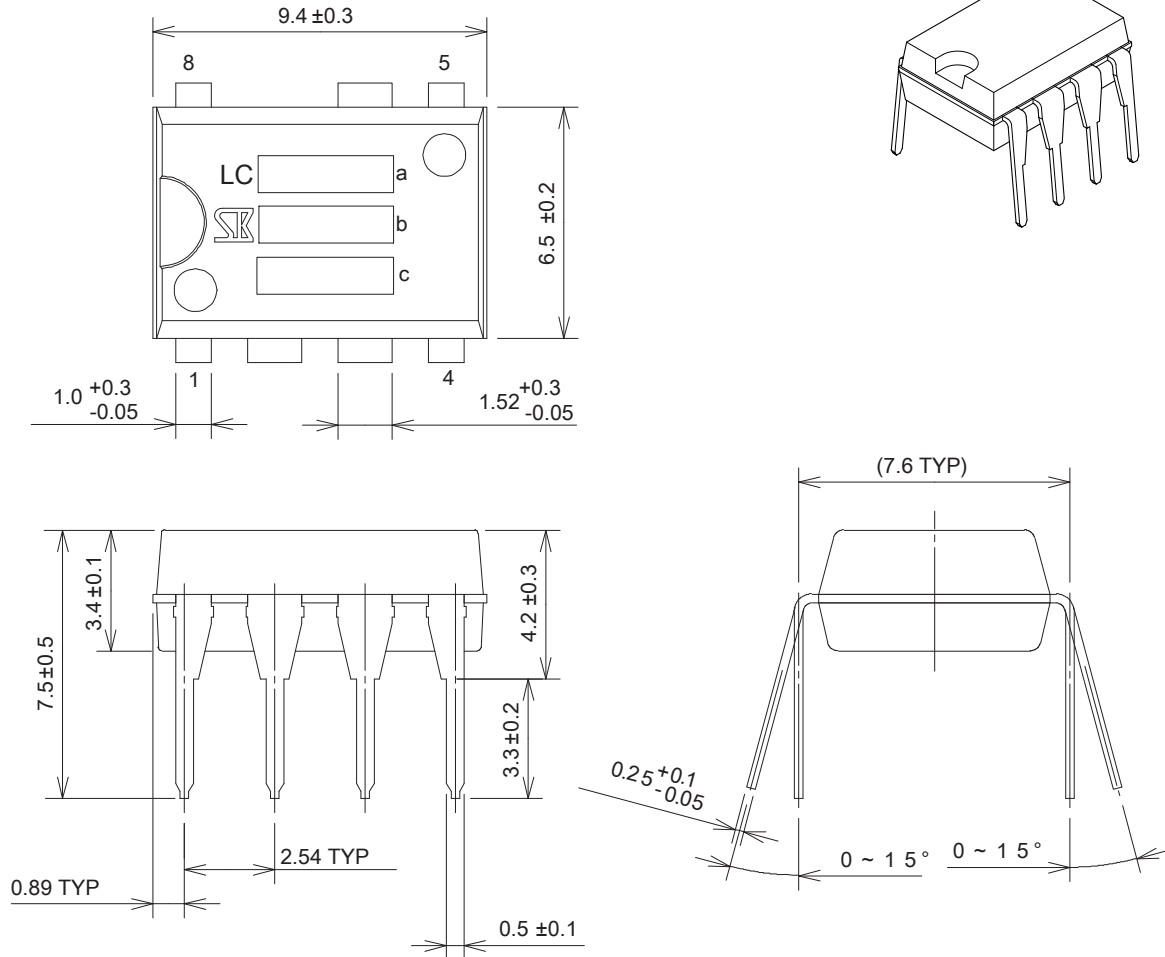
Pin-out Diagram



LC5560LD Series

Single-Stage Power Factor Corrected Off-Line Switching Regulator ICs

Package Diagram DIP8 package



Unit: mm

- a: Part #: 556x
- b: Lot number 3 digits, plus L
 - 1st letter: Last digit of year
 - 2nd letter: Month
 - Jan to September: Numeric
 - October: O
 - November: N
 - December: D
 - 3rd letter: Week
 - Date 1 to 10: 1
 - Date 11 to 20: 2
 - Date 21 to 31: 3
- c: Sanken control number



*Pb-free. Device composition compliant
with the RoHS directive.*

Because reliability can be affected adversely by improper storage environments and handling methods, please observe the following cautions.

Cautions for Storage

- Ensure that storage conditions comply with the standard temperature (5°C to 35°C) and the standard relative humidity (around 40% to 75%); avoid storage locations that experience extreme changes in temperature or humidity.
- Avoid locations where dust or harmful gases are present and avoid direct sunlight.
- Reinspect for rust on leads and solderability of the products that have been stored for a long time.

Cautions for Testing and Handling

When tests are carried out during inspection testing and other standard test periods, protect the products from power surges from the testing device, shorts between the product pins, and wrong connections. Ensure all test parameters are within the ratings specified by Sanken for the products.

Remarks About Using Silicone Grease with a Heatsink

- When silicone grease is used in mounting the products on a heatsink, it shall be applied evenly and thinly. If more silicone grease than required is applied, it may produce excess stress.
- Volatile-type silicone greases may crack after long periods of time, resulting in reduced heat radiation effect. Silicone greases with low consistency (hard grease) may cause cracks in the mold resin when screwing the products to a heatsink.

Our recommended silicone greases for heat radiation purposes, which will not cause any adverse effect on the product life, are indicated below:

Type	Suppliers
G746	Shin-Etsu Chemical Co., Ltd.
YG6260	Momentive Performance Materials
SC102	Dow Corning Toray Co., Ltd.

Soldering

- When soldering the products, please be sure to minimize the working time, within the following limits:
260±5°C 10±1 s (Flow, 2 times)
380±10°C 3.5±0.5 s (Soldering iron, 1 time)
- Soldering should be at a distance of at least 1.5 mm from the body of the products.

Electrostatic Discharge

- When handling the products, the operator must be grounded. Grounded wrist straps worn should have at least 1 MΩ of resistance from the operator to ground to prevent shock hazard, and it should be placed near the operator.
- Workbenches where the products are handled should be grounded and be provided with conductive table and floor mats.
- When using measuring equipment such as a curve tracer, the equipment should be grounded.
- When soldering the products, the head of soldering irons or the solder bath must be grounded in order to prevent leak voltages generated by them from being applied to the products.
- The products should always be stored and transported in Sanken shipping containers or conductive containers, or be wrapped in aluminum foil.

-
- The contents in this document are subject to changes, for improvement and other purposes, without notice. Make sure that this is the latest revision of the document before use.
 - Application and operation examples described in this document are quoted for the sole purpose of reference for the use of the products herein and Sanken can assume no responsibility for any infringement of industrial property rights, intellectual property rights or any other rights of Sanken or any third party which may result from its use.
 - Although Sanken undertakes to enhance the quality and reliability of its products, the occurrence of failure and defect of semiconductor products at a certain rate is inevitable. Users of Sanken products are requested to take, at their own risk, preventative measures including safety design of the equipment or systems against any possible injury, death, fires or damages to the society due to device failure or malfunction.
 - Sanken products listed in this document are designed and intended for the use as components in general purpose electronic equipment or apparatus (home appliances, office equipment, telecommunication equipment, measuring equipment, etc.).

When considering the use of Sanken products in the applications where higher reliability is required (transportation equipment and its control systems, traffic signal control systems or equipment, fire/crime alarm systems, various safety devices, etc.), and whenever long life expectancy is required even in general purpose electronic equipment or apparatus, please contact your nearest Sanken sales representative to discuss, prior to the use of the products herein.

The use of Sanken products without the written consent of Sanken in the applications where extremely high reliability is required (aerospace equipment, nuclear power control systems, life support systems, etc.) is strictly prohibited.

- In the case that you use Sanken products or design your products by using Sanken products, the reliability largely depends on the degree of derating to be made to the rated values. Derating may be interpreted as a case that an operation range is set by derating the load from each rated value or surge voltage or noise is considered for derating in order to assure or improve the reliability. In general, derating factors include electric stresses such as electric voltage, electric current, electric power etc., environmental stresses such as ambient temperature, humidity etc. and thermal stress caused due to self-heating of semiconductor products. For these stresses, instantaneous values, maximum values and minimum values must be taken into consideration.

In addition, it should be noted that since power devices or IC's including power devices have large self-heating value, the degree of derating of junction temperature affects the reliability significantly.

- When using the products specified herein by either (i) combining other products or materials therewith or (ii) physically, chemically or otherwise processing or treating the products, please duly consider all possible risks that may result from all such uses in advance and proceed therewith at your own responsibility.
- Anti radioactive ray design is not considered for the products listed herein.
- Sanken assumes no responsibility for any troubles, such as dropping products caused during transportation out of Sanken's distribution network.
- The contents in this document must not be transcribed or copied without Sanken's written consent.