



SP4T Electromechanical Relay Switch DC to 46 GHz, 2.92mm,
 10 Watts, 28V Control with Latching, Indicators, TTL

TECHNICAL DATA SHEET

PE71S6141

The PE71S6141 is Single Pole Four Throw Switch that operates from DC to 40 GHz. The switch has a latching actuator, Indicators and 1M life cycles. The switch has an operating voltage of 12 Volts and has TTL Control.

Features

- SP4T Switch
- DC to 40 GHz Operating Frequency Range
- 1 M Cycles min
- Normally Open Switch
- Indicators
- TTL Control
- Set Reset Circuitry
- Switching Sequence Break Before Make

Applications

- Test & Measurement
- Communications System
- Instrumentation

Electrical Specifications

Frequency Range	DC to 46 GHz
Impedance	50 Ohms
Actuator	Latching, Indicators, TTL Logic
Actuating Current	200 mA
Control Voltage	28 Volts
RF Input Power (Max CW)	10 Watts

RF Characteristic

Description	Band 1	Band 2	Band 3	Band 4	Band 5	Units
Frequency Range	DC to 6	6 to 12	12 to 18	18 to 26.5	26.5 to 46	GHz
VSWR, Max	1.3:1	1.4:1	1.5:1	1.7:1	2:1	
Insertion Loss, Max	0.2	0.4	0.5	0.7	0.9	dB
Isolation, Min	70	60	60	55	50	dB

Mechanical Specifications

Connector Type	2.92mm Female
Operating Life	1,000,000
Terminals	Solder Pins
Switching Time (nominal voltage, 25°C)	<15 ms Typ

Environmental Specifications

Temperature	
Operating Range	-35 to +85 deg C
Environment	MIL-DTL-3928
Housing Material and Plating	Aluminum

Click the following link (or enter part number in "SEARCH" on website) to obtain additional part information including price, inventory and certifications: [SP4T Electromechanical Relay Switch DC to 46 GHz, 2.92mm, 10 Watts, 28V Control with Latching, Indicators, TTL PE71S6141](#)



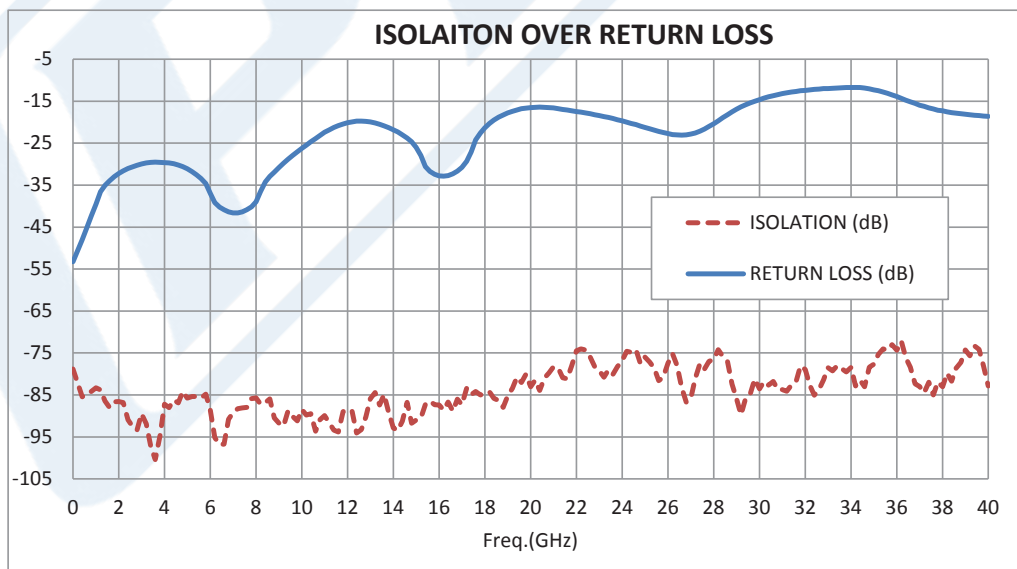
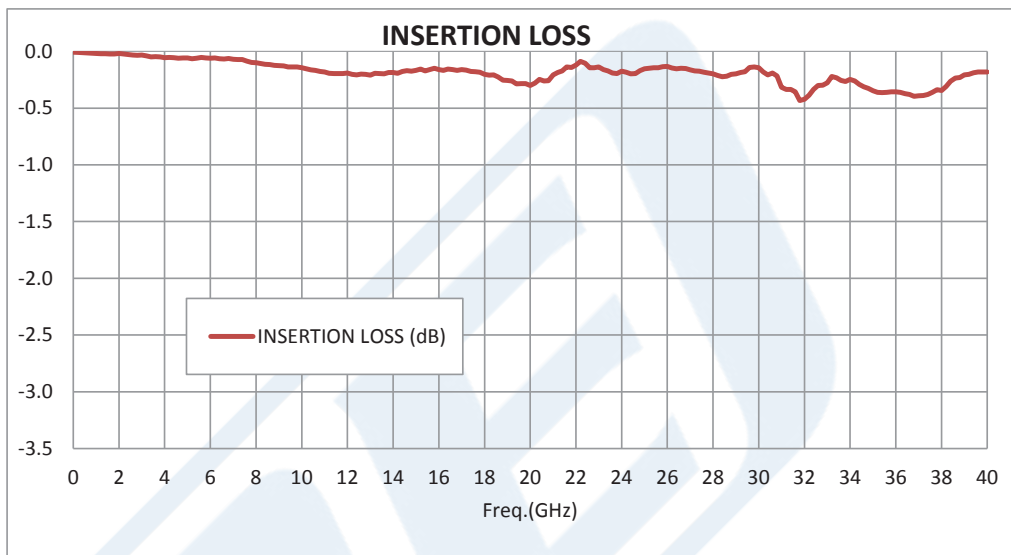


SP4T Electromechanical Relay Switch DC to 46 GHz, 2.92mm,
10 Watts, 28V Control with Latching, Indicators, TTL

TECHNICAL DATA SHEET

PE71S6141

Typical Performance Data



Click the following link (or enter part number in "SEARCH" on website) to obtain additional part information including price, inventory and certifications: [SP4T Electromechanical Relay Switch DC to 46 GHz, 2.92mm, 10 Watts, 28V Control with Latching, Indicators, TTL PE71S6141](#)





SP4T Electromechanical Relay Switch DC to 46 GHz, 2.92mm,
10 Watts, 28V Control with Latching, Indicators, TTL

TECHNICAL DATA SHEET

PE71S6141

SP4T Electromechanical Relay Switch DC to 46 GHz, 2.92mm, 10 Watts, 28V Control with Latching, Indicators, TTL from Pasternack Enterprises has same day shipment for domestic and International orders. Our RF, microwave and millimeter wave products maintain a 99% availability and are part of the broadest selection in the industry.

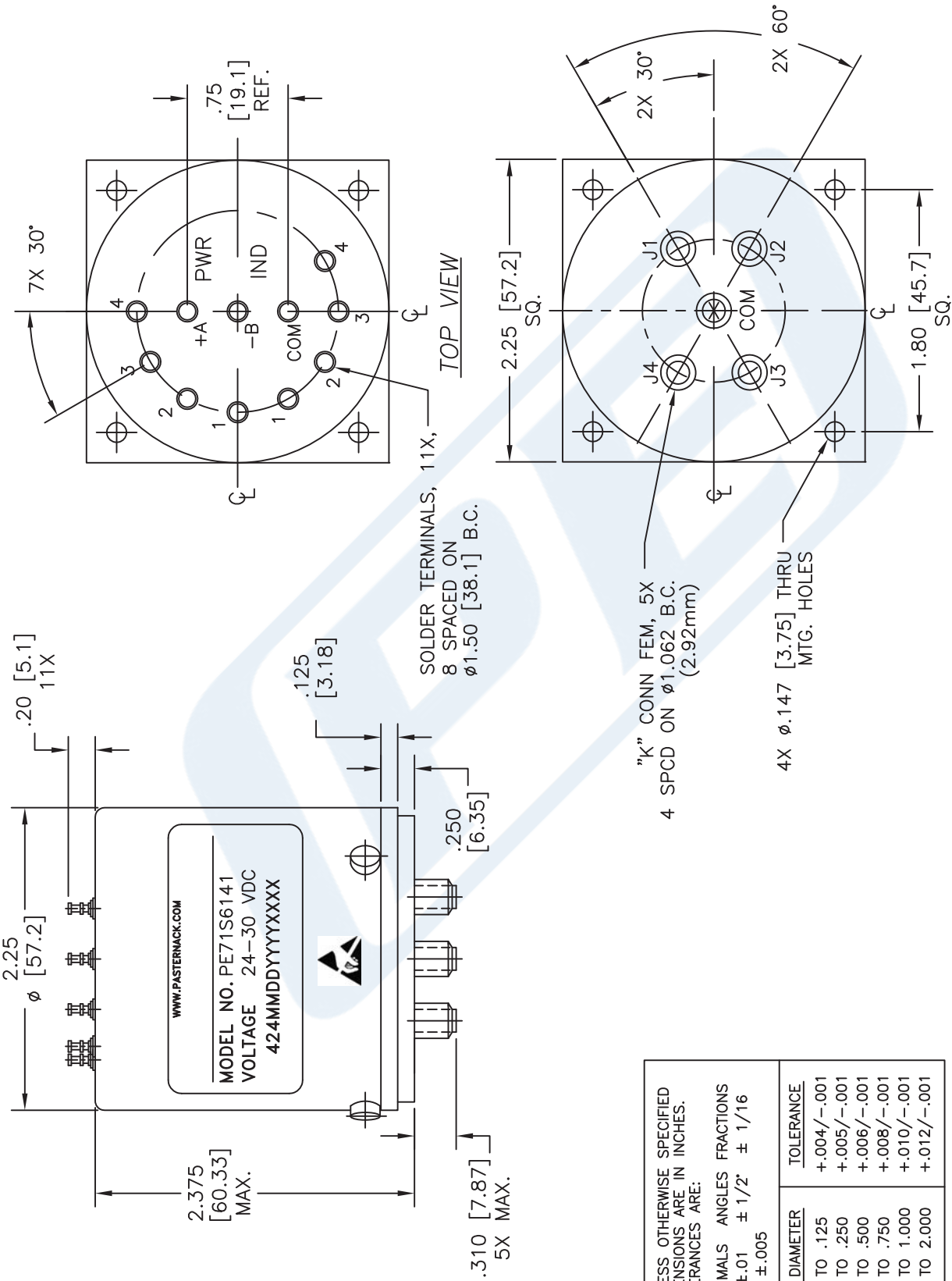
Click the following link (or enter part number in "SEARCH" on website) to obtain additional part information including price, inventory and certifications: [SP4T Electromechanical Relay Switch DC to 46 GHz, 2.92mm, 10 Watts, 28V Control with Latching, Indicators, TTL PE71S6141](http://www.pasternack.com/2.92mm-sp4t-electromechanical-relay-switch-46-ghz-latching-indicators-ttl-logic-pe71s6141)

URL: <http://www.pasternack.com/2.92mm-sp4t-electromechanical-relay-switch-46-ghz-latching-indicators-ttl-logic-pe71s6141-p.aspx>

The information contained in this document is accurate to the best of our knowledge and representative of the part described herein. It may be necessary to make modifications to the part and/or the documentation of the part, in order to implement improvements. Pasternack reserves the right to make such changes as required. Unless otherwise stated, all specifications are nominal. Pasternack does not make any representation or warranty regarding the suitability of the part described herein for any particular purpose, and Pasternack does not assume any liability arising out of the use of any part or documentation.

PE71S6141 CAD Drawing

SP4T Electromechanical Relay Switch DC to 46 GHz, 2.92mm, 10 Watts, 28V Control with Latching, Indicators, TTL



UNLESS OTHERWISE SPECIFIED DIMENSIONS ARE IN INCHES. TOLERANCES ARE:

HOLE DIAMETER	TOLERANCE
.0135 TO .125	+0.004/-0.001
.126 TO .250	+0.005/-0.001
.251 TO .500	+0.006/-0.001
.501 TO .750	+0.008/-0.001
.751 TO 1.000	+0.010/-0.001
1.001 TO 2.000	+0.012/-0.001

DECIMALS ANGLES FRACTIONS
.XX ±.01 ± 1/2" ± 1/16
.XXX ±.005

* THESE DIMENSIONS AND TOLERANCES SUPERSEDE NOTE #1 ON TITLE BLOCK.

DWG TITLE
PE71S6141

NOTES:
1. UNLESS OTHERWISE SPECIFIED ALL DIMENSIONS ARE NOMINAL.
2. ALL SPECIFICATIONS ARE SUBJECT TO CHANGE WITHOUT NOTICE AT ANY TIME.
3. DIMENSIONS ARE IN INCHES [mm].

FSCM NO. 53919

CAD FILE 022615

SCALE N/A

SIZE A

200

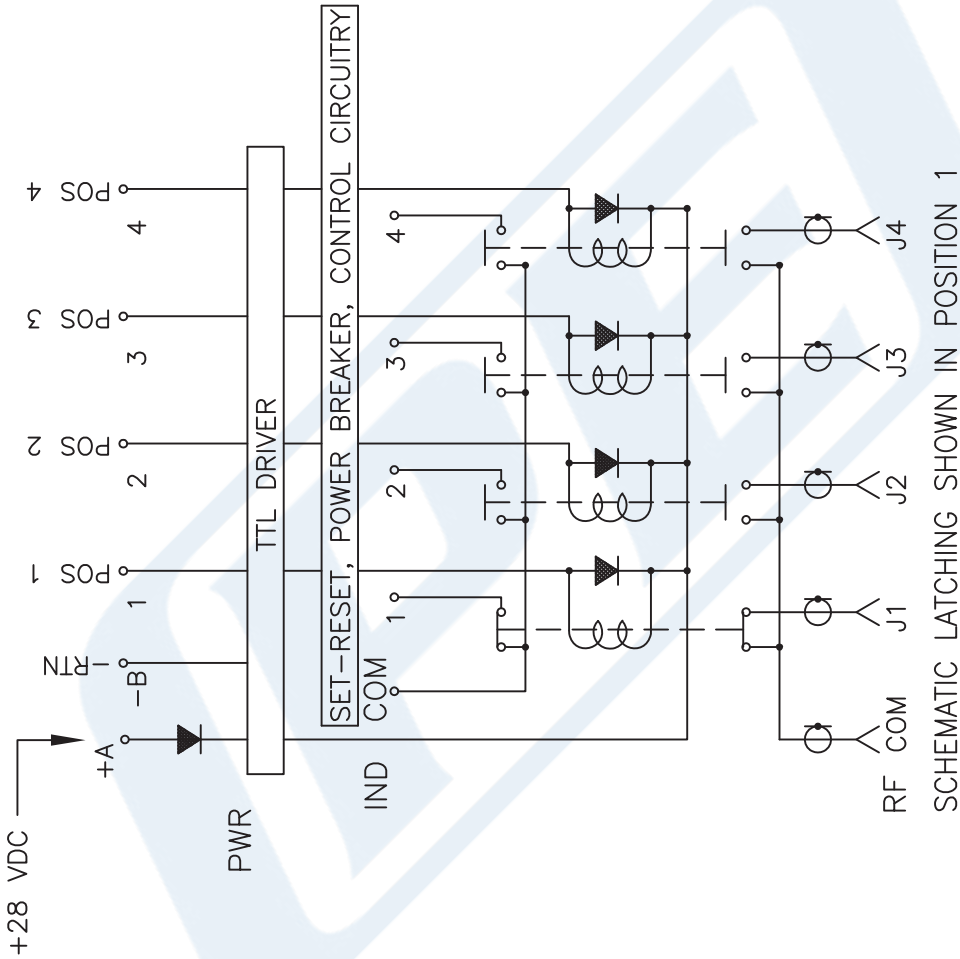
PE PASTERNAK
THE ENGINEER'S RF SOURCE

Pasternack Enterprises, Inc.
P.O. Box 16759 | Irvine | CA | 92623

Phone: (949) 261-1920 | Fax: (949) 261-7451
Website: www.pasternack.com | E-Mail: sales@pasternack.com

PE71S6141 CAD Drawing

SP4T Electromechanical Relay Switch DC to 46 GHz, 2.92mm, 10 Watts, 28V Control with Latching, Indicators, TTL



NOTES:
 1. UNLESS OTHERWISE SPECIFIED ALL DIMENSIONS ARE NOMINAL.
 2. ALL SPECIFICATIONS ARE SUBJECT TO CHANGE WITHOUT NOTICE AT ANY TIME.
 3. DIMENSIONS ARE IN INCHES [mm].

DWG TITLE
PE71S6141

FSCM NO. 53919

200

(PE) PASTERNAK®
 THE ENGINEER'S RF SOURCE
 Pasternack Enterprises, Inc.
 P.O. Box 16759 | Irvine | CA | 92623
 Phone: (949) 261-1920 | Fax: (949) 261-7451
 Website: www.pasternack.com | E-Mail: sales@pasternack.com