

Rev	AWO #	Description	Date	Appr
-		RELEASED	1/08/10	

6

5

4

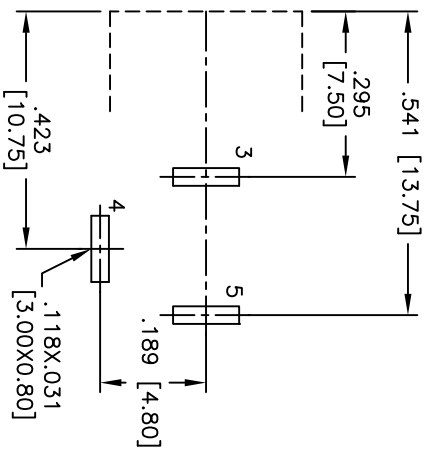
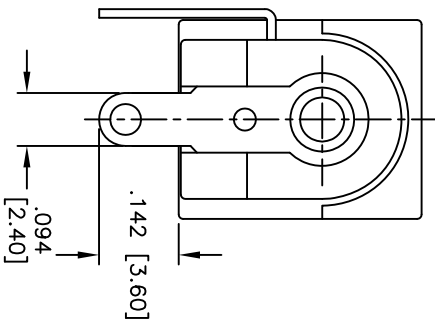
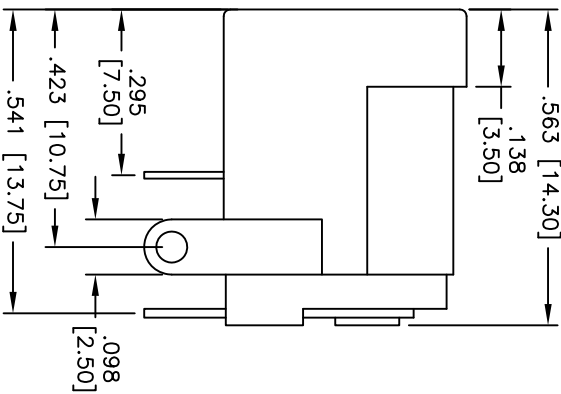
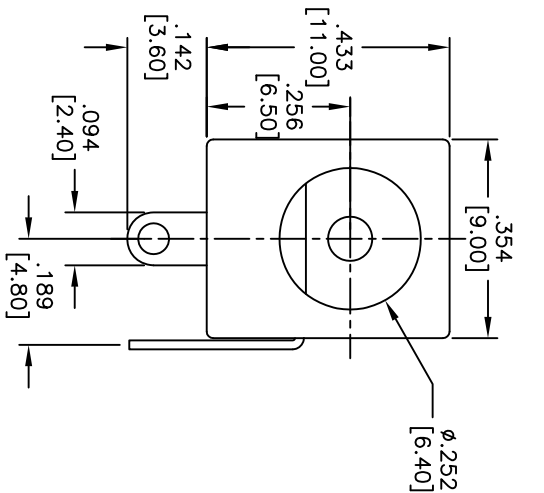
3

2

1

APPROVED: _____

DATE: _____ TITLE: _____

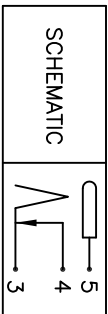


B

B

SPECIFICATIONS:

- Material: Insulator: PBT, rated UL 94V-0
- Insulator color: Black
- Contacts: Copper Alloy
- Plating: Tin over Copper underplate overall
- Electrical: Operating voltage: 30 VDC max. Current rating: 1.0 Amp max. Contact resistance: 30 mohms max. initial Insulation resistance: 100 Mohms min. Dielectric withstanding voltage: 500 VAC for 1 minute Temperature Rating: Operating temperature: -25°C to +70°C Environmental: Lead free, RoHS compliant Recommended soldering temp: 235°C for 5 sec.



P/N	Center Pin Dia
ADC-002F-1	2.00 mm
ADC-002F-2	2.50 mm

A

A

ADAM TECH

909 Rahway Avenue, Union, NJ 07083
 Phone: 908-687-5000 Fax: 908-687-5710

DC POWER JACK, 2.00mm, 2.50mm CENTER PIN

UNLESS OTHERWISE SPECIFIED ALL DIMENSIONS ARE INCHES [MM]	
TOLERANCES: EXCEPT AS NOTED INCHES	
.X ± .10	ØX ± .10
.XX ± .020	ØXX ± .015
.XXX ± .015	ØXXX ± .010
APPROVALS	DATE
DRAWN DY	1/08/10
CHECKED	
APPROVED	

TITLE		SIZE		PART NO.		REV.	
DC POWER JACK, 2.00mm, 2.50mm CENTER PIN		X		ADC-002F-X		-	
REF: S00040C		SCALE: NTS		SHEET 1 OF 1			



6

5

4

3

2

1