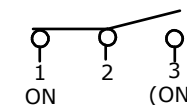
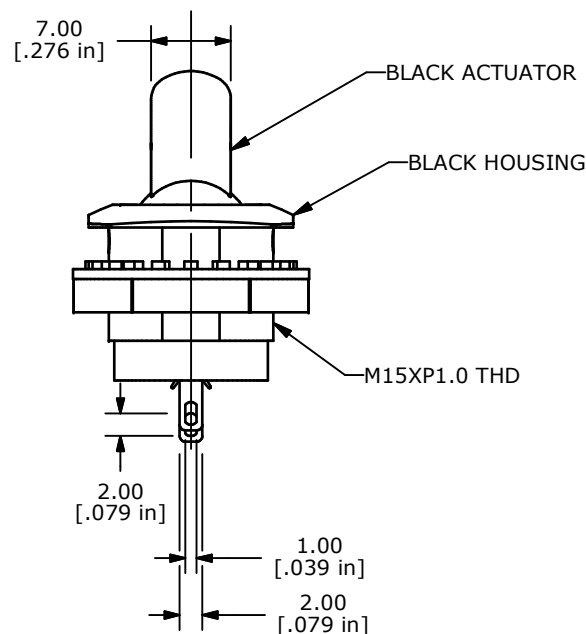
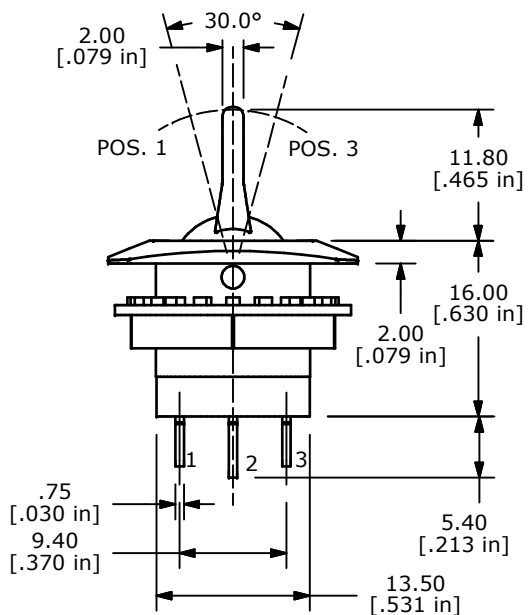
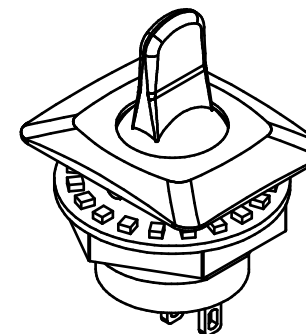


RECOMMENDED PANEL MOUNTING
6MM PANEL THICKNESS MAX.



CIRCUIT: 3P. SPDT
CONTACT CONFIGURATION
(ON) MOMENTARY

SWITCH FUNCTION		
POS. 1	POS. 2	POS. 3
ON	NONE	(ON)
2-3	N/A	2-1

NOTES:

1. ALL DIMENSIONS IN MM [INCH]
2. GENERAL TOLERANCE: 0.0±0.4
0.00±0.25
3. TERM. NOS. FOR REF. ONLY
4. RATING: 6A @125V, 3A @250VAC
5. CONTACT RESISTANCE: 50m ohm Max. (INITIAL)
6. INSULATION RESISTANCE: DC 500V 100M ohm Min.
7. DIELECTRIC STRENGTH: AC 1500V 1 minute.
8. ▲DENOTES CRITICAL PARAMETER.
9. 2002/95/EC (RoHS) COMPLIANT.



TITLE RR3402E

A	19415	RELEASE FOR PRODUCTION	11/11/10	BMA
REV	PCR NO	DESCRIPTION	DATE	BY

SCALE	DATE	DR	DWG	REV
1.5:1	11/10/2010	BMA	F030027	A

THE INFORMATION CONTAINED IN THIS DOCUMENT IS PROPRIETARY TO E-SWITCH AND IS NOT TO BE COPIED OR TRANSFERRED