



YENYO

EF101G THRU EF106G

Glass Passivated Efficient Fast Recovery Rectifier

Features

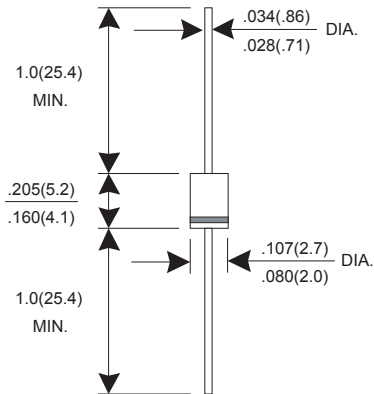
- ★ Fast switching for high efficiency
- ★ Low forward voltage drop
- ★ High current capability
- ★ Low reverse leakage current
- ★ High surge current capability

Mechanical Data

- ★ Case: Molded plastic DO-41
- ★ Epoxy: UL 94V-0 rate flame retardant
- ★ Terminals: Solderable per MIL-STD-202 method 208 guaranteed
- ★ Polarity: Color band denotes cathode
- ★ Mounting position: Any
- ★ Weight: 0.34 gram

**Voltage Range 50 to 600 V
Current 1.0 Ampere**

DO-41



Dimensions in inches and (millimeters)

MAXIMUM RATINGS AND ELECTRICAL CHARACTERISTICS

Rating at 25°C ambient temperature unless otherwise specified.

Single phase, half wave, 60Hz, resistive or inductive load.

For capacitive load, derate current by 20%.

PARAMTER	SYMBOL	EF101G	EF102G	EF103G	EF105G	EF106G	UNIT
Maximum Recurrent Peak Reverse Voltage	VRRM	50	100	200	400	600	V
Maximum RMS Voltage	VRMS	35	70	140	280	420	V
Maximum DC Blocking Voltage	VDC	50	100	200	400	600	V
Maximum Average Forward Rectified Current $T_L=55^\circ\text{C}$	IF(AV)	1.0					A
Peak Forward Surge Current, 8.3ms single Half sine-wave superimposed on rated load (JEDEC method)	IFSM	35			30		A
Maximum Instantaneous Forward Voltage @ 1.0 A	VF	0.875			1.1	1.25	V
Maximum DC Reverse Current @ $T_J=25^\circ\text{C}$ At Rated DC Blocking Voltage @ $T_J=125^\circ\text{C}$	IR	5.0			100		uA uA
Maximum Reverse Recovery Time (Note 1)	Trr	25			35	50	nS
Typical junction Capacitance (Note 2)	CJ	15					pF
Typical Thermal Resistance (Note 3)	RθJA	75					°CW
Operating Junction and Storage Temperature Range	TJ, TSTG	-55 to + 150					°C

NOTES : (1) Reverse recovery test conditions $I_F = 0.5\text{A}$, $I_R = 1.0\text{A}$, $I_{rr} = 0.25\text{A}$.
(2) Measured at 1.0 MHz and applied reverse voltage of 4.0 Volts DC.
(3) Thermal Resistance junction to lead.

RATINGS AND CHARACTERISTIC CURVES EF101G THRU EF106G

FIG.1 - FORWARD CURRENT DERATING CURVE

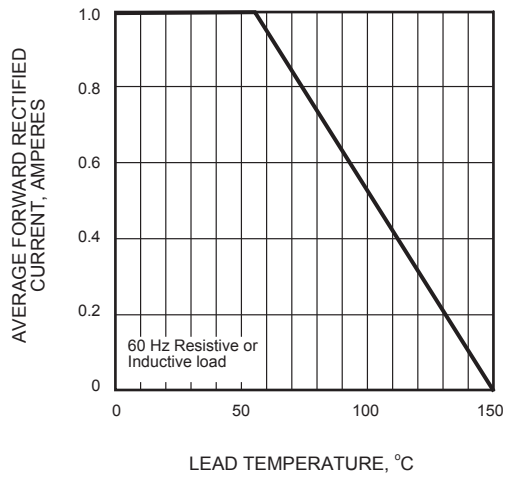


FIG.2 - MAXIMUM NON-REPETITIVE PEAK FORWARD SURGE CURRENT

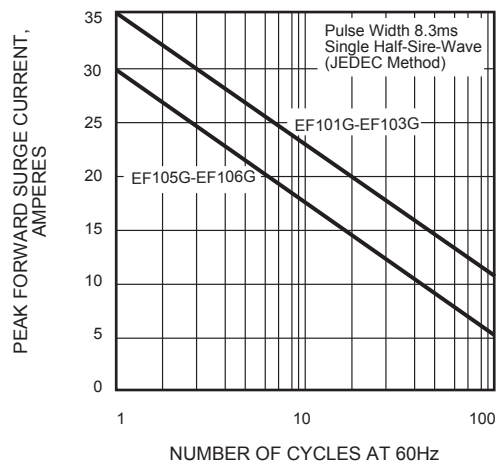


FIG.3 - TYPICAL INSTANTANEOUS FORWARD CHARACTERISTICS

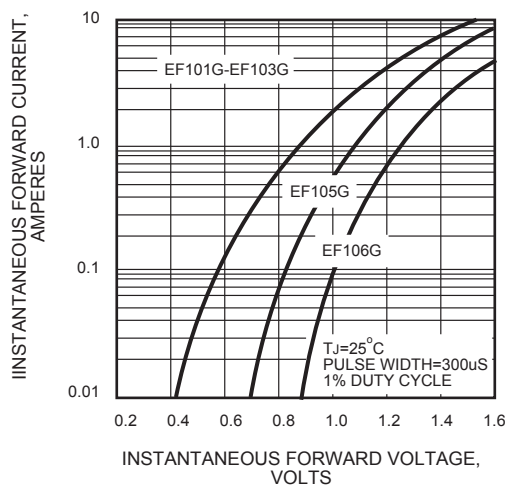


FIG.4 - TYPICAL REVERSE CHARACTERISTICS

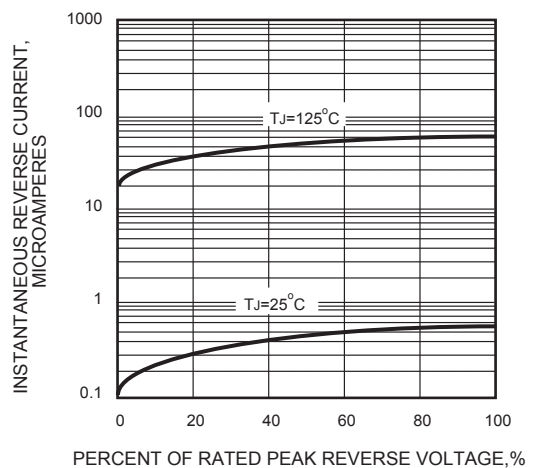


FIG.5 - TYPICAL JUNCTION CAPACITANCE

