

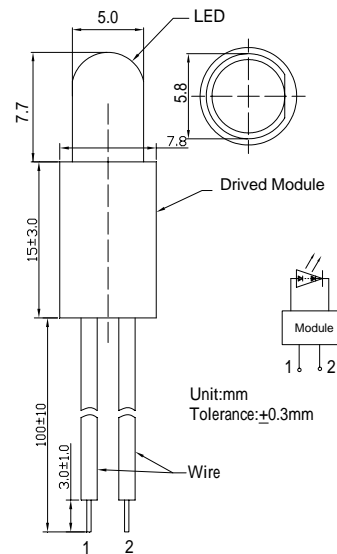
Features

- High Luminous LEDs
- 5mm Round Standard Directivity
- Superior Weather-resistance
- UV Resistant Epoxy
- 24V DC LED
- Water Clear Type

Applications

- Small Area Lighting
- Other Lighting

Outline Dimension

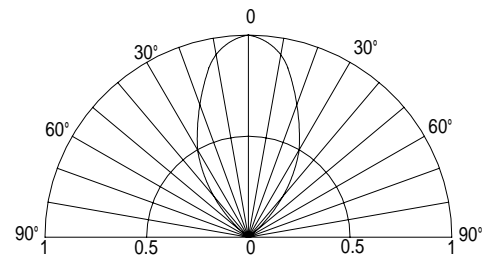


Absolute Maximum Rating

($T_a=25$)

Item	Symbol	Value	Unit
DC Voltage	V_f	28	V
DC Current	I_f	10	mA
Power Dissipation	P_D	280	mW
Operating Temperature	T_{opr}	-30 ~ +85	
Storage Temperature	T_{stg}	-30 ~ +85	
Lead Soldering Temperature	T_{sol}	260 /5sec	-

Directivity



Electrical -Optical Characteristics

($T_a=25$)

Part Number	Color		I_f (mA)			v (lm)*			λD (nm)*			2 $\theta_{1/2}$ (deg)
			Min	Typ.	Max.	Min.	Typ.	Max.	Min.	Typ.	Max.	Typ.
			$V_F = 24V$			$V_F = 24V$			$V_F = 24V$			
OS5WNL5161A-KKW	Cool White	W	8	9	10	28	30	-	X=0.27, Y=0.28			60
OS5MNL5161A-KKW	Warm White	M	8	9	10	23	25	-	X=0.45, Y=0.41			60

*1 Tolerance of chromaticity coordinates is $\pm 10\%$, Tolerance of λd is $\pm 1nm$.

*2 Tolerance of luminous intensity is $\pm 15\%$