



U74AUC1G86

CMOS IC

SINGLE 2-INPUT EXCLUSIVE-OR GATE

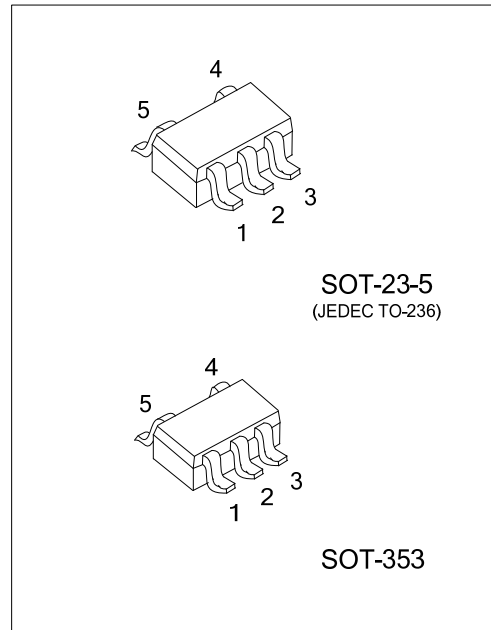
DESCRIPTION

The **U74AUC1G86** is a single 2-input exclusive-OR gate which provides the Function $Y = A \oplus B$ or $Y = \overline{A}B + A\overline{B}$ in positive logic.

This device has power-down protective circuit, preventing device destruction when it is powered down.

FEATURES

- * Operate from 0.8V to 2.7V
- * Low power dissipation : $I_{CC}=10\mu A$ (Max.)
- * $\pm 8mA$ Output Driver : $V_{CC}=1.8V$
- * I_{off} Supports partial-Power-Down Mode Operation

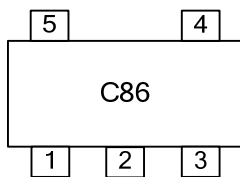


ORDERING INFORMATION

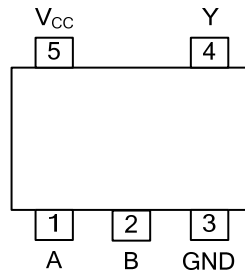
Ordering Number	Package	Packing
U74AUC1G86G-AE5-R	SOT-23-5	Tape Reel
U74AUC1G86G-AL5-R	SOT-353	Tape Reel

<p>U74AUC1G86G-AE5-R</p> <p>(1)Packing Type</p> <p>(2)Package Type</p> <p>(3)Green Package</p>	<p>(1) R: Tape Reel</p> <p>(2) AE5: SOT-23-5, AL5: SOT-353</p> <p>(3) G: Halogen Free and Lead Free</p>
--	---

MARKING



■ PIN CONFIGURATION

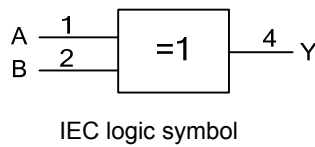
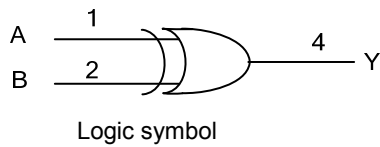


■ FUNCTION TABLE

INPUT(A)	INPUT(B)	OUTPUT(Y)
L	L	L
H	L	H
L	H	H
H	H	L

Note: H: HIGH voltage level; L: LOW voltage level

■ LOGIC DIAGRAM (positive logic)



■ ABSOLUTE MAXIMUM RATING

PARAMETER	SYMBOL	TEST CONDITIONS	RATINGS	UNIT
Supply Voltage	V_{CC}		-0.5 ~ +3.6	V
Input Voltage	V_{IN}		-0.5 ~ +3.6	V
Output Voltage	V_{OUT}	Output in the high or low state	-0.5 ~ V_{CC} +0.5	V
		Output in the power-off state	-0.5 ~ +3.6	V
V_{CC} or GND Current	I_{CC}		±100	mA
Continuous Output Current	I_{OUT}	$V_{OUT}=0 \sim V_{CC}$	±20	mA
Input Clamp Current	I_{IK}	$V_{IN}<0$	-50	mA
Output Clamp Current	I_{OK}	$V_O>V_{CC}$ or $V_{OUT}<0$	-50	mA
Storage Temperature Range	T_{STG}		-65 ~ +150	°C

Note: Absolute maximum ratings are those values beyond which the device could be permanently damaged. Absolute maximum ratings are stress ratings only and functional device operation is not implied.

■ RECOMMENDED OPERATING CONDITIONS

PARAMETER	SYMBOL	TEST CONDITIONS	MIN	TYP	MAX	UNIT
Supply Voltage	V_{CC}	Operating	0.8		2.7	V
Input Voltage	V_{IN}		0		3.6	V
Output Voltage	V_{OUT}	High or low state	0		V_{CC}	V
Operating Temperature	T_A		-40		85	°C
Input Transition Rise or Fall Rate	$\Delta t/\Delta v$	$V_{CC}=0.8V \sim 1.95V$			20	ns/V
		$V_{CC}=2.3V \sim 2.7V$			10	ns/V

■ ELECTRICAL CHARACTERISTICS ($T_A=25^\circ\text{C}$, unless otherwise specified)

PARAMETER	SYMBOL	TEST CONDITIONS	MIN	TYP	MAX	UNIT
High-level Input Voltage	V_{IH}	$V_{CC}=0.8V$	V_{CC}			
		$V_{CC}=1.1V \sim 1.95V$	$0.65 \times V_{CC}$			
		$V_{CC}=2.3V \sim 2.7V$	1.7			
Low-level Input Voltage	V_{IL}	$V_{CC}=0.8V$			0	
		$V_{CC}=1.1V \sim 1.95V$			$0.35 \times V_{CC}$	
		$V_{CC}=2.3V \sim 2.7V$			0.7	
High-Level Output Voltage	V_{OH}	$V_{CC}=0.8 \sim 2.7V, I_{OH}=-100\mu A$	$V_{CC}-0.1$			V
		$V_{CC}=0.8V, I_{OH}=-700\mu A$		0.55		V
		$V_{CC}=1.1V, I_{OH}=-3mA$	0.8			V
		$V_{CC}=1.4V, I_{OH}=-5mA$	1			V
		$V_{CC}=1.65V, I_{OH}=-8mA$	1.2			V
Low-Level Output Voltage	V_{OL}	$V_{CC}=2.3V, I_{OH}=-9mA$	1.8			V
		$V_{CC}=0.8 \sim 2.7V, I_{OL}=100\mu A$			0.2	V
		$V_{CC}=0.8V, I_{OL}=700\mu A$		0.25		V
		$V_{CC}=1.1V, I_{OL}=3mA$			0.3	V
		$V_{CC}=1.4V, I_{OL}=5mA$			0.4	V
Input Leakage Current	$I_{I(LEAK)}$	$V_{CC}=0 \sim 2.7V, V_{IN}=V_{CC}$ or GND		±0.1	±5	μA
		$V_{CC}=0V, V_{IN}$ or $V_{OUT}=2.7V$		±0.1	±10	μA
Quiescent Supply Current	I_{CC}	$V_{CC}=0.8 \sim 2.7V, V_{IN}=V_{CC}$ or GND $I_{OUT}=0$		0.1	10	μA
Input Capacitance	C_I	$V_{CC}=2.5V, V_{IN}=V_{CC}$ or GND		2.5		pF

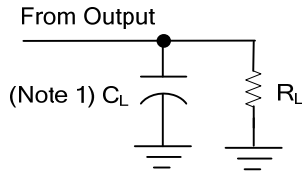
■ SWITCHING CHARACTERISTICS (T_A =25°C , unless otherwise specified)

PARAMETER	SYMBOL	TEST CONDITIONS	MIN	TYP	MAX	UNIT	
Propagation delay from input to output	t _{PLH} / t _{PHL}	C _L =15pF, R _L =2kΩ	V _{CC} =0.8V		5.5		ns
			V _{CC} =1.2±0.1V	0.8			ns
			V _{CC} =1.5±0.1V	0.5			ns
			V _{CC} =1.8±0.15V	0.4	1		ns
			V _{CC} =2.5±0.2V	0.3			ns
		C _L =30pF, R _L =1KΩ	V _{CC} =1.8±0.15V	0.8	1.5		ns
C _L =30pF, R _L =500Ω	V _{CC} =2.5±0.2V	0.7			ns		

■ OPERATING CHARACTERISTICS (f=10MHz, T_A =25°C , unless otherwise specified)

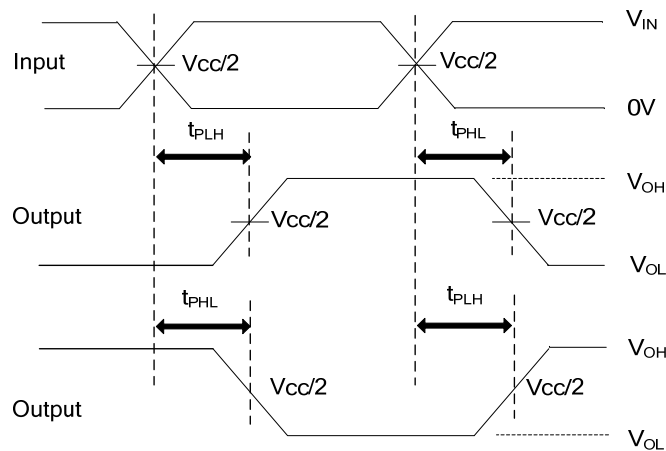
PARAMETER	SYMBOL	TEST CONDITIONS	MIN	TYP	MAX	UNIT
Power Dissipation Capacitance	C _{PD}	V _{CC} =0.8V		16		pF
		V _{CC} =1.2V		16		pF
		V _{CC} =1.5V		16.5		pF
		V _{CC} =1.8V		17		pF
		V _{CC} =2.5V		18.5		pF

■ TEST CIRCUIT AND WAVEFORMS



TEST CIRCUIT

V_{CC}	C_L	R_L	V_M
0.8V	15pF	2k Ω	$V_{CC}/2$
1.2V \pm 0.1V	15pF	2k Ω	$V_{CC}/2$
1.5V \pm 0.1V	15pF	2k Ω	$V_{CC}/2$
1.8V \pm 0.15V	15pF	2k Ω	$V_{CC}/2$
2.5V \pm 0.2V	15pF	2k Ω	$V_{CC}/2$
1.8V \pm 0.15V	30pF	1k Ω	$V_{CC}/2$
2.5V \pm 0.2V	30pF	500 Ω	$V_{CC}/2$



PROPAGATION DELAY TIMES

- Notes: 1. C_L includes probe and jig capacitance.
 2. All input pulses are supplied by generators having the following characteristics: PRR \leq 10MHz, $Z_0 = 50\Omega$.

UTC assumes no responsibility for equipment failures that result from using products at values that exceed, even momentarily, rated values (such as maximum ratings, operating condition ranges, or other parameters) listed in products specifications of any and all UTC products described or contained herein. UTC products are not designed for use in life support appliances, devices or systems where malfunction of these products can be reasonably expected to result in personal injury. Reproduction in whole or in part is prohibited without the prior written consent of the copyright owner. The information presented in this document does not form part of any quotation or contract, is believed to be accurate and reliable and may be changed without notice.