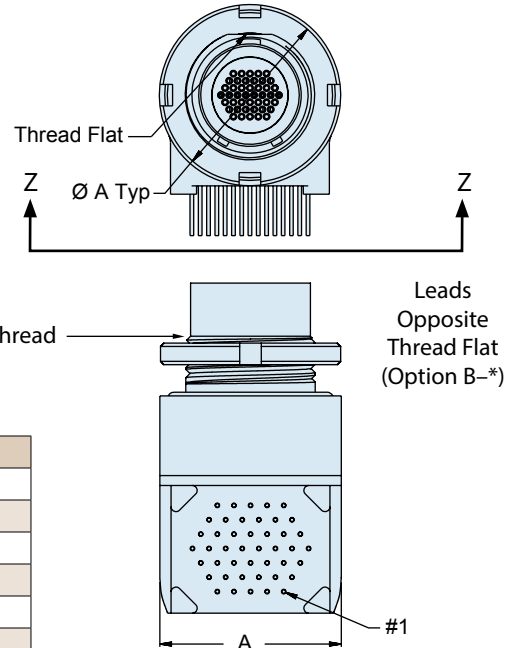
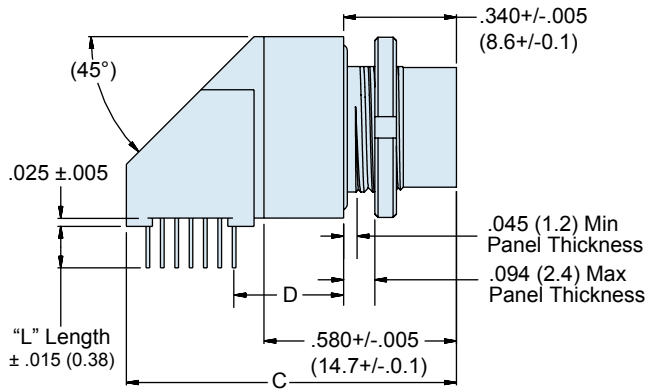


Table III: Right Angle Bottom Lead Dimensions



Size	Ø A +/- .005	B Thread	C +/- .020	D ± .005
1-4	.429 (10.9)	M7.0 x 0.75 - 6g	.832 (0.7)	.350 (0.1)
1-7	.429 (10.9)	M7.0 x 0.75 - 6g	.832 (0.7)	.335 (0.1)
2-19	.488 (12.4)	M8.5 x 0.75 - 6g	.918 (0.8)	.335 (0.1)
3-37	.528 (13.4)	M9.5 x 0.75 - 6g	1.005 (1.0)	.335 (0.1)
4-44	.567 (14.5)	M10.5 x 0.75 - 6g	1.005 (1.0)	.330 (0.1)
4-55	.567 (14.5)	M10.5 x 0.75 - 6g	1.092 (1.2)	.335 (0.1)

Table IV: Recommended PCB Layout View Per View Z ←→ Z

Size 1-4	Size 1-7	Size 2-19
Size 3-37	Size 4-44	Size 4-55

Dimensions in inches (millimeters) and are subject to change without notice.

893-010 Circular Breakaway, Rear Panel Mount Receptacle Connector with Right Angle PCB Termination

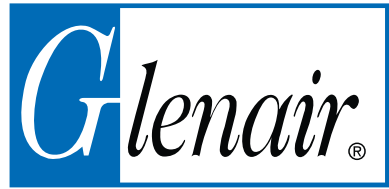


Table V: Right Angle Top Lead Dimensions

Size	Ø A +/- .005	B Thread	C +/- .020	D ± .005
1-4	.429 (10.9)	M7.0 x 0.75 - 6g	.832 (21.1)	.350 (8.9)
1-7	.429 (10.9)	M7.0 x 0.75 - 6g	.832 (21.1)	.335 (8.5)
2-19	.488 (12.4)	M8.5 x 0.75 - 6g	.918 (23.3)	.335 (8.5)
3-37	.528 (13.4)	M9.5 x 0.75 - 6g	1.005 (25.5)	.335 (8.5)
4-44	.567 (14.5)	M10.5 x 0.75 - 6g	1.005 (25.5)	.330 (8.4)
4-55	.567 (14.5)	M10.5 x 0.75 - 6g	1.092 (27.7)	.335 (8.5)

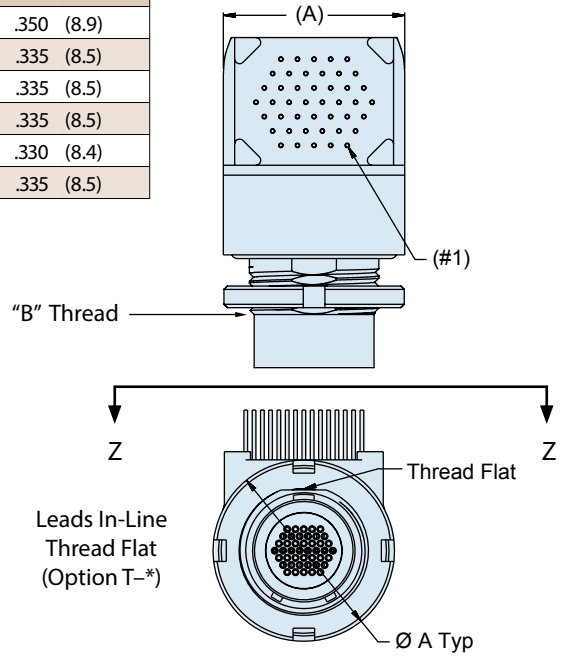
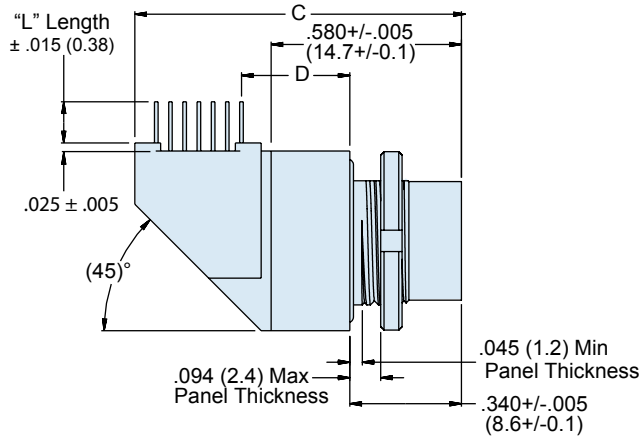


Table VI: Recommended PCB Layout Per View Z ↔ Z

Size 1-4	Size 1-7	Size 2-19
Size 3-37	Size 4-44	Size 4-55

Dimensions in inches (millimeters) and are subject to change without notice.