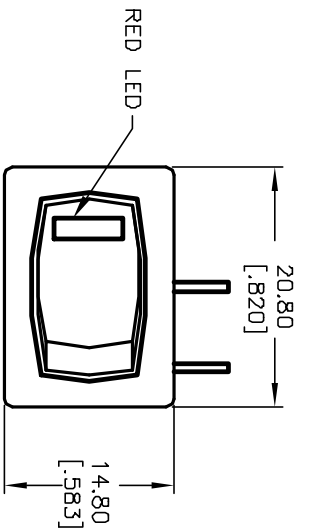
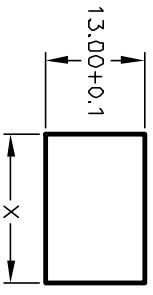


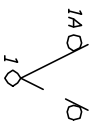
PANEL THICKNESS	X dimension
0.75-1.25 [0.30-.0491]	19.2-01 [7.561]
1.25-2.0 [0.49-.079]	19.4-01 [7.641]
2.0-3.0 [0.79-.118]	19.8-01 [7.801]



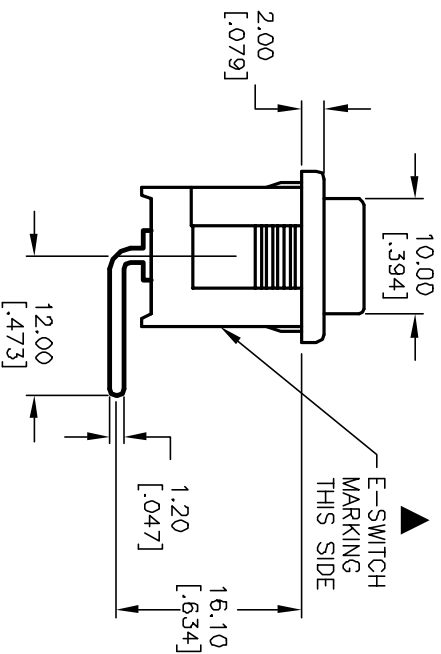
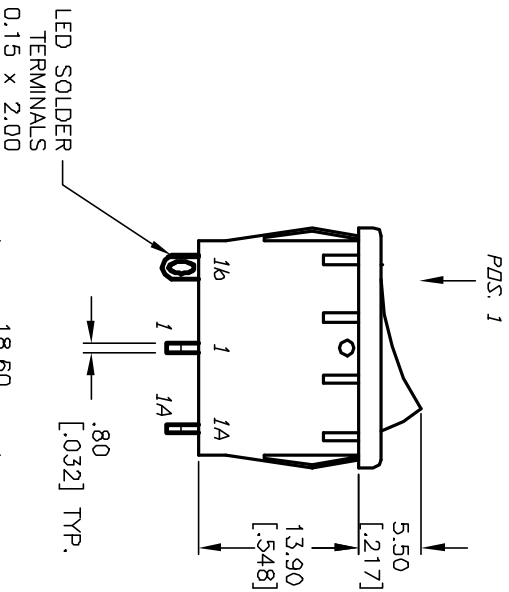
RED L.E.D.

PARAMETERS	SYMBOL	MAX. TYP.	UNITS
POWER DISSIPATION	$P_D$	80	mW
AVERAGE FORWARD CURRENT	$I_{AF}$	--	mA
PEAK FORWARD CURRENT	$I_{PF}$	100	mA
REVERSE VOLTAGE	$V_R$	5	V
FORWARD VOLTAGE	$V_F$	2.1	V
REVERSE CURRENT	$I_R$	100	$\mu A$
EMISSION WAVELENGTH	$\lambda_p$	660	nm
LUMINOUS INTENSITY	$I_v$	30	mcd

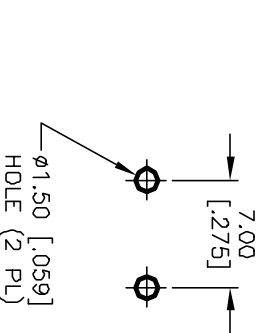
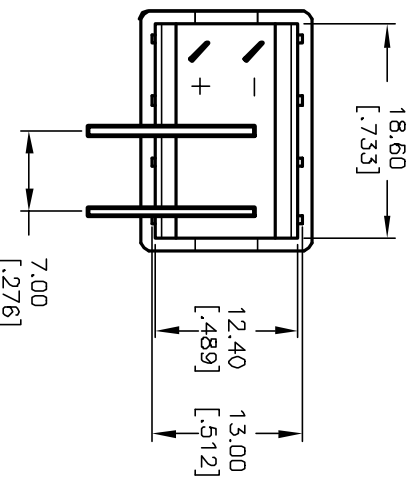
SWITCH FUNCTION	PDS, 1	PDS, 2
DN	DN	DNF
1-1a	DPEN	



CIRCUIT: SPST



- NOTES:
1. ALL DIMENSIONS IN MM [INCH]
  2. GENERAL TOLERANCE: X.X=±0.4  
X.XX=±0.25
  3. TERMINAL NUMBERS FOR REF ONLY
  4. RATING: 15A @ 125VAC OR 6A @ 250VAC
  5. MATERIALS: (TERMINALS) SILVER PLATED COPPER (CONTACTS) COIN SILVER, SILVER PLATED.
  6. CONTACT RESISTANCE: <20 Mega
  7. ELECTRICAL LIFE: 10,000 cycles
  8. INSULATION RESISTANCE: >1000 Mega
  9. DIELECTRIC STRENGTH: >1500V 1 minute  
>3000V between Poles
  10. OPERATING TEMP.: -25°C to +85°C



**E-SWITCH®**

REV.	ECN No.	REVISION AND REDRAWN	DATE	CHKD	SCALE	DATE	DR	DWG	REV
B	11666	REVISED AND REDRAWN	9/21/01	CJB	1.5:1	11/4/98	MM	M301221	B
TITLE: R1966A BLK BLK ER RED THE INFORMATION CONTAINED IN THIS DOCUMENT IS PROPRIETARY TO E-SWITCH AND IS NOT TO BE COPIED OR TRANSFERRED									