

Features

Regulated Converters

- 15W in 2" x 1" Package
- 2kVDC and 3kVDC Isolation Options
- 2:1 or 4:1 Input Voltage Range
- Continuous Short Circuit Protection (power limiting)
- Synchronous Rectification on 3.4V & 5.1V outputs
- Full SMD internal design
- Remote Control Pin
- Efficiency to 87%

Description

The REC15-xxxxS_D/M -series offer single and dual regulated outputs in a 2"x1" package with 2kVDC or 3kVDC isolation options and are suitable for higher power industrial applications. Remote on/off control is standard. The converters can deliver 150% rated power for short periods of time to cope with applications with large capacitive loads or high start up currents. The outputs with 3A load current have raised output voltages to compensate for track losses as standard.

Selection Guide

Part Number	Input Voltage (VDC)	Output Voltage (VDC)	Output Current (mA)	Efficiency (typ.) (%)	Max. Cap. Load
REC15-xx3.4S/H*/M	9-18, 18-36, 36-75	3.4	3000	84-85	3300µF
REC15-xx5.1S/H*/M	9-18, 18-36, 36-75	5.1	3000	86-87	3300µF
REC15-xx12S/H*/M	9-18, 18-36, 36-75	12	1250	85-86	3300µF
REC15-xx15S/H*/M	9-18, 18-36, 36-75	15	1000	85-86	3300µF
REC15-xx05D/H*/M	9-18, 18-36, 36-75	±5	±1500	82-83	±1500µF
REC15-xx12D/H*/M	9-18, 18-36, 36-75	±12	±625	85-86	±1000µF
REC15-xx15D/H*/M	9-18, 18-36, 36-75	±15	±500	85-86	±1000µF
REC15-xx3.4SZ/H*/M	9-36, 18-75	3.4	3000	84-85	3300µF
REC15-xx5.1SZ/H*/M	9-36, 18-75	5.1	3000	87	3300µF
REC15-xx12SZ/H*/M	9-36, 18-75	12	1250	86	3300µF
REC15-xx15SZ/H*/M	9-36, 18-75	15	1000	86	3300µF
REC15-xx05DZ/H*/M	9-36, 18-75	±5	±1500	83	±1500µF
REC15-xx12DZ/H*/M	9-36, 18-75	±12	±625	86	±1000µF
REC15-xx15DZ/H*/M	9-36, 18-75	±15	±500	86	±1000µF

* Standard is /H2 for 2kVDC isolation, use /H3 for 3kVDC Isolation

	2:1	4:1
xx = 9-18Vin = 12,		xx = 9-36Vin = 24,
xx = 18-36Vin = 24,		xx = 18-75Vin = 48
xx = 36-75Vin = 48		

Specifications (measured at $T_A = 25^\circ\text{C}$, nominal input voltage, full load and after warm-up)

Input Voltage Range	2:1 or 4:1	
Input Filter	PI Network	
Output Voltage Accuracy (the Output 3.4V is ±1.2% max.)	±1.0% max.	
Line Voltage Regulation	±0.3% max.	
Load Voltage Regulation	Single	±0.5% max.
(25% to 100% full load)	Dual	±1.2% max.
Cross Regulation (100%: 25% to 100% full load)	±5% max.	
Output Ripple and Noise (with 100n output capacitor and 20MHz BW)	100mVp-p max.	
Start-up time (Nom. Vin at 100% Load)	25ms typ.	
Operating Frequency (Full Load)	300kHz typ.	
Efficiency (Nom. Vin at 100% Load)	see Selection Guide	
Minimum Load	0%	
Input Surge Voltage (100ms max.)	12V Input	36VDC
	24V Input	50VDC
	48V Input	100VDC

continued on next page

ECONOLINE

DC/DC-Converter

with 3 year Warranty

RECOM

15 Watt 2" x 1" Single & Dual Output



EN-60950-1 Certified
EN-60601-1 Certified
UL-60950-1 Certified

REC15/M

**Any data referred to in this datasheet are of indicative nature and based on our practical experience only. For further details, please refer to our Application Notes.

Refer to Application Notes

Specifications (measured at $T_A = 25^\circ\text{C}$, nominal input voltage, full load and after warm-up)

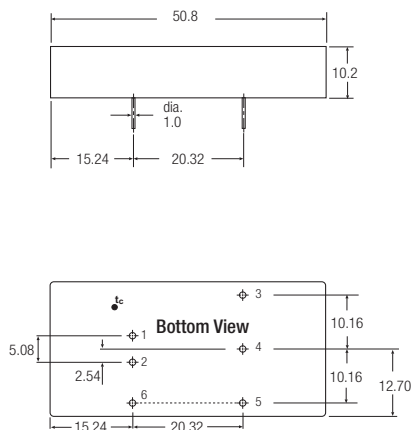
Isolation Voltage	H2-Suffix	(tested for 1 second)	2000VDC
	H3-Suffix	(rated for 1 minute**)	1000VAC / 60Hz
		(tested for 1 second)	3000VDC
		(rated for 1 minute**)	1500VAC / 60Hz
Under Voltage Lockout (2:1)	12V Input	DC-DC on 8.3VDC, DC-DC off 7.9VDC	
	24V Input	DC-DC on 17.4VDC, DC-DC off 16.7VDC	
	48V Input	DC-DC on 35.7VDC, DC-DC off 34.3VDC	
Under Voltage Lockout (4:1)	24V Input	DC-DC on 8.3VDC, DC-DC off 7.9VDC	
	48V Input	DC-DC on 17.4VDC, DC-DC off 16.7VDC	
Isolation Capacitance			1200pF typ.
Isolation Resistance			1 $\text{G}\Omega$ min.
Overload Protection			150% typ.
Short Circuit Protection			Continuous, Auto Restart
Operating Temperature Range (free air convection)	4:1	-40°C to +65°C (see Graph)	
	2:1	-40°C to +71°C (see Graph)	
Storage Temperature Range			-55°C to +105°C
Remote On/Off	DC/DC ON	Open or $3.5\text{V} < V_r < 12\text{V}$	
	DC/DC OFF	Short or $0\text{V} < V_r < 1.2\text{V}$	
Temperature Coefficient			$\pm 0.05\%$ max.
Relative Humidity			95% RH
Case Material	Nickel Plated Metal with Non-Conductive Base		
Thermal Impedance	Natural convection	12°C/W	
Maximum Case Temperature			100°C
Vibration			10-55Hz, 2G, 30mins along X,Y & Z
Package Weight			27g
Packing Quantity			10 pcs per Tube
MTBF (+25°C)	} Detailed Information see Application Notes chapter "MTBF"	using MIL-HDBK 217F	>700 x 10 ³ hours
		using MIL-HDBK 217F	>150 x 10 ³ hours

Certifications

EN General Safety	Report: SPCLVD 1206084-1	EN60950-1:2006 + A12:2011
UL General Safety	Report: E224736	UL 60950-1 1st Ed. C22.2 No. 60950-1-03
EN Medical Safety	Report: MDD12060585 + RM1206085	IEC/EN 60601-1 3rd Edition; Medical Report + ISO14971 Risk Assessment

Note: Refer to Application Notes for EMC Class B Filter suggestion

Package Style and Pinning (mm)



Pin Connections

Pin #	Single	Dual
1	+Vin	+Vin
2	-Vin	-Vin
3	+Vout	+Vout
4	No Pin	Com
5	-Vout	-Vout
6	CTRL	CTRL

XX.X ± 0.5 mm
XX.XX ± 0.35 mm

Derating-Graph (Ambient Temperature)

