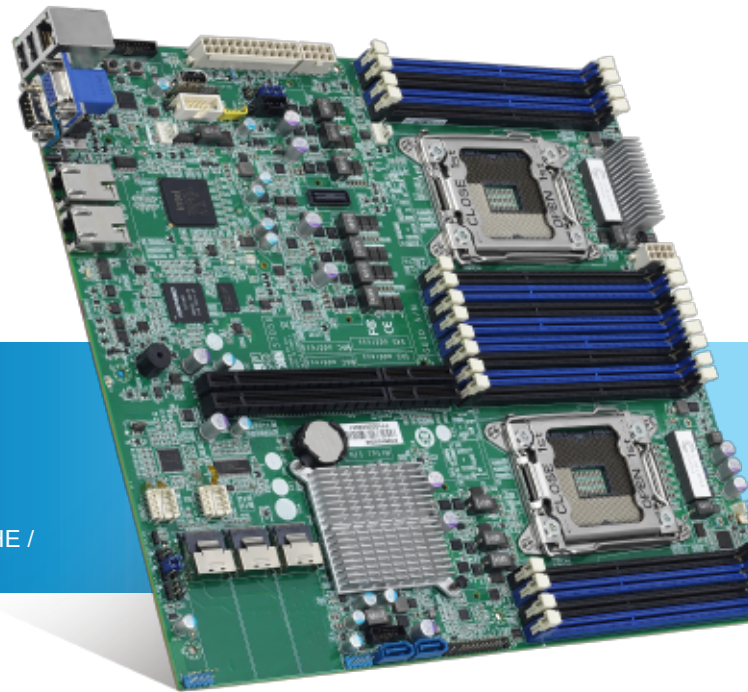
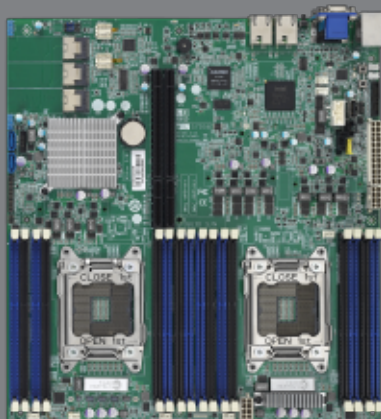


DUAL-SOCKET SERVER PLATFORM



S7056

S7056GM3NR / S7056WGM3NR / S7056WGM3NR-2T /
S7056WGM3NR5(BTO) / S7056GM3NR-HE / S7056WGM3NR-HE /
S7056WGM3NR-2T-HE(BTO) S7056WGM3NR5-HE (BTO)



■ Intel® C602 Chipset

Dual-socket SMP server implementation for IPDC and HPC

- Dual LGA2011 socket supports (2) Intel® Xeon® processor E5-2600/E5-2600 v2 Series CPU
- Intel® C602 PCH
- (8 + 8) 240-pin UDIMM/RDIMM/LRDIMM ECC 1066/1333/1600/1866
*Speed 1866 only for 1 slot per channel 1.5V(Blue color DIMM slot)
- (2) PCI-E x16 + x4 slots (each w/ total x24 link)
- (4) SATA ports by (1) mini-SAS connector running at 3.0 Gb/s w/ RAID 0, 1, 10, 5 support (AHCI)
- (2) SATA connectors running at 6.0 Gb/s (AHCI)
- (8) SATA/SAS ports by (2) mini-SAS connectors running at 3.0Gb/s w/ RAID 0, 1, 10 support (-W SKU)
- (2) GbE ports + (1) Dedicated for IPMI or (2) 10GbE ports + (1) Dedicated for IPMI (-2T SKU)
- (7) USB2.0 ports (2 at rear, 4 via cable, 1 type A onboard)
- EATX (12" x 13", 305mm x 330mm)

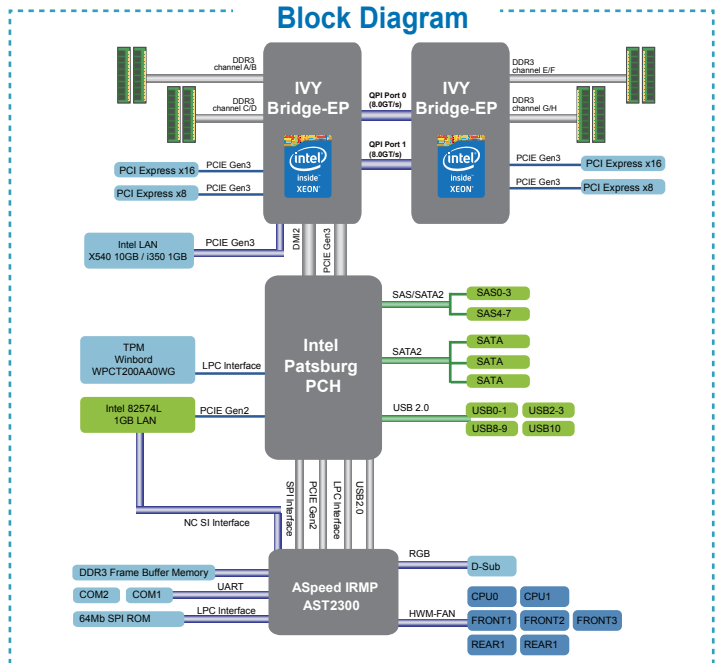


S7056

TYAN Specifications

S7056GM3NR / S7056WGM3NR / S7056WGM3NR-2T
 S7056WGM3NR5(BTO) / S7056GM3NR-HE / S7056WGM3NR-HE
 S7056WGM3NR-2T-HE(BTO) / S7056WGM3NR5-HE(BTO)

Processor	Supported CPU Series	Intel® Xeon® Processor E5-2600/ E5-2600 v2 Series	
	Socket Type / Q'ty	LGA2011 / (2)	
	Thermal Design Power (TDP)	Max up to 95W Max up to 150W (S7056-HE SKU)	
Chipset	PCH / PCI-E Switch	Intel® C602	
	Super I/O	-	
Memory	Supported DIMM Qty	(8+8) DIMM sockets	
	DIMM Type / Speed	UDIMM/RDIMM/LRDIMM ECC 1066/1333/1600/1866 *Speed 1866 only for 1 slot per channel 1.5V(Blue color DIMM slot)	
	Capacity	up to 128GB UDIMM / 512GB RDIMM / 512GB LRDIMM	
	Memory channel	4 Channels	
	Memory voltage	1.35V/1.5V	
Expansion Slots	PCI-E	(2) sets of the following expansion combination: (1) PCI-E x16 slot in-lined with (1) PCI-E x4 slot (routed to PCI-E x8 bus) recommended to use Tyan riser card	
	Recommended TYAN® Riser Card	M7056-L24-3F, PCI-E x16 2U riser card (left) M7056-R24-3F, PCI-E x16 2U riser card (right)	
	PCI	-	
LAN	Port Q'ty	(2) GbE ports + (1) Dedicated for IPMI (2) 10GbE ports + (1) Dedicated for IPMI (-2T SKU)	
	Controller	Intel® 82574 + Intel® I350 Intel® 82574 + Intel® X540 (-2T SKU)	
Storage	SAS (opt.)	Connector	(8) SAS
		Controller	Intel® C602 with TRK-5 upgrade ROM module (-W SKU) Intel® C602 with TRK-6 upgrade ROM module
		Speed	3.0 Gb/s (mini-SAS connector)
	SATA	RAID	RAID 0/1/10 (Intel Integrated RAID upgrade ROM 5) RAID 0/1/10/5 (Intel Integrated RAID upgrade ROM 6)
		Connector	(6) SATA or (10) SATA
		Controller	Intel® C602
Speed	(2) 6.0 Gb/s (blue color); (4) 3.0 Gb/s (mini-SAS connectors) (-W SKU) (2) 6.0 Gb/s (blue color); (8) 3.0 Gb/s (2 x mini-SAS connectors)		
RAID	RAID 0/1/10/5 (Intel® RST)		
Graphic	Connector type	D-Sub 15-pin	
	Resolution	up to 1920 x 1200	
	Chipset	Aspeed AST2300	
Audio	Chipset	-	
	Version	-	
TPM (optional)	Chipset	-	
	Version	-	
Input /Output	USB	(7) USB2.0 ports (2 at rear, 4 via cable, 1 type A onboard)	
	COM	(1) header (1) port (rear)	
	Audio	-	
	VGA	(1) D-Sub 15-pin VGA port	
	DVI	-	
	Display Port	-	
	Power	SSI 24-pin + 8-pin + 8-pin power connectors	
	RJ-45	(2) GbE ports + (1) Dedicated for IPMI (2) 10GbE ports + (1) Dedicated for IPMI (-2T SKU)	
	SAS	(2) Mini-SAS (4-in-1) connectors (-W SKU)	
	Front Panel	(1) 2x12-pin SSI front panel header	
	SATA	(1) Mini-SAS connector (-W SKU) or (2) Mini-SAS connectors (2) SATA-III connectors	



System Monitoring	Chipset	Nuvoton 83773G
	Voltage	Monitors voltage for CPU, memory, chipset & power supply
	Fan	Total (7) 4-pin headers
Server Management	Temperature	Monitors temperature for CPU & system environment
	Onboard Chipset	Onboard Aspeed AST2300
	AST2300 IPMI Feature	IPMI 2.0 compliant baseboard management controller (BMC)
BIOS	AST2300 iKVM Feature	24-bit high quality video compression 10/100 Mb/s MAC interface
	Brand / ROM size	AMI / 8MB
Form Factor	Feature	Plug and Play (PnP) / PCI2.3 / WfM2.0 / SMBIOS2.3 / PXE boot / ACPI 2.0 power management / Power on mode after power
	Form Factor	EATX
Operating System	Board Dimension	12"x13" (305x330mm)
	OS supported list	Please refer to our Intel OS supported list.
Regulation	FCC (DoC)	Class A
	CE (DoC)	Yes
Operating Environment	Operating Temp.	10° C ~ 35° C (50° F ~ 95° F)
	Non-operating Temp.	- 40° C ~ 70° C (-40° F ~ 158° F)
	In/Non-operating Humidity	90%, non-condensing at 35° C Non-operating Relative Humidity: 10% to 95% (non-
RoHS	RoHS 6/6 Compliant	Yes
ErP/EuP		NO

(Specifications are subject to change without notice. Items pictured may only be representative.)

MITAC INTERNATIONAL CORP.
 TYAN Business Unit

USA
 Tel: +1-510-651-8868
 Fax: +1-510-651-7688

Taiwan
 Tel: +886-2-2652-5888
 Fax: +886-2-2652-5805

Japan
 Tel: +81-3-3769-8311
 Fax: +81-3-3769-8328

Europe
 Sales: +32 2456 1721
 Technical Support: +32 2456 1722

China
 Shanghai Tel: +86-21-61431188 Ext 1366
 China Tel: +86-010-62555015 Ext 8302