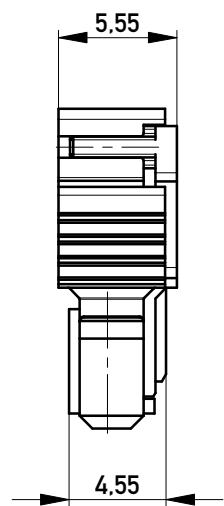
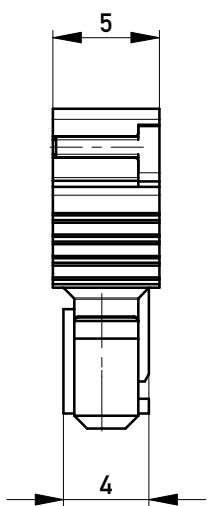


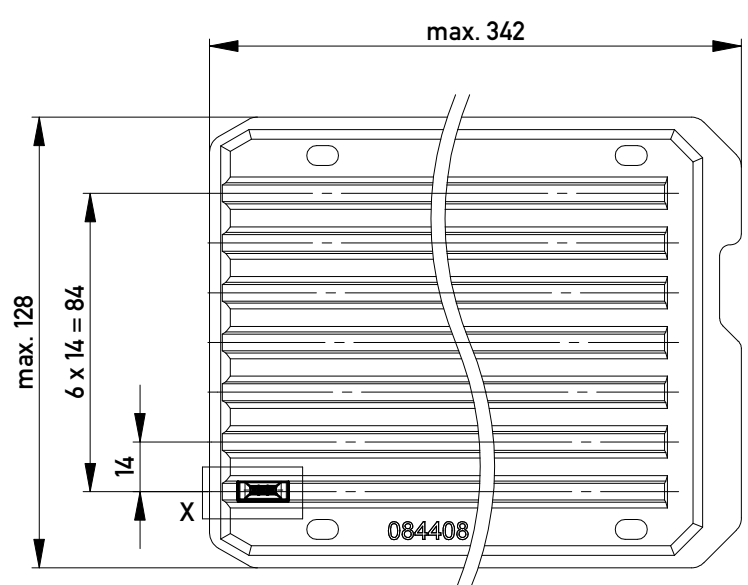
Abdeckung vorverrastet
cover loose mounted



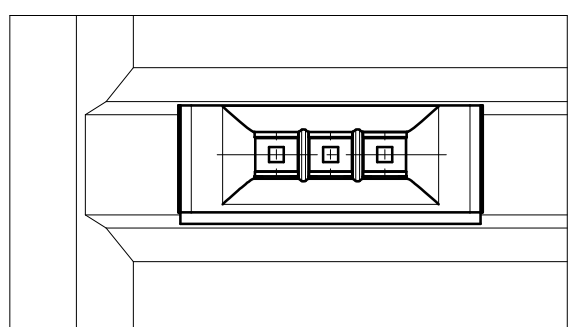
Abdeckung verpresst
cover pressed on



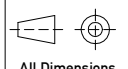

Verpackt in Tray - tray packaging
Verpackungseinheit 154 Stück - packaging unit 154



Einzelheit X
detail X



Copyright by ERNI GmbH
Proprietary notice pursuant to ISO 16016 to be observed.

Information: Codierung blau - coding blue		Tolerances  All Dimensions in mm	Scale 3:1
All rights reserved. Only for Information. To ensure that this is the latest version of this drawing, please contact one of the ERNI companies before using.		Subject to modification without prior notice. Drawing will not be updated.	Designation F 2,54 SRC-A, 3-polig
b	25.02.2014	 www.ERNI.com	100602070001
Index	Date		K A3
			Class SRCBUG