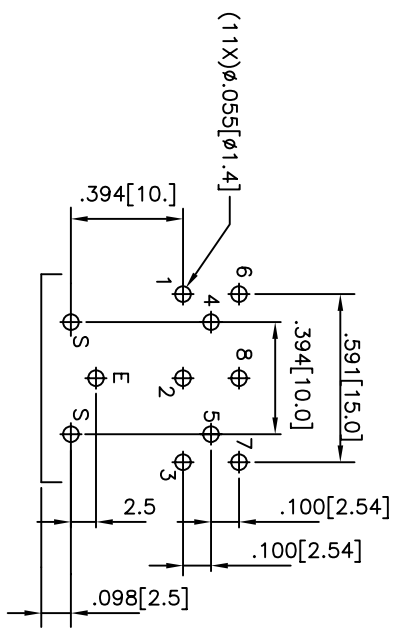
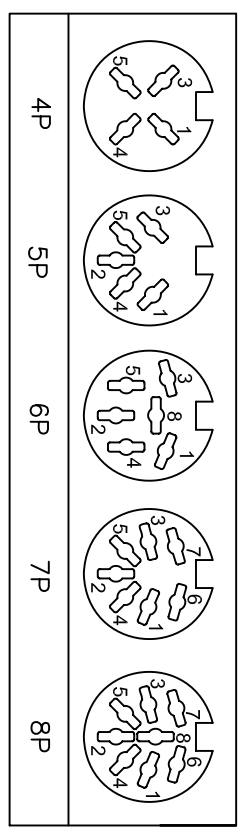
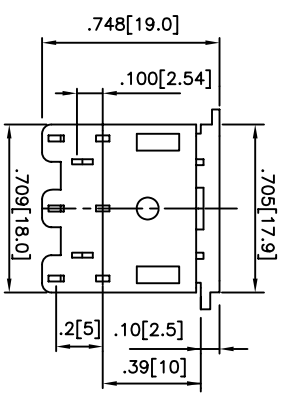
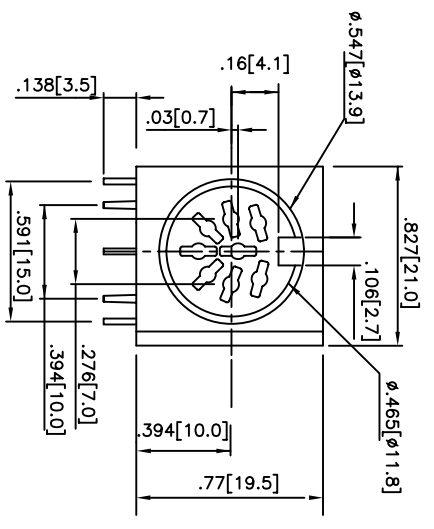


Rev	AWO #	Description	Date	Appr
-		RELEASED	10/30/06	

APPROVED: _____
 DATE: _____ TITLE: _____



RECOMMENDED P.C.B LAYOUT (BOTTOM VIEW)
 TOLERANCES: ±0.10mm

SPECIFICATIONS:

Material: Insulator: PBT, glass reinforced, rated UL 94V-0
Contacts: Brass

Plating: 100 uin tin on solder tails over 40 uin Nickel

Electrical: Operating voltage: 16 VAC max
 Current rating: 20 mA-0.3 Amps max @ 500 VDC
 Insulation resistance: 100 Mohms min
 Dielectric withstanding voltage: 500 VAC min rms

Mechanical: Insertion force: 0.5-6.0 kg per contact max.
 Withdrawal force: 0.5-6.0 kg per contact min.

Temperature Rating: Operating temperature: -25°C to +100°C

Environmental: Lead free, RoHS compliant
 Recommended soldering temp: 260°C for 5 seconds



ADAM TECH

909 Rahway Avenue, Union, NJ 07083
 Phone: 908-687-5000 Fax: 908-687-5710

TITLE: RIGHT ANGLE, PC BOARD MOUNT
 DIN JACK

UNLESS OTHERWISE SPECIFIED ALL DIMENSIONS ARE INCHES [MM]	
TOLERANCES INCHES	TOLERANCES [MM]
.X ± .10	ØX ± .10
.XX ± .020	ØXX ± .015
.XXX ± .015	ØXXX ± .010
APPROVALS	DATE
DRAWN	BW
CHECKED	
APPROVED	

SIZE	PART NO.	REV.
X	DJ-XXX	-
SCALE: NTS	SHEET 1 OF 1	

6 5 4 3 2 1