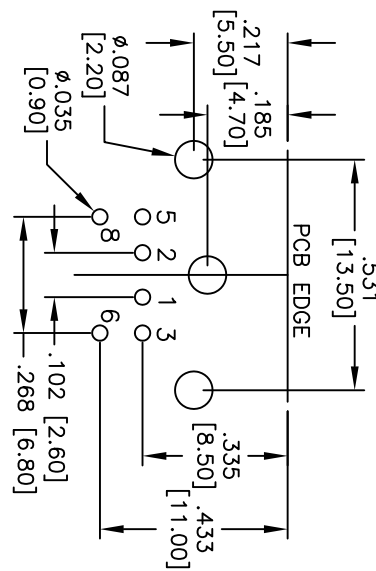
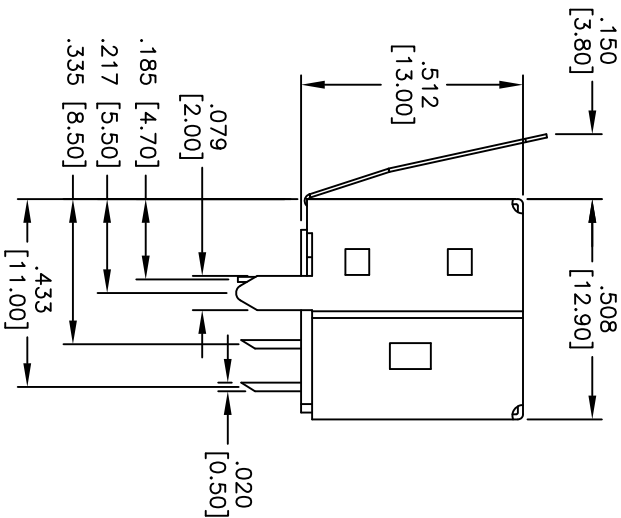
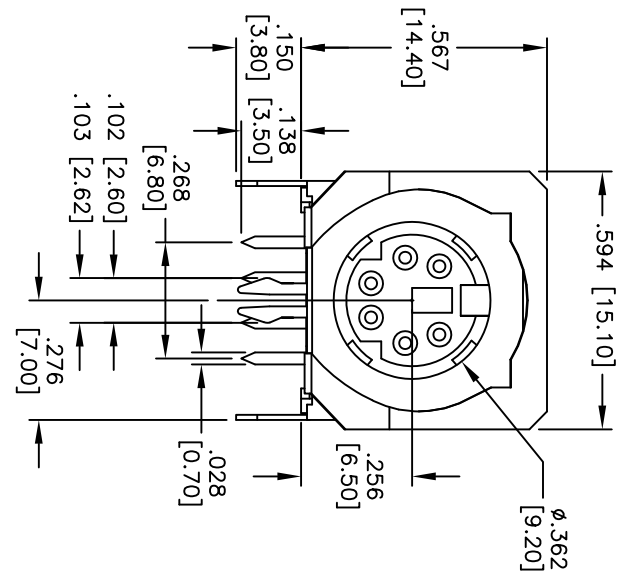


APPROVED: \_\_\_\_\_  
 DATE: \_\_\_\_\_ TITLE: \_\_\_\_\_

Rev	AWO #	Description	Date	Appr
-		RELEASED	4/11/07	
A		REDRAWN	6/10/11	



MATING FACE CONFIGURATIONS

MDJ-003-FS-PG	MDJ-004-FS-PG	MDJ-005-FS-PG	MDJ-006-FS-PG	MDJ-007-FS-PG	MDJ-008-FS-PG

**SPECIFICATIONS:**  
 Material: Insulator: PBT, rated UL 94V-0  
 Insulator color: Black  
 Contacts: Phosphor Bronze  
 Shield: Brass, Tin plated  
 Spring Shield: Stainless  
 Plating: Gold flash over Nickel underplate on contact area, Tin over Copper underplate on tails  
 Electrical: Rated Voltage & Current: DC12V/2A Max; AC100V/1A MAX  
 Contact resistance: 30 mohms max.  
 Insulation resistance: 100 Mohms min.@500V DC  
 Dielectric withstanding voltage: 250 VAC for 1 minute  
 Environmental: Lead free, RoHS compliant.  
 Recommended soldering temp: 235°C for 5 sec.

UNLESS OTHERWISE SPECIFIED ALL DIMENSIONS ARE INCHES [MM] TOLERANCES: EXCEPT AS NOTED INCHES		HOLE SIZES		DATE	
X	± .10	ØXX	± .10		
XX	± .020	ØXXX	± .015		
XXX	± .015	ØXXXX	± .010		
DRAWN		WGM	4/11/07	TITLE	
CHECKED				MINI DIN JACK, FULLY SHIELDED WITH PANEL GROUND	
APPROVED				ADAM TECH 909 Rahway Avenue, Union, NJ 07083 Phone: 908-687-5000 Fax: 908-687-5710	

6	5	4	3	2	1
MDJ-XXX+FS-PG		SCALE: NTS	SHEET 1 OF 1	REV. A	