



EFD20 HIGH FREQUENCY PoE TRANSFORMER

- Designed for Power over Ethernet Applications
- EFD20 Core Design
- Forward and Flyback Topology
- Up to 95 Watt Power Rating
- 12 Pin SMD
- Operating Temperature -40°C to +85°C
- Custom Designs Available

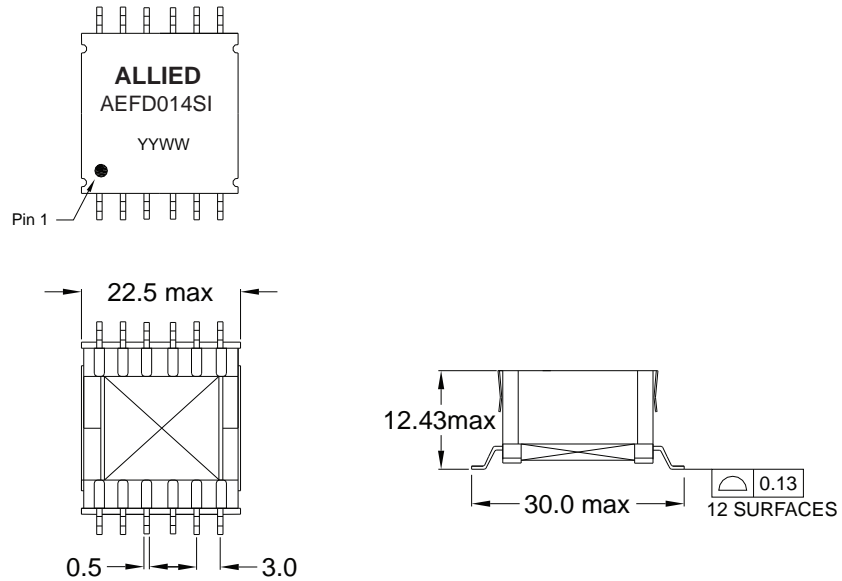
Electrical Specifications @25°C

Part Number	OCL(μH MIN) @100KHz,0.1V, 1.2A BIAS	Turns Ratio (±3%) Np:Ns:Nf	LL @100KHz 0.1V	DCR			HI-POT (Vrms)	Package/ Schematic
				5-6	1,2-3,4	10,11,12-7,8,9		
AEFD014SI	20.5μH min.	1:0.375:0.438	1μH MAX	0.42Ω max	0.15 Ω max	0.055 Ω max	1500	A/1

All specifications subject to change without notice.

MECHANICAL

A



SCHEMATICS

1

