

CGA7G1C0G3F220K110KA

TDK Item Description : CGA7G1C0G3F220KT****



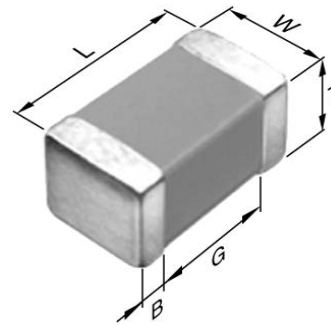
Equivalent C4520C0G3F220K for Automotive

Application & Main Feature

Automotive Grade (High Voltage (1000V and over))

Series

CGA7(4520) [EIA CC1808]



Dimensions

L 4.50mm +/-0.4mm
W 2.00mm +/-0.2mm
T 1.10mm +/-0.2mm
B 0.20mm Min.
G

Temperature Characteristic

C0G (-55 to 125 degC 0+/-30ppm/degC)

Rated Voltage

3F (3000Vdc)

Capacitance

22pF

Capacitance Tolerance

K (+/-10%)

Q Factor

840 Min.

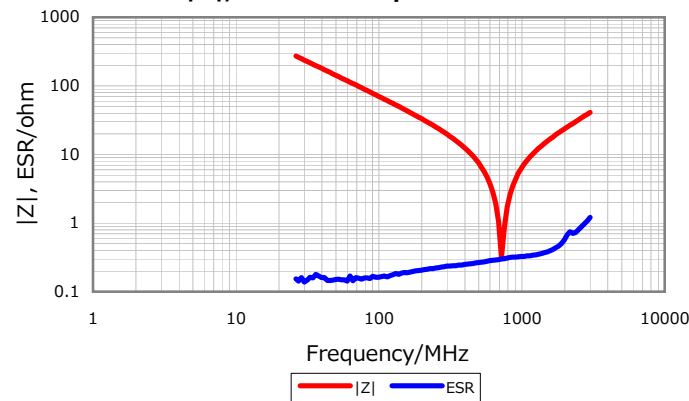
Insulation Resistance

10Gohm Min.

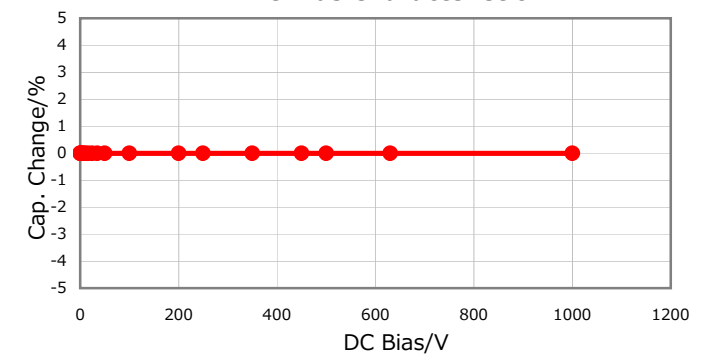
AEC-Q200

Not Applicable

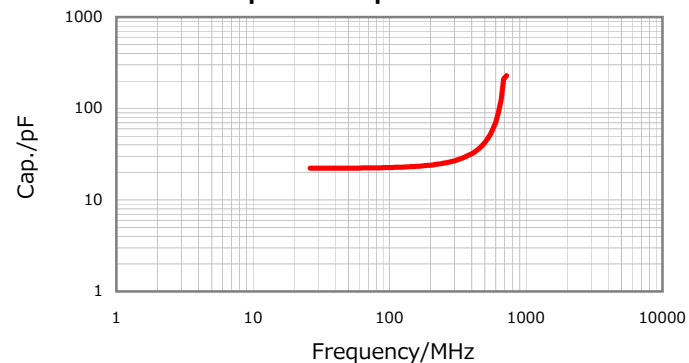
|Z|, ESR vs. Freq. Characteristics



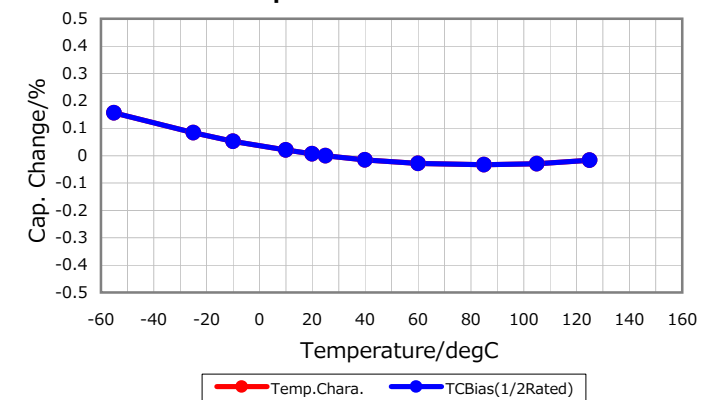
DC Bias Characteristic



Cap. vs. Freq. Characteristic



Temperature Characteristics



Characterization Sheet (Multilayer Ceramic Chip Capacitors)



All specifications are subject to change without notice.

January 4, 2016