

FEATURES

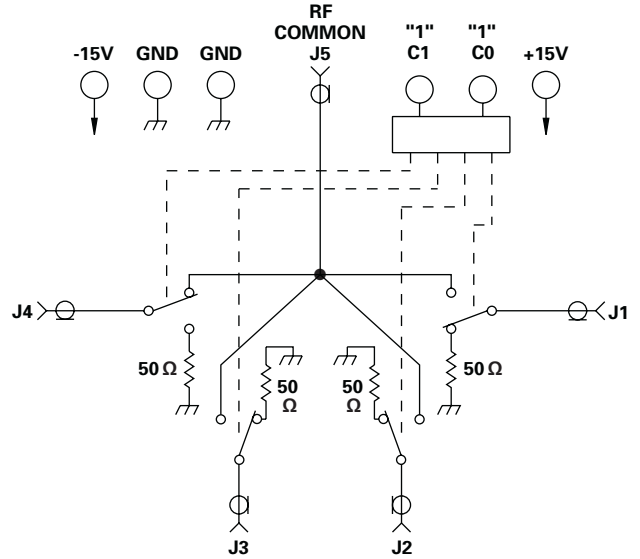
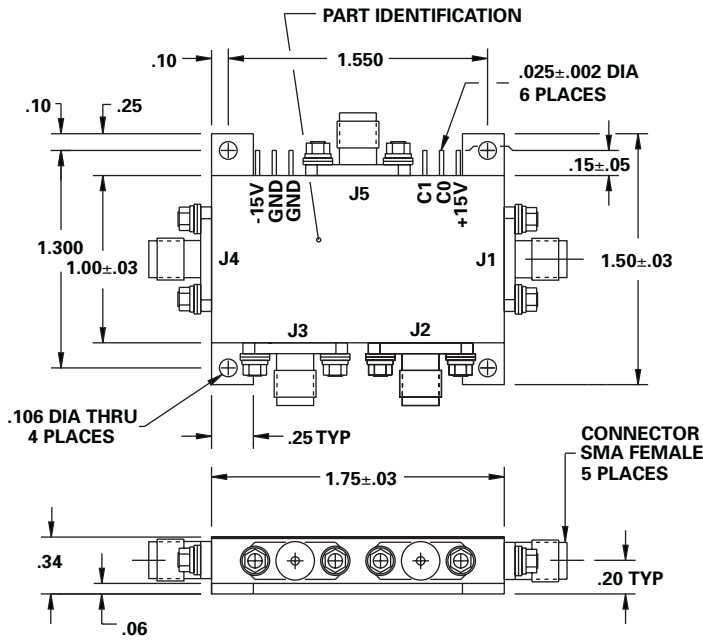
- 50 - 650 MHz
- Highest Intercept Points, +57 dBm
- Fast Switching Speed, 62 nSec
- High Isolation, 80 dB
- Phase Tracking



**MODEL NO.
DSW46218**

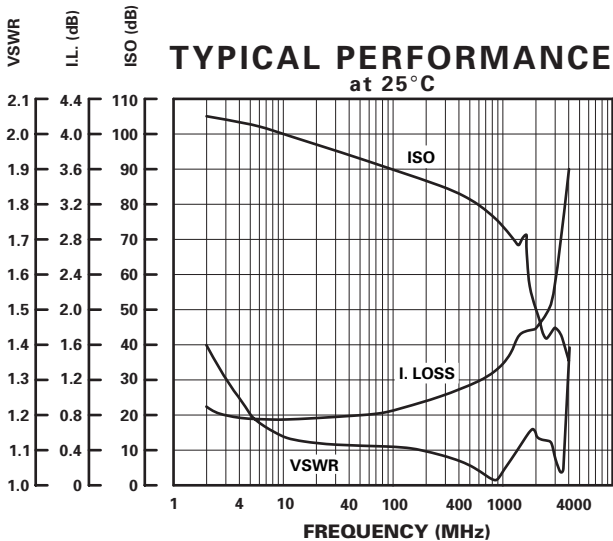
GaAs SP4T

SP4T



GUARANTEED PERFORMANCE

Parameter	Min	Typ	Max	Units	Conditions
Operating Frequency	50		650	MHz	
DC Current		10 2	15 5	mA	At +15 VDC Supply At -15 VDC Supply
Control Type		TTL			See Logic Table
Control Current		±1 ±1	±100 ±100	µA	V _{IH} = +2.7V V _{IL} = +0.5V
Isolation	75	80		dB	
Insertion Loss		1.14	1.5	dB	
Insertion Loss Flatness		±0.16	±0.25	dB	
Phase Tracking		±0.30	±2	deg	Port to Port, 200 - 600 MHz
Time Delay		±1.3	±5.5	psec	Port to Port, 200 - 600 MHz
Amplitude Tracking		±0.01	±0.1	dB	Port to Port
VSWR		Thru Termination	1.1/1 1.15/1	1.15/1 1.5/1	200 - 600 MHz
Impedance		50		OHMS	
Switching Speed		62	100	nSEC	50% TTL to 90% / 10% RF
Transition (Rise/Fall) Time		16		nSEC	10% / 90% or 90% / 10% RF
Switching Transients		-92		dBm	In 3KHz BW At 1KHz PRF
Intercept Points	2nd 3rd	+100 +45	+57	dBm	120 MHz / 70 MHz 60 MHz / 70 MHz
RF Power	Operate No Damage	+22	+20 +27	dBm	(1.0 dB Compression)
Operating Temperature	-55	+25	+125	°C	TA



LOGIC TABLE		
C1	C0	RF PATH
0	0	J5-J1
0	1	J5-J2
1	0	J5-J3
1	1	J5-J4