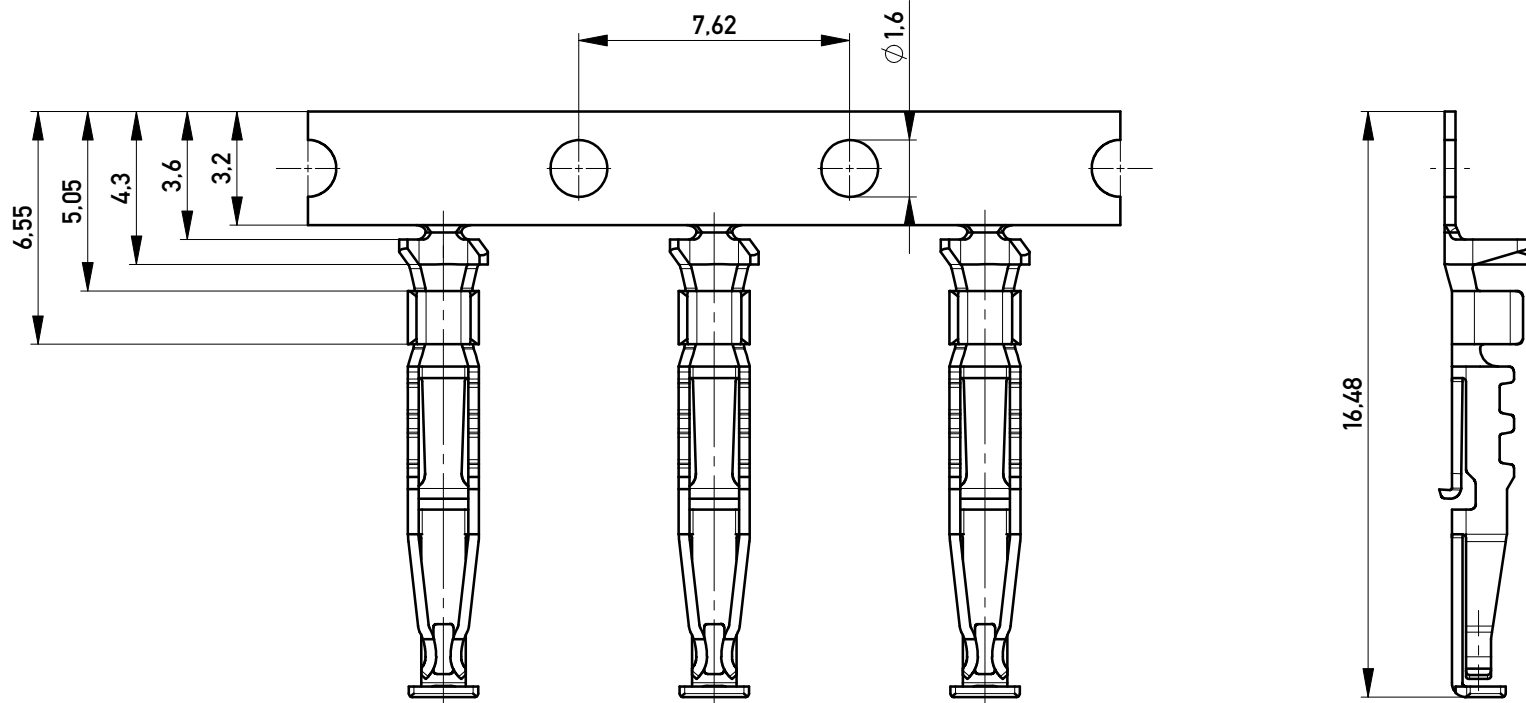
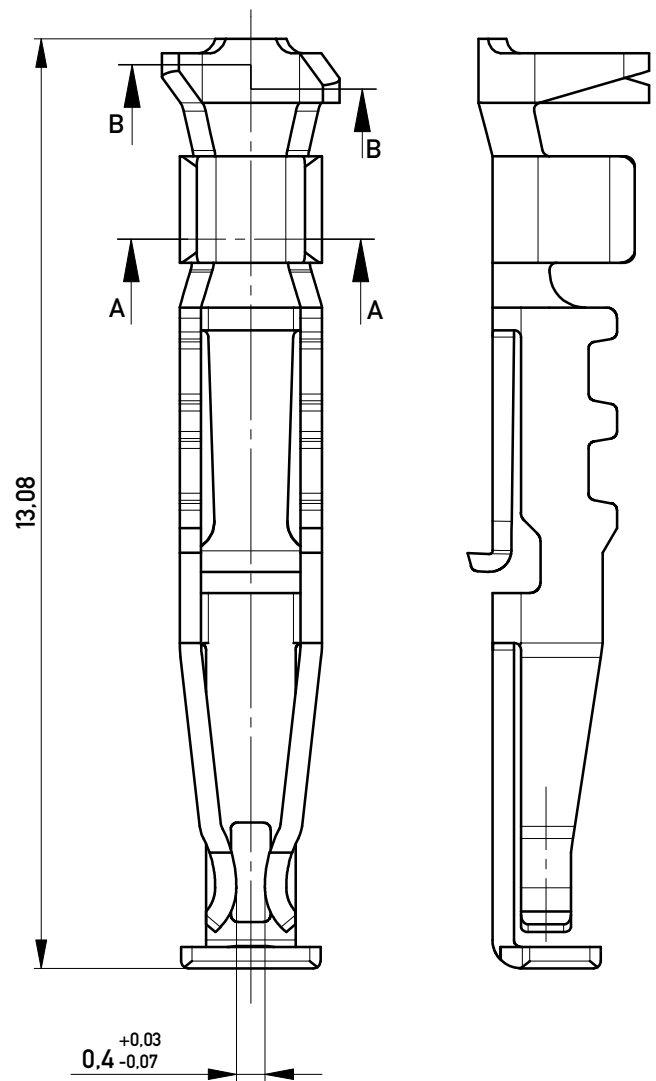


Federkontakte am Band

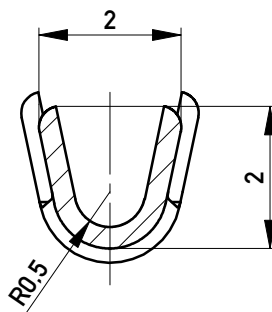


Federkontakt vereinzelt



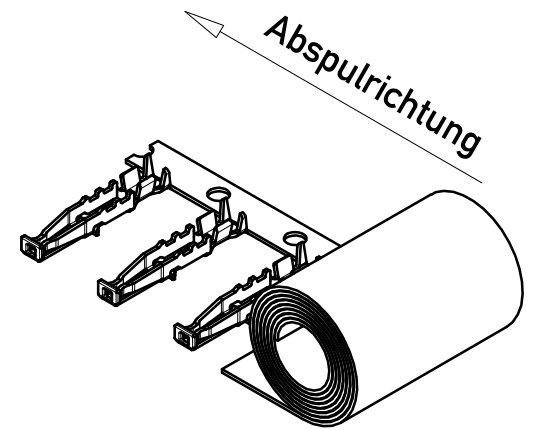
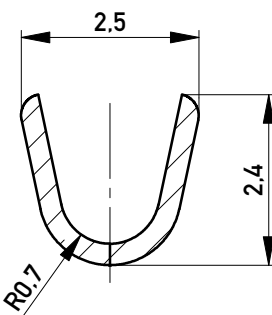
Drahtcrimp

Schnitt A-A
M 10:1



Isolationscrimp

Schnitt B-B
M 10:1



¹ AWG 20 für Isolationsdurchmesser < 1,5mm

AWG 20-22 ¹	10000	Ø630	137	
Leiterquerschnitt <i>wire cross section</i>	Menge	Spulen- durchmesser	Anforder- ungsstufe	Bemerkung

Copyright by ERNI GmbH Proprietary notice pursuant to ISO 16016 to be observed.	Information:	Tolerances	Scale 2:1
	All rights reserved. Only for Information. To ensure that this is the latest version of this drawing, please contact one of the ERNI companies before using.	Subject to modification without prior notice. Drawing will not be updated.	Designation Federkontakte 2,54 SRC-A BA1 <i>Spring contact 2,54 SRC-A</i>
f	10.04.2013	www.ERNI.com	100302420001
Index	Date	Class	SRCBUT K A3