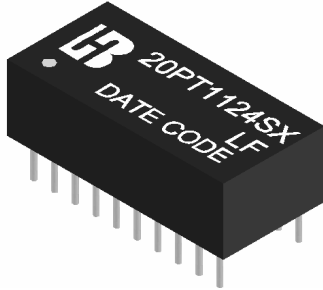


**10/100 BASE-TX LAN MAGNETICS  
FOR AUTO MDI/MDIX APPLICATION  
P/N:20PT1124SX LF DATA SHEET**



**Feature**

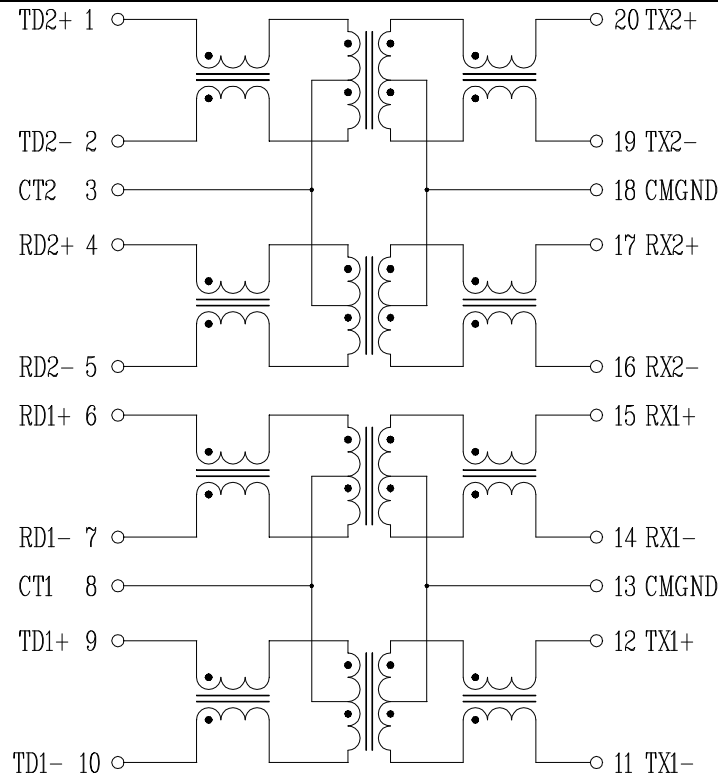


- Compliant with IEEE 802.3u and ANSI X3.263 standards including 350uH OCL with 8mA Bias.
- Symmetrical TX and RX channels for Auto MDI/MDIX capability.
- Compliance with ROHS requirements.
- Operating temperature range : 0°C to +70°C.
- Storage temperature range: -25°C to +85°C.

Electrical Specifications @ 25°C					
Part Number	Turns Ratio (±5%)		OCL( $\mu$ H Min) @100KHz/0.1V with 8mA DC/Bias	DCR ( $\Omega$ Max)	HI-POT (Vrms)
	TX	RX			
20PT1124SX LF	1CT:1CT	1CT:1CT	350	0.9	1500

Continue						
Part Number	Insertion Loss (dB Max)	Return Loss (dB Min)			Cross talk (dB Min)	DCMR (dB Min)
		0.3-100MHz	0.3-30MHz	30-60MHz		
20PT1124SX LF	-1.1	-18	-14	-12	-35	-30

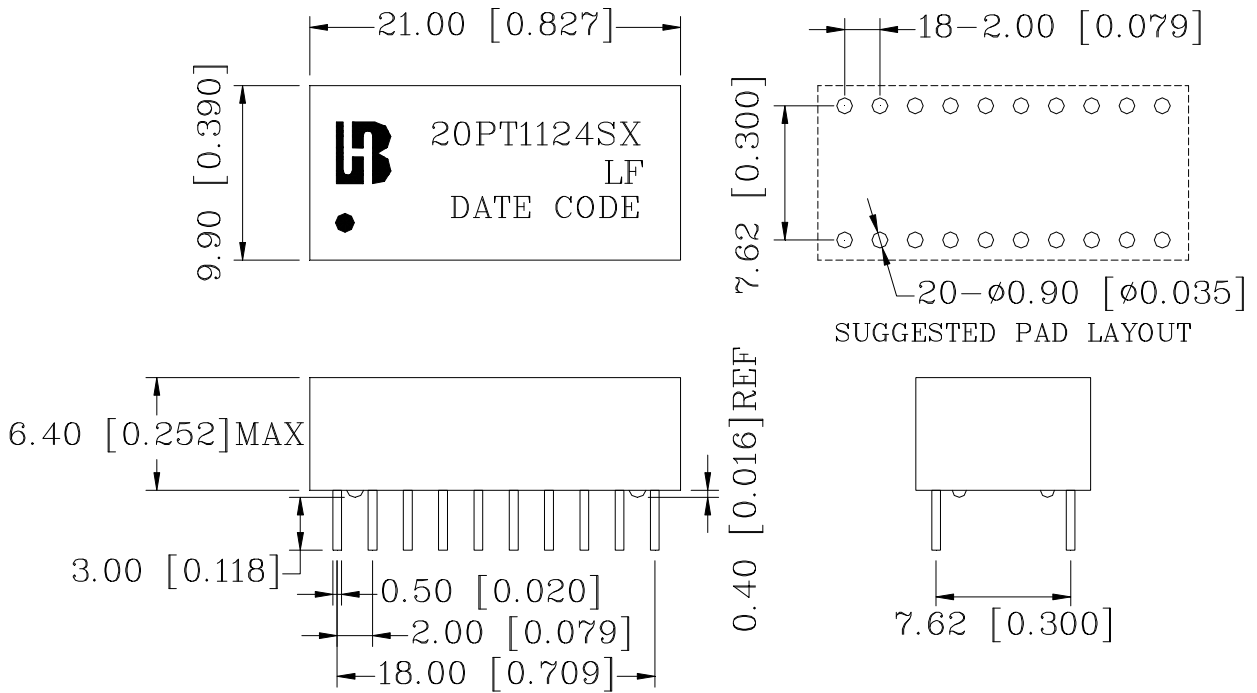
**Schematic**



**10/100 BASE-TX LAN MAGNETICS  
FOR AUTO MDI/MDIX APPLICATION  
P/N:20PT1124SX LF DATA SHEET**



**Mechanical**



Units: mm[Inches] Tolerances: xx.x0±0.25[0.010]  
0.xx±0.05[0.002]