






## LIST OF TYPICAL MODELS

Model	PD30LA	PD40LA	PD40ERB	PD60ER	PD60EA
Item					
Bearing structure	Ball bearing	Ball bearing	Ball bearing	Ball bearing	Ball bearing
Mirror size Number of facets×Inscribed circle diameter×Thickness (mm)	6×φ40×3	6×φ40×4	8×φ40×6	8×φ72×6	8×φ55×6
Flatness (Wave length λ = 632.8 nm)	λ / 4	λ / 6	λ / 2	λ / 4	λ / 6
Reflectivity Wave length: λ Incident angle: i = 30°	85 % minimum λ = 780 nm	85 % minimum λ = 780 nm	85 % minimum λ = 780 nm	85 % minimum λ = 780 nm	85 % minimum λ = 685 nm
Speed range (r/min)	1500 ~ 2000	1600 ~ 2800	3000 ~ 8000	5490	1500 ~ 5000
Dynamic pyramidal angle error Peak-peak / Adjacent (s)	120 / 60	60 / 30	90 / 60	60 / 30	60 / 30
Jitter P-P (%) / RF (%)	0.04 / 0.02	0.03 / 0.01	0.06 / 0.04	0.03 / 0.015	0.03 / 0.015
Supply voltage (V)	24				
Start up current (A)	0.6	0.8	1.0	2.2	0.1
Operating current (A)	0.4	0.4	0.5	0.4	0.6
Start up time (s)	12	15	15	6	30

# QUICK REFERENCE TABLE

## POLYGON LASER SCANNERS

PD60SRB	PD60LA	PT60SRG	PT22ERG	PTC30ERG
				
Ball bearing	Ball bearing	Air bearing	Air bearing	Air bearing
16 × φ 84 × 9	6 × φ 65 × 12	18 × φ 65 × 4	6 × φ 26 × 3	8 × φ 40 × 2
λ / 4	λ / 5	λ / 4		
85 % minimum λ = 780 nm	85 % minimum λ = 632.8 nm	85 % minimum λ = 632.8 nm	85 % minimum λ = 780 nm	85 % minimum λ = 780 nm
15000	1500 ~ 5000	27000	20000 ~ 50000	20000 ~ 60000
60 / 30	20 / 10	80 / 40	90 / 60	90 / 60
0.03 / 0.015	0.018 / 0.01	0.02 / 0.01	0.03 / 0.02	0.03 / 0.02
24				24 ~ 28
2.0	3.0	4.0	2.0	2.0
1.0	0.7	2.0	1.0	1.0
30	30	30	6.0	10

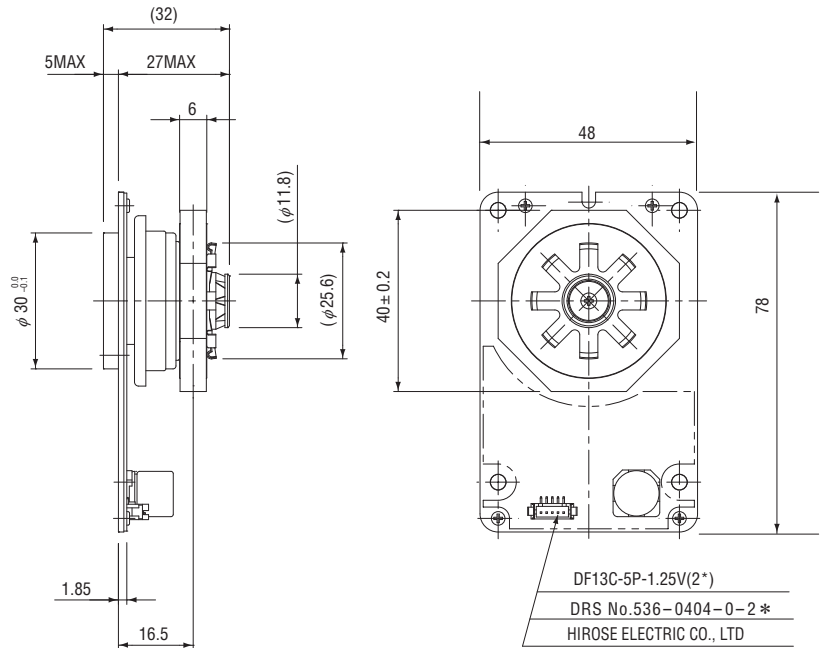
# PD40ERB/PD60ER

## POLYGON LASER SCANNERS

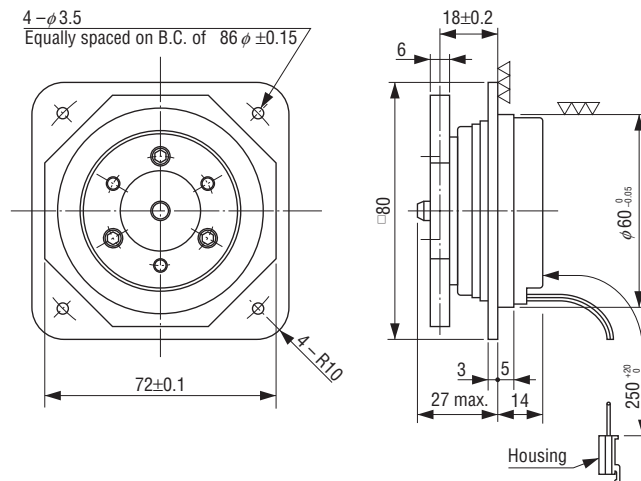
### ■ TYPICAL OUTLINE DIMENSIONS (SCANNER ASSEMBLY)

Unless otherwise specified, tolerance :  $\pm 0.5$  (Unit : mm)

**PD40ERB**



**PD60ER**



**POLYGON LASER SCANNERS listed here are typical value. All our production will be made upon receipt of your order. Please contact your sales agent for details.**