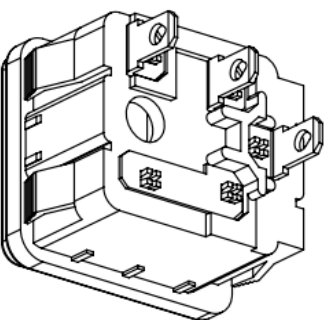
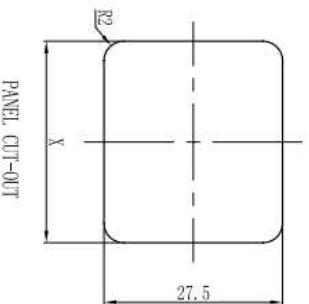
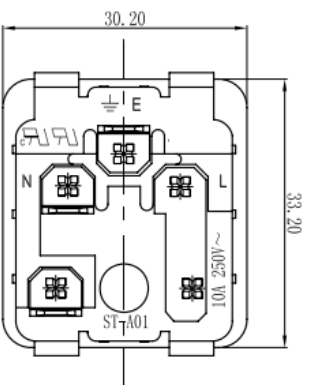
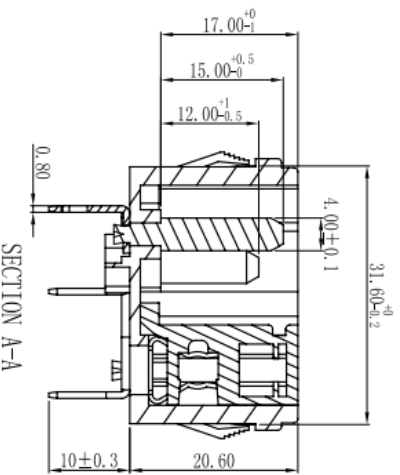


THICKNESS	X
0.8~1.8	31.4
1.9~3.2	31.6



- NOTES:
1. Insulator: PBTUL94V-0 Color: Black
 2. Soldering: Alloy Copper Ni PLATING
 3. Contact : Alloy Copper Tin PLATING
 4. Electrical: 10A/15A 250V~
 5. Approval:

PL UL
 AV UL
 VDE
 SEMKO
 CCC

RoHS compliant

Scale	1:1		
TOLERANCE			
0-10	±0.1		
10-30	±0.2		
30-100	±0.5		
DIM	TOL		
UNIT	mm		

Id.	Modification	Date	Name
①	Drawn	14.12.2007	N.Schulz
②	Update	08.07.2009	Dean
③	Change of plant	18.12.2012	Winnie

Date	Name
14.12.2007	N.Schulz
18.12.2012	Winnie

ASSMANN
W/SW/ components

Customer-No.
ASSMANN W/SW-No.
A-KGS-S/T1F
Drawing-No.
ASS 0889D CO
Replace
rev03
SHEET

1 2 3 4 5 6 7

189