



DT60-P111B4515

Dx60

MID RANGE DISTANCE SENSORS

SICK
Sensor Intelligence.



Ordering information

| Type | Part no. |
|----------------|----------|
| DT60-P111B4515 | 1041885 |

Other models and accessories → www.sick.com/Dx60



Detailed technical data

Performance

| | |
|---|--|
| Measuring range | 2,800 mm ... 1,500 mm, 6 % remission 4,500 mm ... 1,500 mm, 18 % remission 4,500 mm ... 1,500 mm, 90 % remission |
| Resolution | 1.5 mm, Teach resolution ¹⁾ |
| Repeatability | 8 mm ¹⁾ |
| Accuracy | ± 10 mm ¹⁾ |
| Response time | 20 ms ... 150 ms ²⁾ |
| Light source | Laser, red |
| Laser class | 2 (EN 60825-1) |
| Typ. light spot size (distance) | 10 mm x 10 mm (at 2 m) |
| Additional function | Invertable switching output, Invertable analog output, Plug & Play version |
| Laser service life (MTTF at 25 °C) | 50,000 h |

¹⁾ 6 % ... 90 % remission.

²⁾ Adaptiv, dependig on level of remission.

Interfaces

| | |
|-----------------------------------|-----------------------------------|
| Analog output | 4 mA ... 20 mA |
| Resolution analog output | 12 bit |
| Switching output | 1 x PNP (100 mA) ^{1) 2)} |
| Multifunctional input (MF) | 1x Laser off |

¹⁾ Output Q short-circuit protected.

²⁾ PNP: HIGH = $V_S - (< 2 V)$ / LOW = 0 V.

Mechanics/electronics

| | |
|--|--------------------------------|
| Supply voltage V_S | DC 11 V ... 30 V ¹⁾ |
|--|--------------------------------|

¹⁾ Limit values, reverse-polarity protected, operation in short-circuit protected network: max. 8 A.

²⁾ May not fall short of or exceed V_S tolerances.

³⁾ Without load.

| | |
|--------------------------|----------------------------|
| Ripple | $\leq 5 V_{pp}^{2)}$ |
| Power consumption | $\leq 3 W^{3)}$ |
| Warm-up time | $\leq 30 \text{ min}$ |
| Connection type | Male connector, M12, 5-pin |
| Weight | 202 g |

1) Limit values, reverse-polarity protected, operation in short-circuit protected network: max. 8 A.

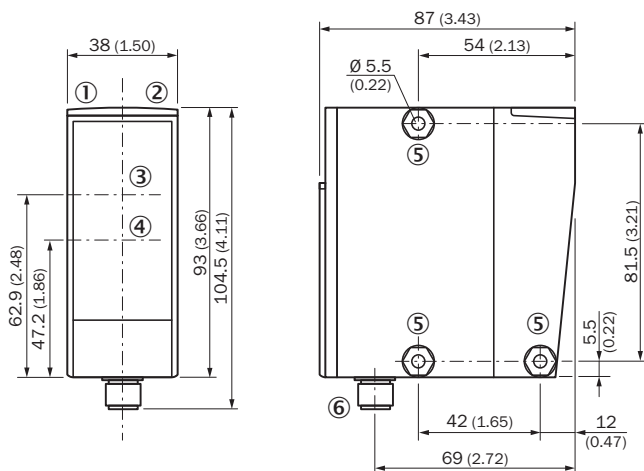
2) May not fall short of or exceed V_S tolerances.

3) Without load.

Ambient data

| | |
|--|--|
| Enclosure rating | IP 67 |
| Protection class | II |
| Electromagnetic compatibility (EMC) | EN 61000-6-2 EN 60947-5-2 |
| Ambient temperature | Operation: $-25\text{ °C} \dots +55\text{ °C}$ Storage: $-25\text{ °C} \dots +75\text{ °C}$ |

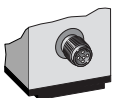
Dimensional drawing (Dimensions in mm (inch))



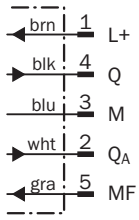
- ① Status indicator switching output
- ② Function indicator
- ③ Optical axis sender
- ④ Optical axis receiver
- ⑤ Fixing hole
- ⑥ Male connector M12, 5-pin

Connection type

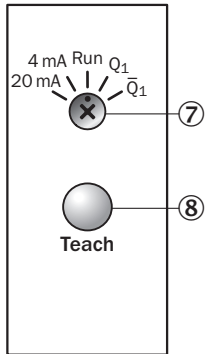
Male connector M12, 5-pin



Connection diagram



Adjustment possible



- ⑦ Rotary switch
- ⑧ Control element

Recommended accessories

Other models and accessories → www.sick.com/Dx60

| | Brief description | Type | Part no. |
|--|---|---------------|----------|
| Mounting brackets and mounting plates | | | |
| | Mounting bracket, steel, zinc coated, without mounting hardware | BEF-WN-DS60 | 4032937 |
| Plug connectors and cables | | | |
| | Head A: female connector, M12, 5-pin, straight Head B: cable Cable: PVC, unshielded, 2 m | DOL-1205-G02M | 6008899 |
| | Head A: female connector, M12, 5-pin, straight Head B: cable Cable: PVC, unshielded, 5 m | DOL-1205-G05M | 6009868 |
| | Head A: female connector, M12, 5-pin, straight Head B: cable Cable: PVC, unshielded, 10 m | DOL-1205-G10M | 6010544 |
| | Head A: female connector, M12, 5-pin, angled Head B: cable Cable: PVC, unshielded, 2 m | DOL-1205-W02M | 6008900 |
| | Head A: female connector, M12, 5-pin, angled Head B: cable Cable: PVC, unshielded, 5 m | DOL-1205-W05M | 6009869 |

| | Brief description | Type | Part no. |
|--|---|---------------|-----------------|
| | Head A: female connector, M12, 5-pin, angled Head B: cable Cable: PVC, unshielded, 10 m | DOL-1205-W10M | 6010542 |

SICK AT A GLANCE

SICK is one of the leading manufacturers of intelligent sensors and sensor solutions for industrial applications. A unique range of products and services creates the perfect basis for controlling processes securely and efficiently, protecting individuals from accidents and preventing damage to the environment.

We have extensive experience in a wide range of industries and understand their processes and requirements. With intelligent sensors, we can deliver exactly what our customers need. In application centers in Europe, Asia and North America, system solutions are tested and optimized in accordance with customer specifications. All this makes us a reliable supplier and development partner.

Comprehensive services complete our offering: SICK LifeTime Services provide support throughout the machine life cycle and ensure safety and productivity.

For us, that is “Sensor Intelligence.”

WORLDWIDE PRESENCE:

Contacts and other locations –www.sick.com