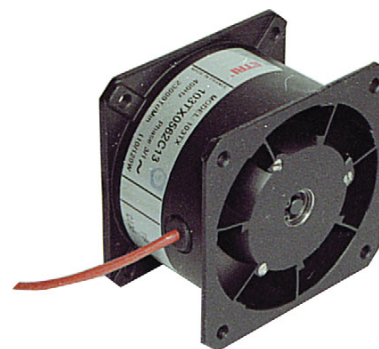
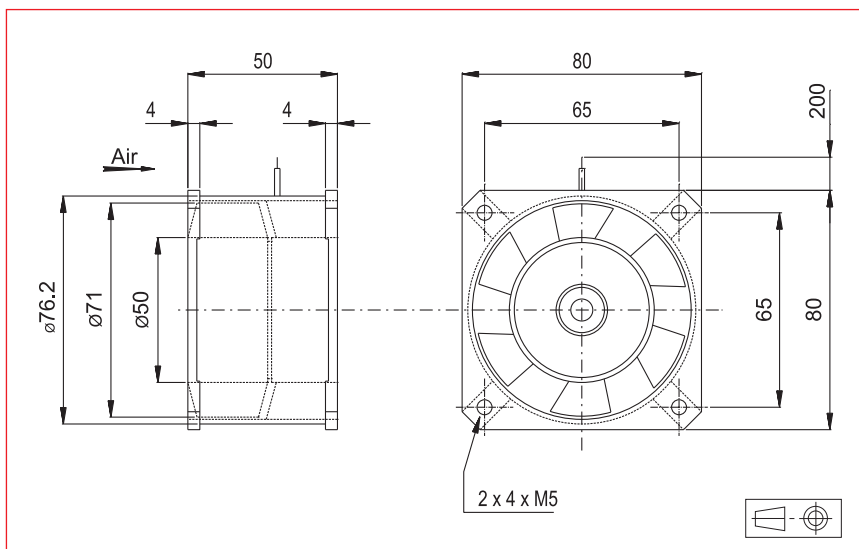


3,15" x 3,15" x 1,968" 80 x 80 x 50 mm

**Series
103T - 82T**

ETRI®

400 Hz Fans



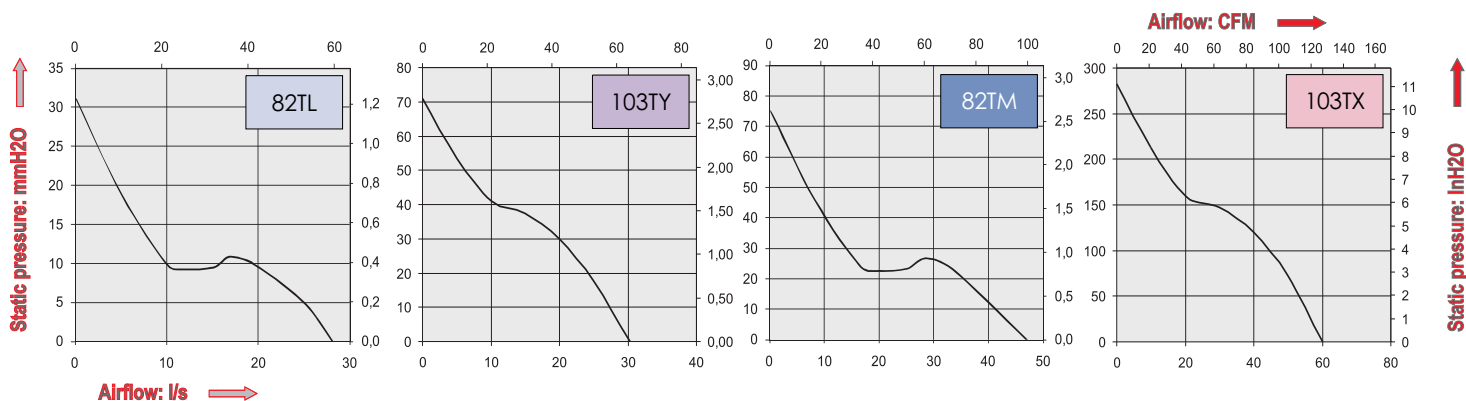
Approvals

NATO codification (not on all part numbers, please consult the factory for more detailed information)

Life expectancy

L-10 LIFE AT 40°C:
25 000 hours

400 Hz Motor
 Housing material: aluminium
 Impeller material: aluminium
 Weight: 480 g
 Bearing system: ball bearings
 Connection: flying leads



Part Number	Nominal voltage	Airflow		Noise level	Nominal speed	Phases	Capacitor (not included)	Input power	Nominal Current	Starting Current	Operating temperature	
	V	l/s	Cfm	dB(A)	RPM		µF	W	mA	mA	Min.°C	Max.°C
82TL0562C13	115	29	61,4	59	7200	3	0,69	25	225	475	-10	70
	115	28	59,3	59	7050	1		24	245	370	-10	70
82TL0560C13	200	29	61,4	59	7200	3	0,22	25	130	275	-10	70
	200	28	59,3	59	7050	1		24	140	210	-10	70
103TY0562C13	115	30	63,6	65	11400	3	0,69	19	160	460	-10	70
	115	30	63,6	65	11400	1		21	180	390	-10	70
103TY0560C13	200	30	63,6	65	11400	3	0,22	19	95	270	-10	70
	200	30	63,6	65	11400	1		21	105	230	-10	70
82TM0562C13	115	47	99,6	68	11200	3	2,2	67	500	1400	-10	70
	115	47	99,6	68	11200	1		72	630	1100	-10	70
82TM0560C13	200	47	99,6	68	11200	3	0,69	67	360	1400	-10	70
	200	47	99,6	68	11200	1		72	500	1100	-10	70
103TX0562C13	115	60	127,1	80	23000	3	3,2	110	690	3300	-10	70
	115	60	127,1	80	23000	1		120	1050	2800	-10	70
103TX0560C13	200	60	127,1	80	23000	3	1	110	400	1900	-10	70
	200	60	127,1	80	23000	1		120	580	1600	-10	70

Additional versions:
 Salt spray protected - Shock and vibration protected - Marine specifications-
 Wide temperature range