



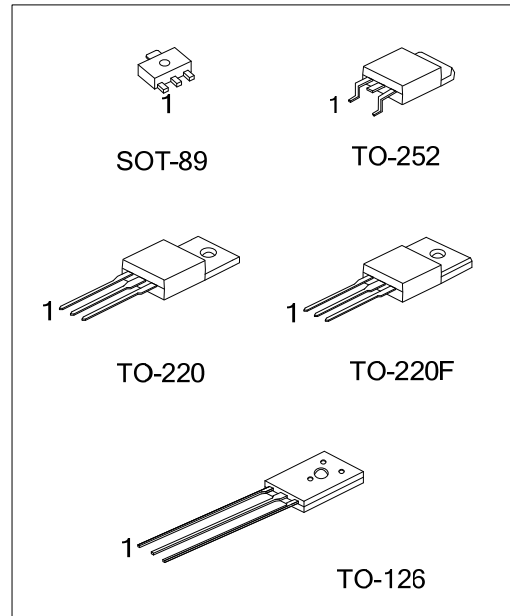
2SB834

PNP SILICON TRANSISTOR

HIGH VOLTAGE TRANSISTOR

■ DESCRIPTION

Low frequency power amplifier applications.



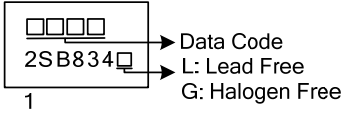
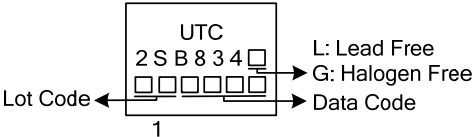
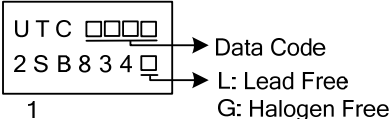
■ ORDERING INFORMATION

Ordering Number		Package	Pin Assignment			Packing
Lead Free	Halogen Free		1	2	3	
2SB834L-x-AB3-R	2SB834G-x-AB3-R	SOT-89	B	C	E	Tape Reel
2SB834L-x-T60-K	2SB834G-x-T60-K	TO-126	E	C	B	Bulk
2SB834L-x-TA3-T	2SB834G-x-TA3-T	TO-220	B	C	E	Tube
2SB834L-x-TF3-T	2SB834G-x-TF3-T	TO-220F	B	C	E	Tube
2SB834L-x-TN3-R	2SB834G-x-TN3-R	TO-252	B	C	E	Tape Reel

Note: Pin Assignment: B: Base C: Collector E: Emitter

<p>2SB834L-x-AB3-R</p> <p>(1)Packing Type (2)Package Type (3)Rank (4)Lead Plating</p>	<p>(1) K: Bulk, T: Tube, R: Tape Reel (2) AB3: SOT-89, T60: TO-126, TA3: TO-220, TF3: TO-220F, TN3: TO-252 (3) x: refer to Classification of h_{FE1} (4) L: Lead Free, G: Halogen Free</p>
---	---

MARKING INFORMATION

PACKAGE	MARKING
SOT-89	 <p> Data Code L: Lead Free G: Halogen Free </p>
TO-220 TO-220F TO-252	 <p> L: Lead Free G: Halogen Free Data Code Lot Code </p>
TO-126	 <p> Data Code L: Lead Free G: Halogen Free </p>

■ ABSOLUTE MAXIMUM RATINGS (Operating temperature range applies unless otherwise specified)

PARAMETER		SYMBOL	RATINGS	UNIT
Collector-Base Voltage		V_{CBO}	-60	V
Collector-Emitter Voltage		V_{CEO}	-60	V
Emitter-Base Voltage		V_{EBO}	-7	V
Collector Current		I_C	-3	A
Base Current		I_B	-0.5	A
Power Dissipation ($T_C=25^\circ\text{C}$)	SOT-89	P_D	3	W
	TO-220		30	W
	TO-252		26	W
	TO-126/TO-220F		25	W
Junction Temperature		T_J	+125	$^\circ\text{C}$
Storage Temperature		T_{STG}	-40 ~ +150	$^\circ\text{C}$

Note: Absolute maximum ratings are those values beyond which the device could be permanently damaged.

Absolute maximum ratings are stress ratings only and functional device operation is not implied.

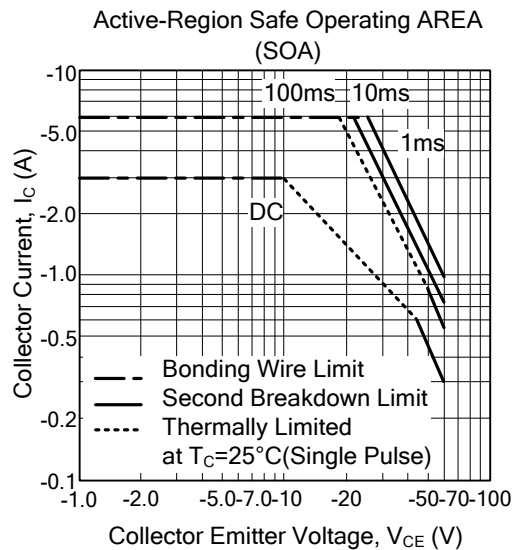
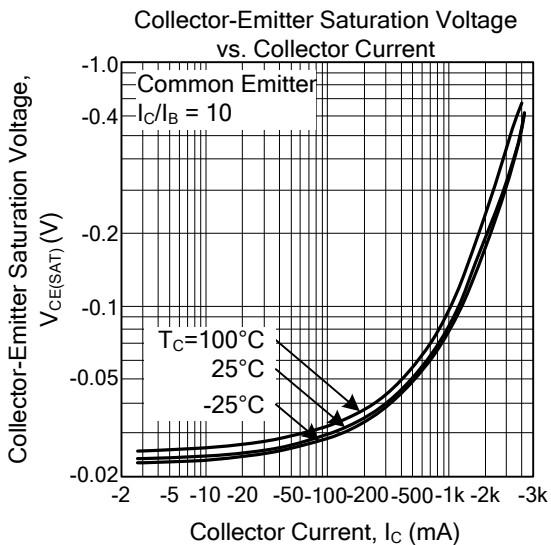
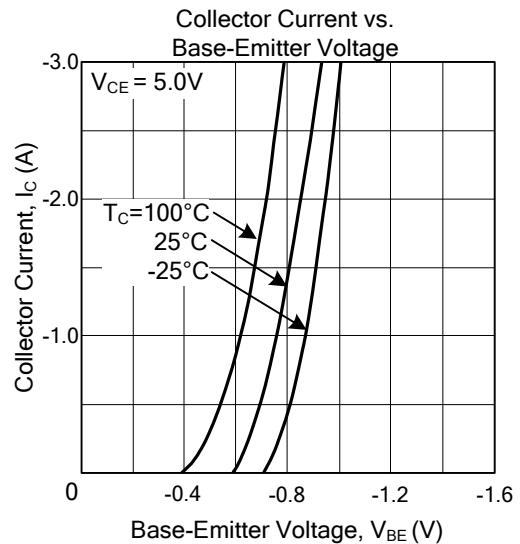
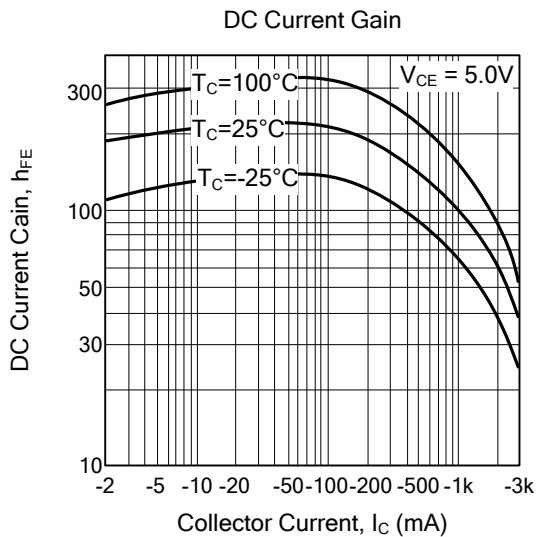
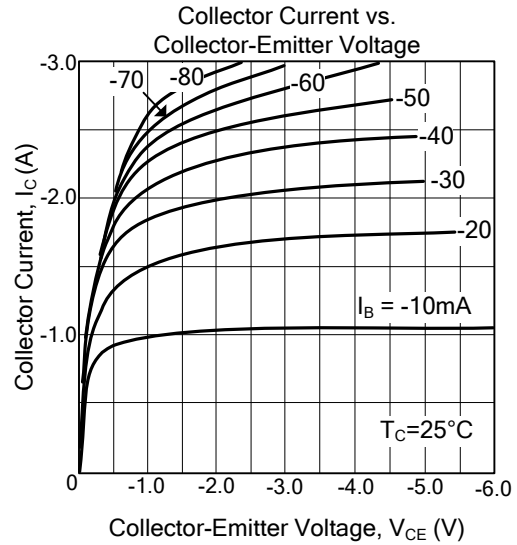
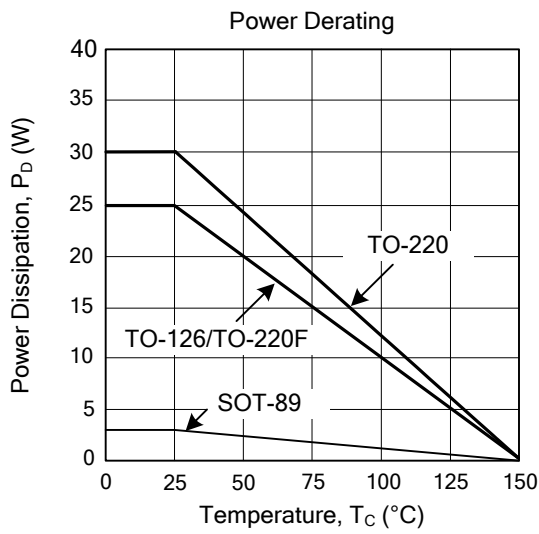
■ ELECTRICAL CHARACTERISTICS ($T_A=25^\circ\text{C}$, unless otherwise specified)

PARAMETER	SYMBOL	TEST CONDITIONS	MIN	TYP	MAX	UNIT
Collector-Emitter Breakdown Voltage	BV_{CEO}	$I_C=-50\text{mA}$	-60			V
Collector Cut-Off Current	I_{CBO}	$V_{CB}=-60\text{V}$			-100	μA
Emitter Cut-Off Current	I_{EBO}	$V_{EB}=-7\text{V}$			-100	μA
Collector-Emitter Saturation Voltage	$V_{CE(SAT)}$	$I_C=-3\text{A}, I_B=0.3\text{A}$			-1	V
Base-Emitter On Voltage	$V_{BE(ON)}$	$V_{CE}=-5\text{V}, I_C=-0.5\text{A}$		-0.7	-1	V
DC Current Gain	h_{FE1}	$I_C=-0.5\text{A}, V_{CE}=-5\text{V}$	60		300	
	h_{FE2}	$I_C=-3\text{A}, V_{CE}=-5\text{V}$	20			
Current Gain Bandwidth Product	f_T	$V_{CE}=-5\text{V}, I_C=-0.5\text{A}$		9		MHZ

■ CLASSIFICATION of h_{FE1}

RANK	O	Y	GR
RANGE	60-120	100-200	150-300

TYPICAL CHARACTERISTICS



UTC assumes no responsibility for equipment failures that result from using products at values that exceed, even momentarily, rated values (such as maximum ratings, operating condition ranges, or other parameters) listed in products specifications of any and all UTC products described or contained herein. UTC products are not designed for use in life support appliances, devices or systems where malfunction of these products can be reasonably expected to result in personal injury. Reproduction in whole or in part is prohibited without the prior written consent of the copyright owner. The information presented in this document does not form part of any quotation or contract, is believed to be accurate and reliable and may be changed without notice.