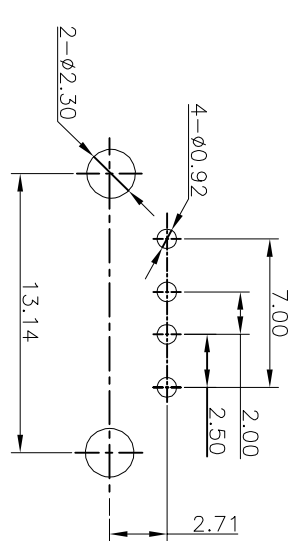
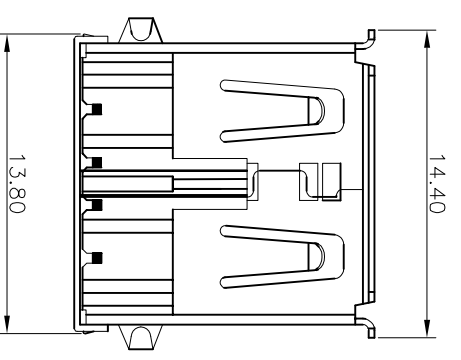
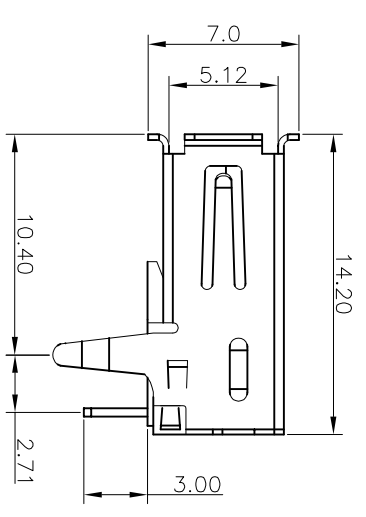
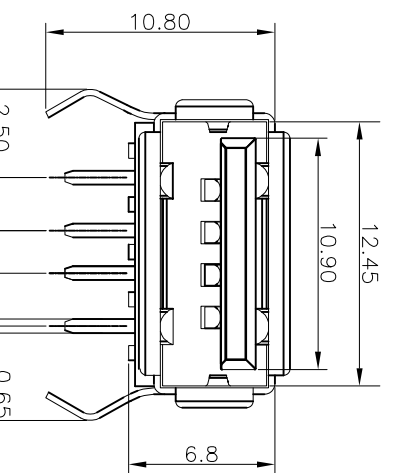


1 2 3 4 5 6 7



RECOMMENDED P.C.B. LAYOUT
(TOLERANCE:±0.05)

NOTES:

1. Material:
 - 1.1 Housing: PBT+30%GF UL94V-0, Color White
 - 1.2 Shell: Brass
 - 1.3 Contact :Phosphor Bronze
2. FINISH:
 - 2.1 Contact Area: Selective 5u"Au
Solder Area: Tin Plated
Under: Ni Plated
3. MECHANICAL:
 - 3.1 Mating Force:3.57kgf Max.
 - 3.2 Unmating Force:1.02kgf Min
 - 3.3 Durability:1500 cycles Min
4. ELECTRICAL:
 - 4.1 Current Rating:1.5A
 - 4.2 Dielectric Strength:500V AC FOR 1 MINUTE
 - 4.3 Contact Resistance:30mΩ Max
 - 4.4 Insulation Resistance:1000 MΩ Min
5. Operating temperature: -55°C TO +85°C
6. PACKING: Tray

RoHS compliant

Scale	Free	Customer-No.	
TOLERANCE			
.X	±0.30	Drawn	Winnie
.XX	±0.20	Approved	Winnie
.XXX	±0.10		
DIM	TOL	ASSMANN WSW-No. ① AU-Y1005	
X.°	±5°	Change the P/N AU-Y1005-R to AU-Y1005	Drawing-No. ASS 5773 CO
Angle	TOL	Drawn	Replace
UNIT	mm	Id.	SHEET
		Modification	
		Date	
		Name	



1 2 3 4 5 6 7

H G F E D C B A