

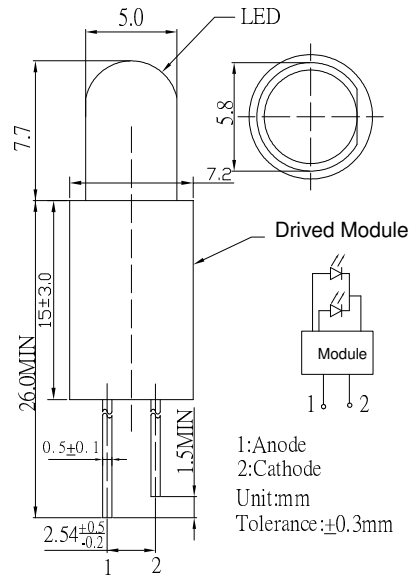
**■ Features**

- High Luminous LEDs
- 5mm Round Standard Directivity
- Superior Weather-resistance
- UV Resistant Epoxy
- Used 0.8~1.6V DC Drive (Such 1 piece AA or AAA Size Battery )
- Cost Effective (Saves Space and battery Cost)
- Bi-Color
- White diffused Type

**■ Applications**

- Flashlight
- Other Lighting

**■ Outline Dimension**

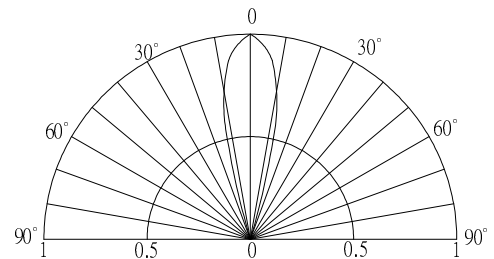


**■ Absolute Maximum Rating**

(Ta=25°C)

Item	Symbol	Value	Unit
DC Forward Voltage	V <sub>F</sub>	1.7	V
Oscillator Frequency*	Fled	1.8	Hz
Duty Cycle	Duty	1/2	-
Operating Temperature	Topr	-30 ~ +85	°C
Storage Temperature	Tstg	-30 ~ +85	°C
Lead Soldering Temperature	Tsol	260°C/5sec	-

**■ Directivity**



**■ Electrical -Optical Characteristics (Ta=25°C)**

Part Number	Color		I <sub>F</sub> (mA)		I <sub>v</sub> (mcd)*			λD(nm)*			2θ1/2(deg)
			Input	In LED	Min.	Typ.	Max.	Min.	Typ.	Max.	Typ.
			V <sub>F</sub> = 1.2V		V <sub>F</sub> = 1.2V						
OSBWDS5A32A-1V	Cool White	W	20±5	7±2	750	1120	-	X=0.27, Y=0.28			30
	Blue	B			500	750	-	465	470	475	
OSRPMS5A32A-1V	Red	R	20±5	7±2	750	1120	-	620	625	630	
	Pure Green	G			1120	1560	-	520	525	530	
OSRBMS5A32A-1V	Red	R	20±5	7±2	750	1120	-	620	625	630	
	Blue	B			500	750	-	465	470	475	

\*1 Tolerance of chromaticity coordinates is ±10%

\*2 Tolerance of luminous intensity is ±15%

\*3 Tolerance of Frequency is ±20%