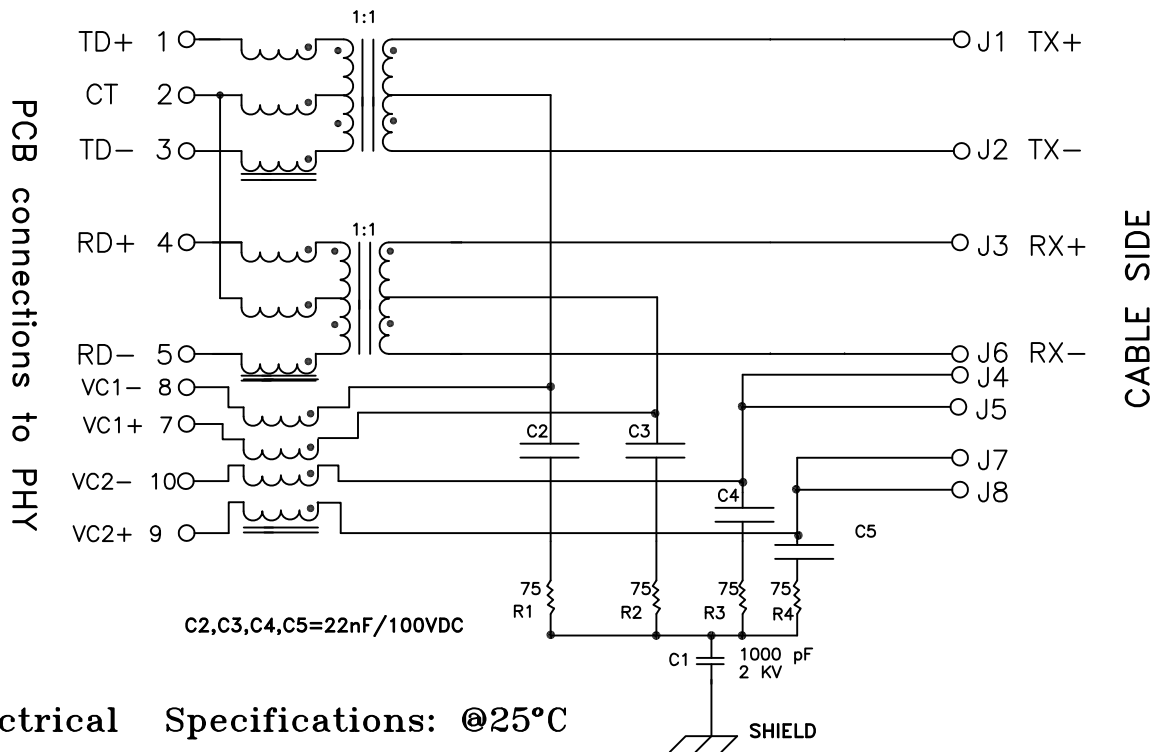


Schematic:



Electrical Specifications: @25°C

Isolation Voltage: 1500 VAc (Input to Output)

Turns Ratio: TX 1CT:1CT ±3% RX 1CT:1CT ±3%

OCL: 350uH Minimum @100KHz 100mV 24mADC

Insertion Loss: -1.0dB Typ @0.1-100 MHz

Insertion Loss: -1.70 dB Typ @100-125 MHz

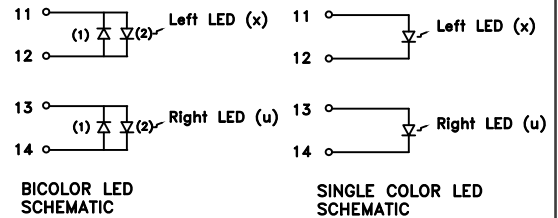
Return Loss: 1-30MHz	40MHz	50MHz	60-80MHz
-16.0dB(Typ)	14.0dB(Typ)	13.0dB(Typ)	12.0dB(Typ)

Cross Talk: 0.1-100MHz 27.0 dB Min

Common Mode Rejection: 0.1-100MHz 30.0 dB Min

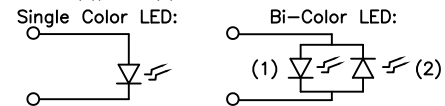
DC Current: 750mA @57Vdc continuous

Q: 5 Min @100KHz 0.1V



Complete the Combo P/N as follows:

Replace 'x' & 'u' in the part number with one of the LED color letters:
 Y=Yellow
 G=Green
 A=Amber
 R=Red
 C=Green(1)/Amber(2) Bicolor
 D=Amber(1)/Green(2) Bicolor
 M=Green(1)/Yellow(2) Bicolor
 N=Yellow(1)/Green(2) Bicolor
 P=Red(1)/Green(2) Bicolor
 Q=Green(1)/Red(2) Bicolor
 E=Red(1)/Yellow(2) Bicolor
 F=Yellow(1)/Red(2) Bicolor
 H=Amber(1)/Yellow(2) Bicolor
 J=Green(1)/Green(2) Bicolor



Notes:

- Solderability: Leads shall meet MIL-STD-202G, Method 208H for solderability.
- Flammability: UL94V-0
- ASTM oxygen index: > 28%
- UL Recognized Component: File Number E165866
- Operating Temperature Range: All listed parameters are to be within tolerance from 0°C to +70°C
- Storage Temperature Range: -55°C to +125°C
- Aqueous wash compatible
- Electrical and mechanical specifications 100% tested
- RoHS Compliant Component

DOC. REV: B/1

PROPRIETARY:

Document is the property of XFMRs Group & is not allowed to be duplicated without authorization.

XFMRs Inc
www.XFMRs.com

Title:

SINGLE PORT POE+ COMBO

UNLESS OTHERWISE SPECIFIED

P/N: XFPOEP1F-CLXu1-4MS

REV. B

TOLERANCES:

DWN.

Xianyi

May-13-16

.xxx ±0.010

Dimensions in Inch

CHK.

YK Liao

May-13-16

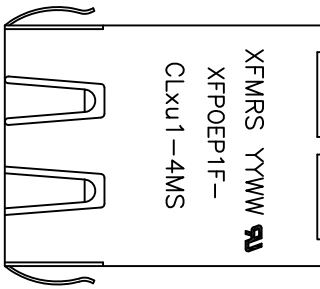
SHEET 1 OF 2

APP.

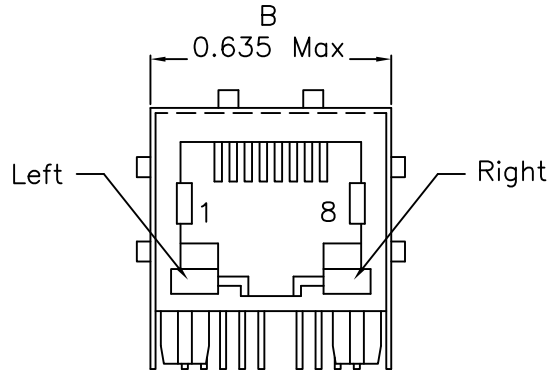
BW

May-13-16

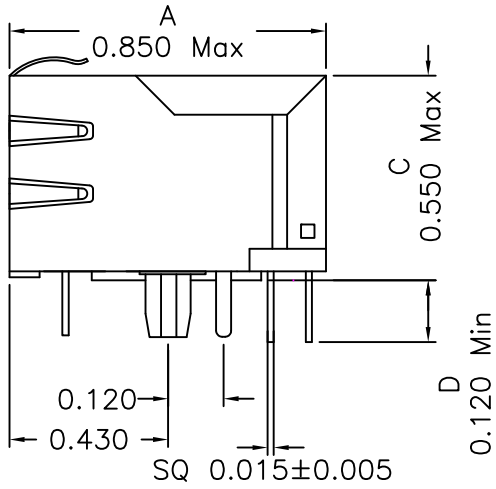
Mechanical Dimensions:



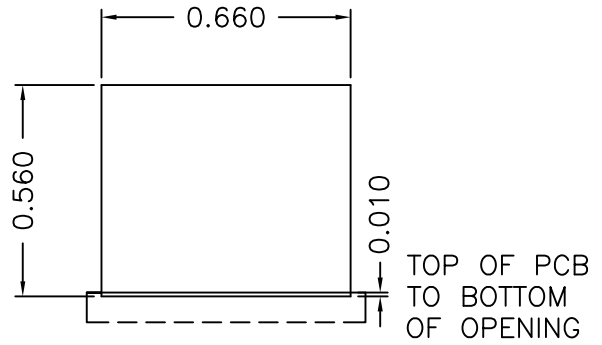
(TOP VIEW)



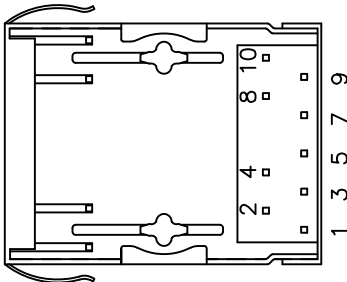
(FRONT VIEW)



(SIDE VIEW)

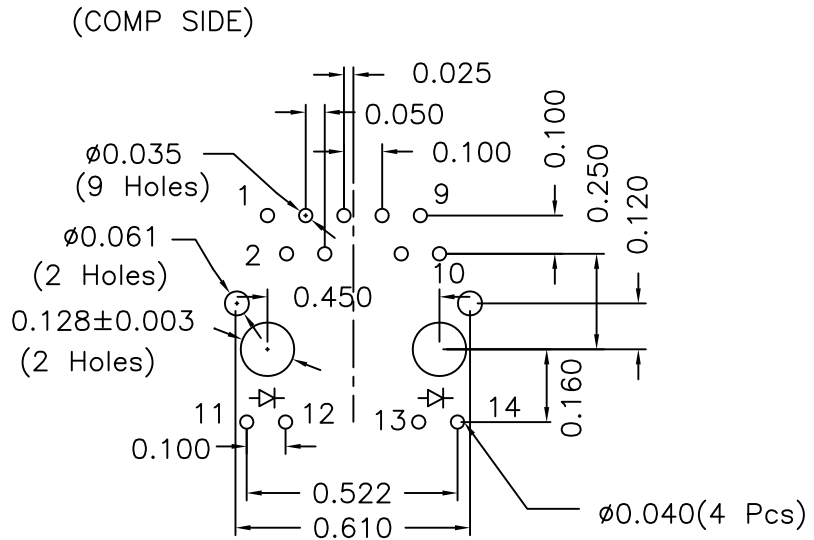


SUGGESTED PANEL CUTOUT DIMENSIONS



(BOTTOM VIEW)

Mounting Pattern:



****Remove Pin6#

DOC REV: B/1

XFMRS Inc.

Title: Mechanical Dimensions
For CLXu1-4MS Series

UNLESS OTHERWISE SPECIFIED
TOLERANCES:

P/N: XFP0EP1F-CLXu1-4MS

REV. B

.xxx ±0.010
Dimensions in Inch

DWN.

Xiang

May-13-16

CHK.

YK Liao

May-13-16

SHEET 2 OF 2

APP.

BW

May-13-16

PROPRIETARY:

Document is the property of XFMRS Group & is not allowed to be duplicated without authorization.