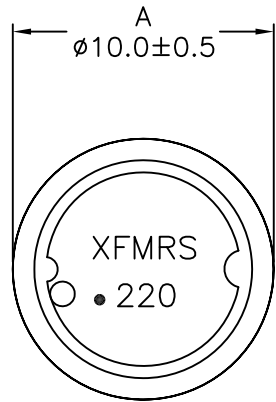
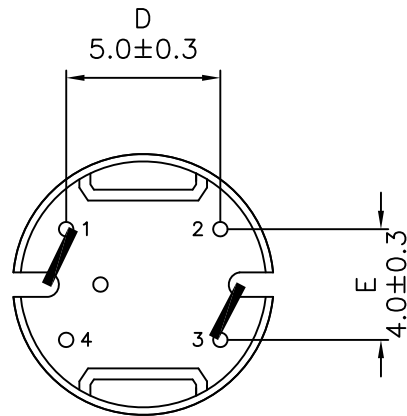
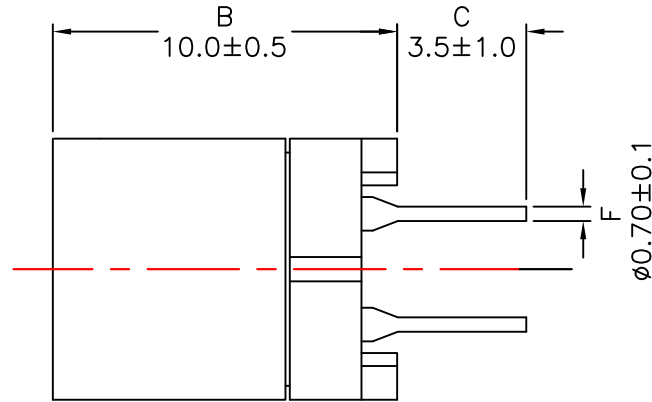


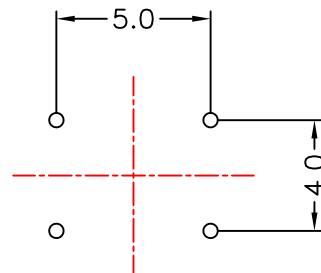
1. Mechanical Dimensions:



TOP VIEW

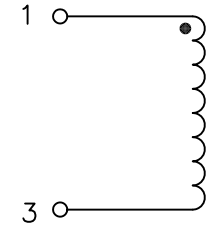


BOTTOM VIEW



PCB LAYOUT

2. Schematic:



3. Electrical Specifications: @25°C

INDUCTANCE: 22.0uH±20% @1MHz, 0.1V

Q: 12 Min @100KHz, 0.1V

DC RESISTANCE: 0.042 Ohms Max

Isat: 3.3Adc (Based on 25% decrease in OCL)

Irms: 3.3A (Based on 40°C Temp Rise)

Notes:

1. Solderability: Leads shall meet MIL-STD-202G, Method 208H for solderability.
2. Flammability: UL94V-0
3. ASTM oxygen index: > 28%
4. Insulation System: Class F 155°C. UL file E151556
5. Operating Temperature Range: All listed parameters are to be within tolerance from -40°C to +85°C
6. Storage Temperature Range: -55°C to +125°C
7. Aqueous wash compatible
8. Electrical and mechanical specifications 100% tested
9. RoHS Compliant Component

Doc. Rev. A/3

XFMRS Inc. www.XFMRS.com	Title: POWER INDUCTOR		
	UNLESS OTHERWISE SPECIFIED TOLERANCES: .xx ±0.25 Dimensions in MM	P/N: XFCR110DM-220M	REV. A
SHEET 1 OF 1	DWN.	Yuan	Jul-28-14
	CHK.	YK Liao	Jul-28-14
	APP.	DDC	Jul-28-14

PROPRIETARY

Document is the property of XFMRS Group & is not allowed to be duplicated without authorization.