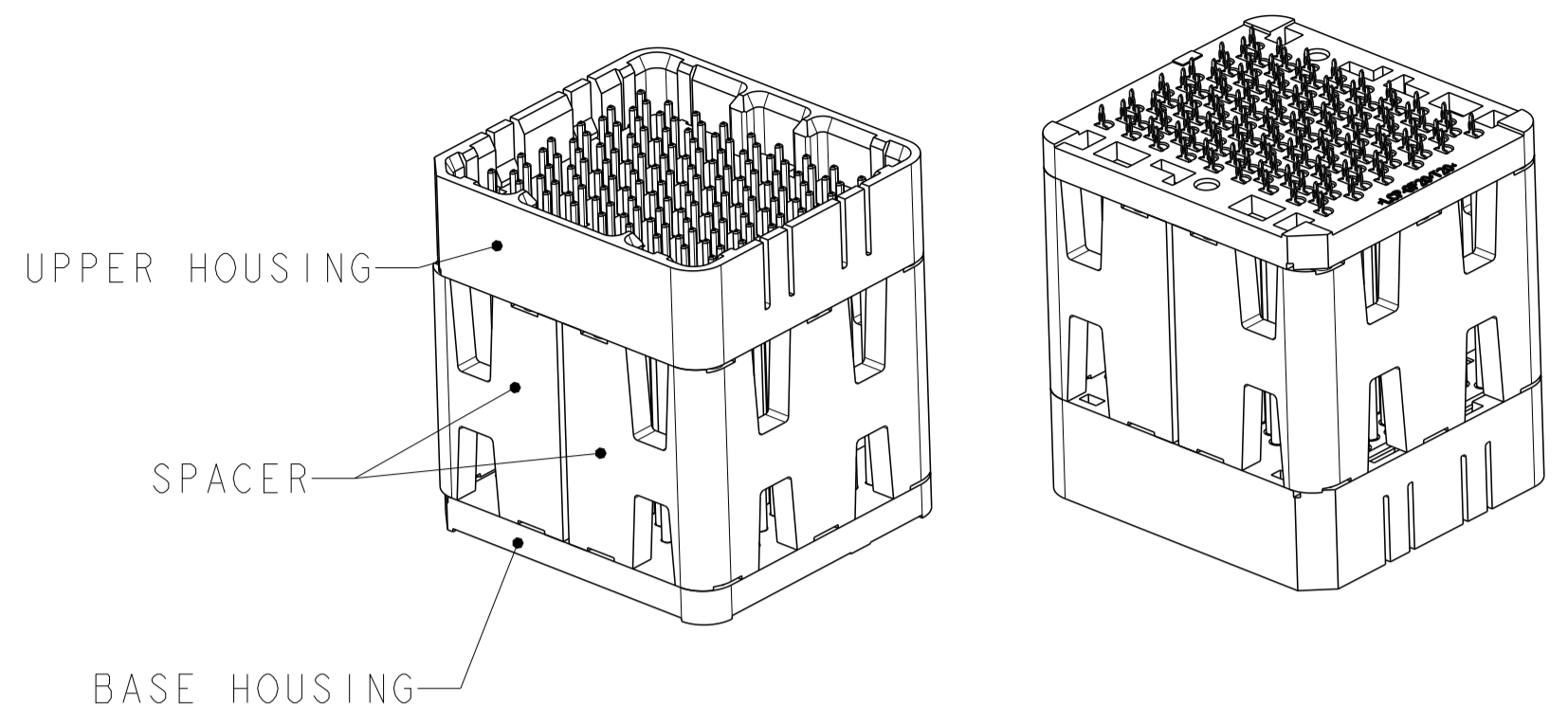
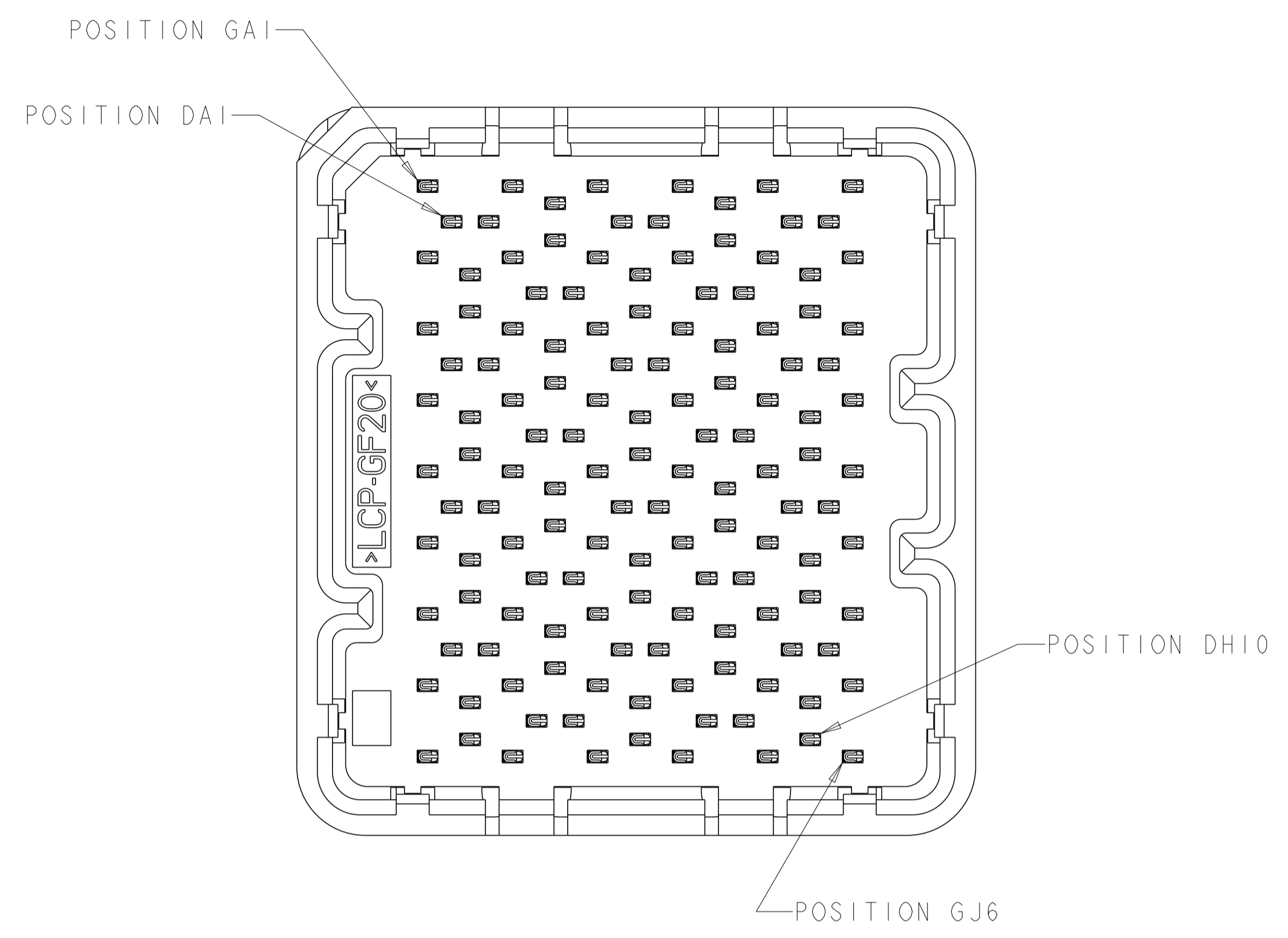
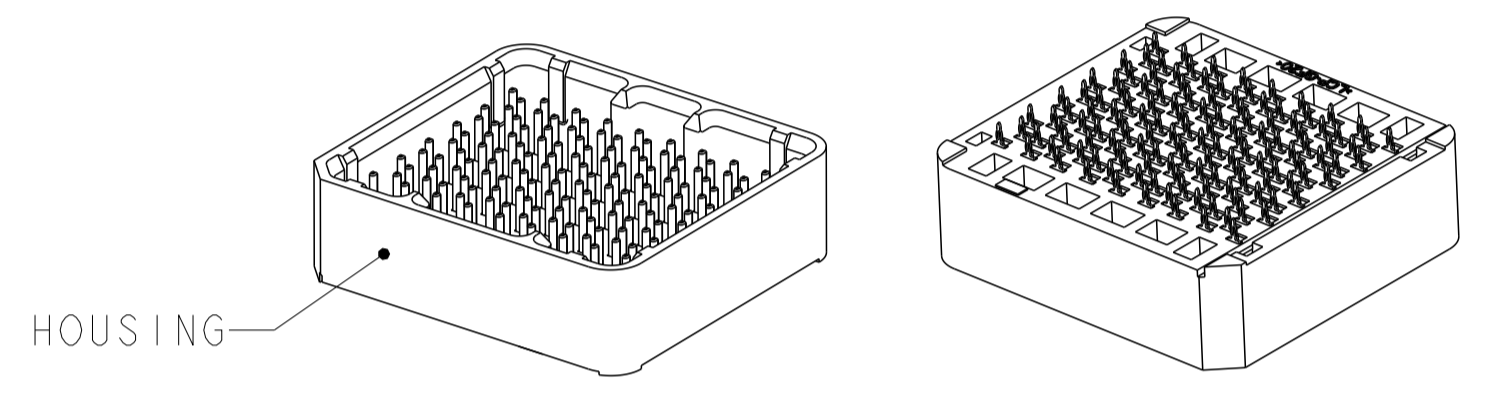


| LOC | DIST | REVISIONS | | | | | |
|-----|------|-----------|-----|---------------------------|-----------|-----|------|
| GP | 00 | P | LTN | DESCRIPTION | DATE | DWN | APVD |
| | | A | | REVISED PER ECO-13-006286 | 22APR2013 | KH | MH |

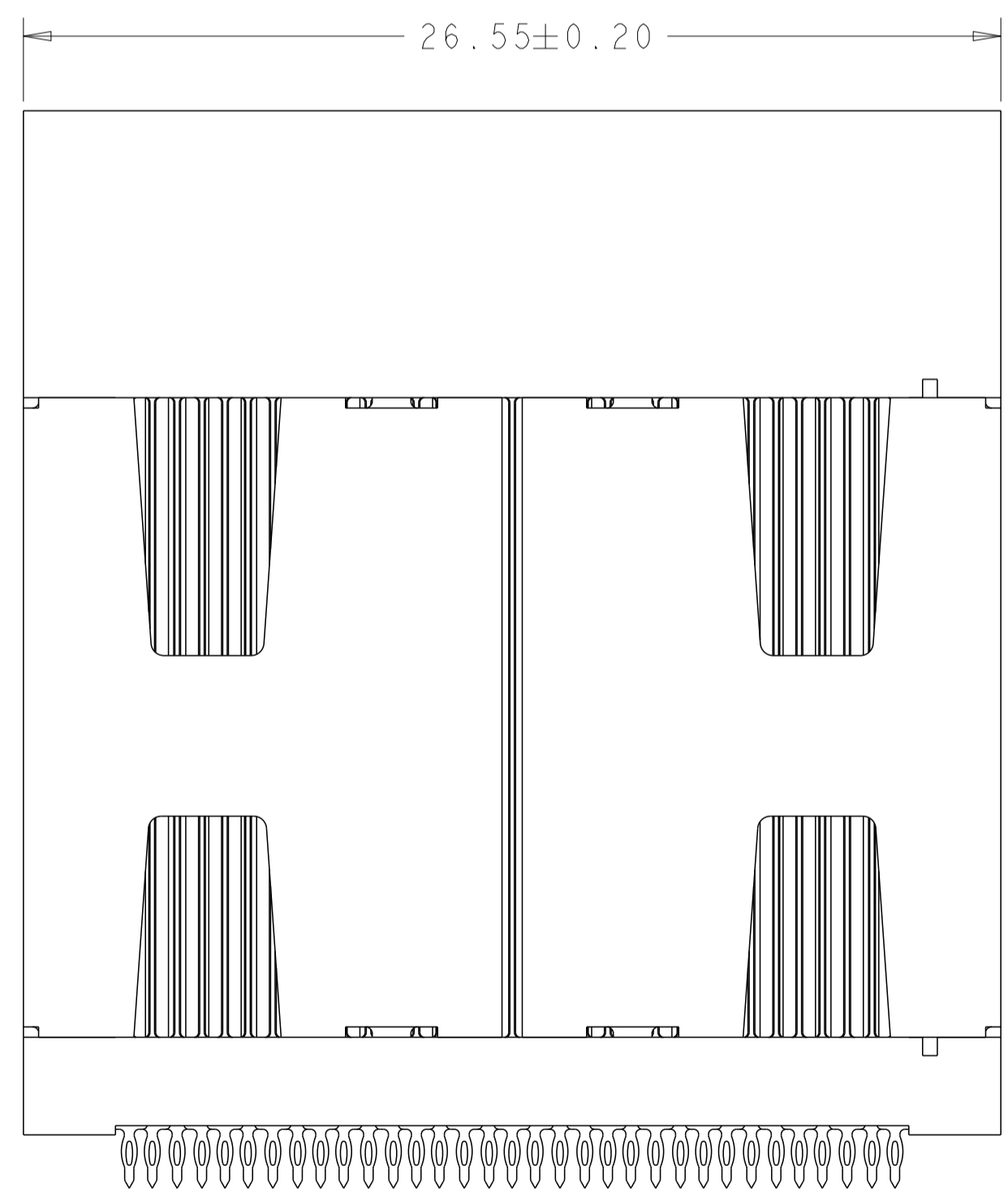
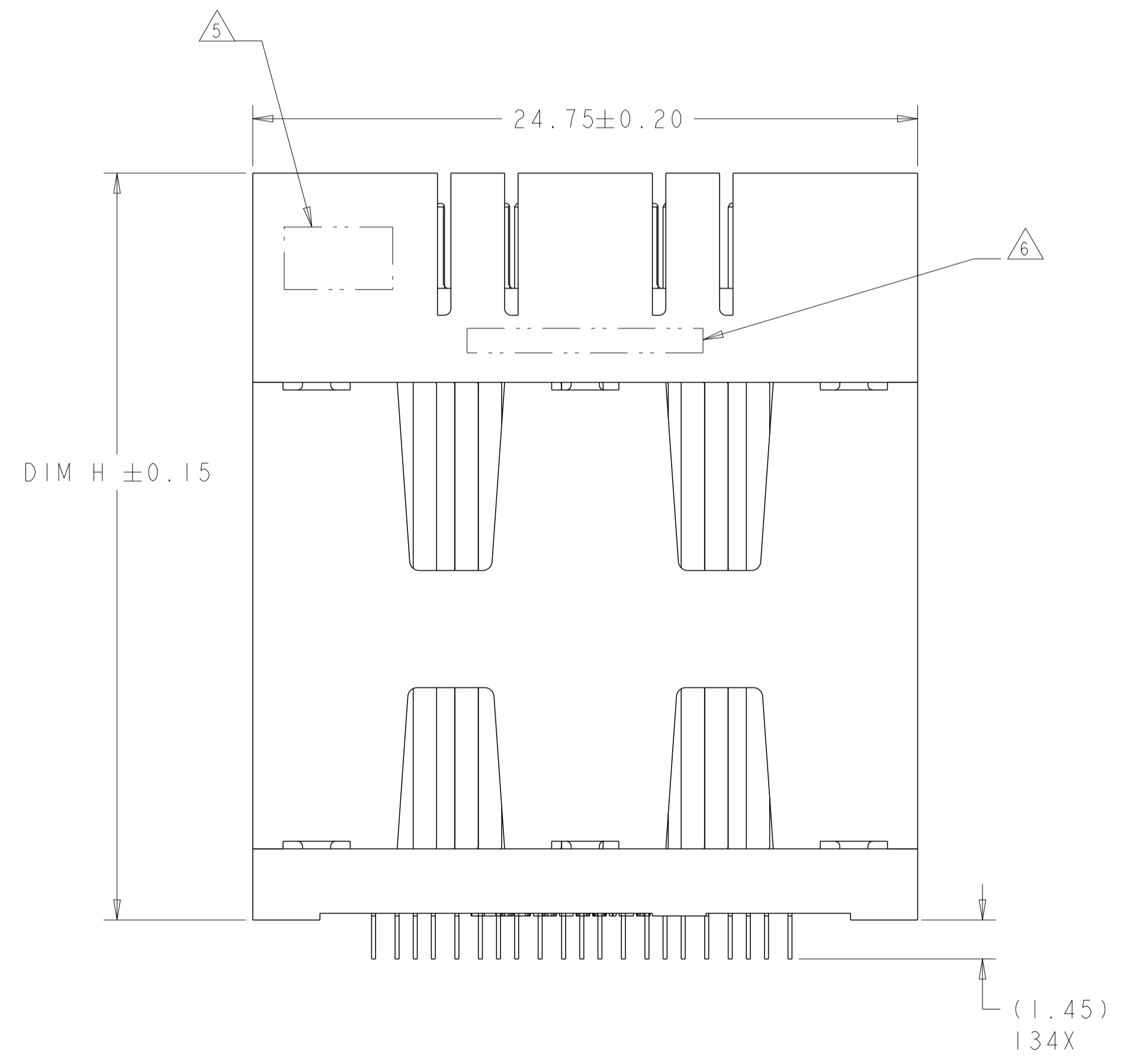


ISOMETRIC VIEWS
 TYPICAL CONFIGURATION FOR 14mm THRU 42mm
 28mm SHOWN
 SCALE 2:1



ISOMETRIC VIEWS
 TYPICAL CONFIGURATION FOR 8mm THRU 13mm
 8mm SHOWN
 SCALE 2:1

- 1 MATERIAL:
 BASE HOUSING, UPPER HOUSING, ORGANIZER,
 AND SPACER: THERMOPLASTIC, FLAMMABILITY
 RATING UL94-V0
 CONTACT: COPPER ALLOY
- 2. CONFORMS TO THE REQUIREMENTS OF TE PRODUCT
 SPECIFICATION, 108-2375; BASED ON TELCORDIA
 GR-1217-CORE FOR SYSTEM QUALITY LEVEL III,
 APPLICATIONS IN CONTROLLED ENVIRONMENTS
 (CENTRAL OFFICE).
 SEE TE PRODUCT SPECIFICATION 108-2375 FOR
 TEST SEQUENCES.
- 3 ROWS GA THRU GJ (SHOWN DARKENED) ARE TYPICALLY
 USED AS GROUNDS.
- 4 SPECIFIED POSITIONAL TOLERANCE DEFINES HOLE TO
 HOLE LOCATION WITHIN HOLE PATTERN. POSITIONAL
 TOLERANCE OF HOLE PATTERN TO FIDUCIAL MARKS
 OR PCB DATUMS SHALL BE DEFINED BY CUSTOMER.
- 5 AREA RESERVED FOR TE CONNECTIVITY LOGO.
- 6 AREA RESERVED FOR PART NUMBER (X-XXXXXX-X)
 AND DATE CODE (YYWW).
- 7 USE CENTERLINES INDICATED ON PCB HOLE PATTERN
 TO ESTABLISH ALIGNMENT BETWEEN HEADER AND
 RECEPTACLE BOARDS.
- 8 PLATED THROUGH HOLE REQUIREMENTS:
 HOLE SIZE PRIOR TO PLATING = $\varnothing 0.420 \pm 0.013$
 COPPER PLATING THICKNESS = 0.038 ± 0.013
 CALCULATED FINISHED HOLE SIZE = $\varnothing 0.344 \pm 0.039$
 THESE DIMENSIONS APPLY TO THE TOP 1.25mm OF
 THE PCB THICKNESS FROM THE CONNECTOR MOUNTING
 SIDE.
- 9 CONTACT SALES FOR AVAILABILITY OF THIS STACK
 HEIGHT.



SIZE 1 HOUSING *
40 DIFFERENTIAL PAIRS
134 TOTAL SIGNAL CONTACTS

* SIZE 2 AND SIZE 3 ARE ALSO AVAILABLE

| | | | |
|--|--|-------------------------------|---|
| THIS DRAWING IS A CONTROLLED DOCUMENT. | | DWN D. RINGLER 14FEB2009 | TE Connectivity |
| DIMENSIONS: mm | | CHK D. TROUT 14FEB2009 | |
| TOLERANCES UNLESS OTHERWISE SPECIFIED: 0 PLC ± 2 PLC ±0.13 3 PLC ±0.013 4 PLC ± ANGLES ±1 FINISH | | APVD J. FEEDER 14FEB2009 | NAME HEADER ASSEMBLY 40/134 SIGNAL STRADA MESA MEZZANINE CONNECTOR |
| MATERIAL | | PRODUCT SPEC 108-2375 | SIZE A1 |
| (1.45) 134X | | APPLICATION SPEC 114-13249 | CAGE CODE DRAWING NO C=2110320 |
| Customer Drawing | | WEIGHT | RESTRICTED TO |
| SCALE 6:1 | | SHEET 1 OF 4 | REV A |

THIS DRAWING IS UNPUBLISHED. RELEASED FOR PUBLICATION 20
 © COPYRIGHT 20 BY - ALL RIGHTS RESERVED.

| LOC | DIST | REVISIONS | | | | | |
|-----|------|-----------|-----|-------------|------|-----|------|
| GP | 00 | P | LYN | DESCRIPTION | DATE | OWN | APVD |
| | | - | | SEE SHEET 1 | | | |
| | | | | | | | |
| | | | | | | | |

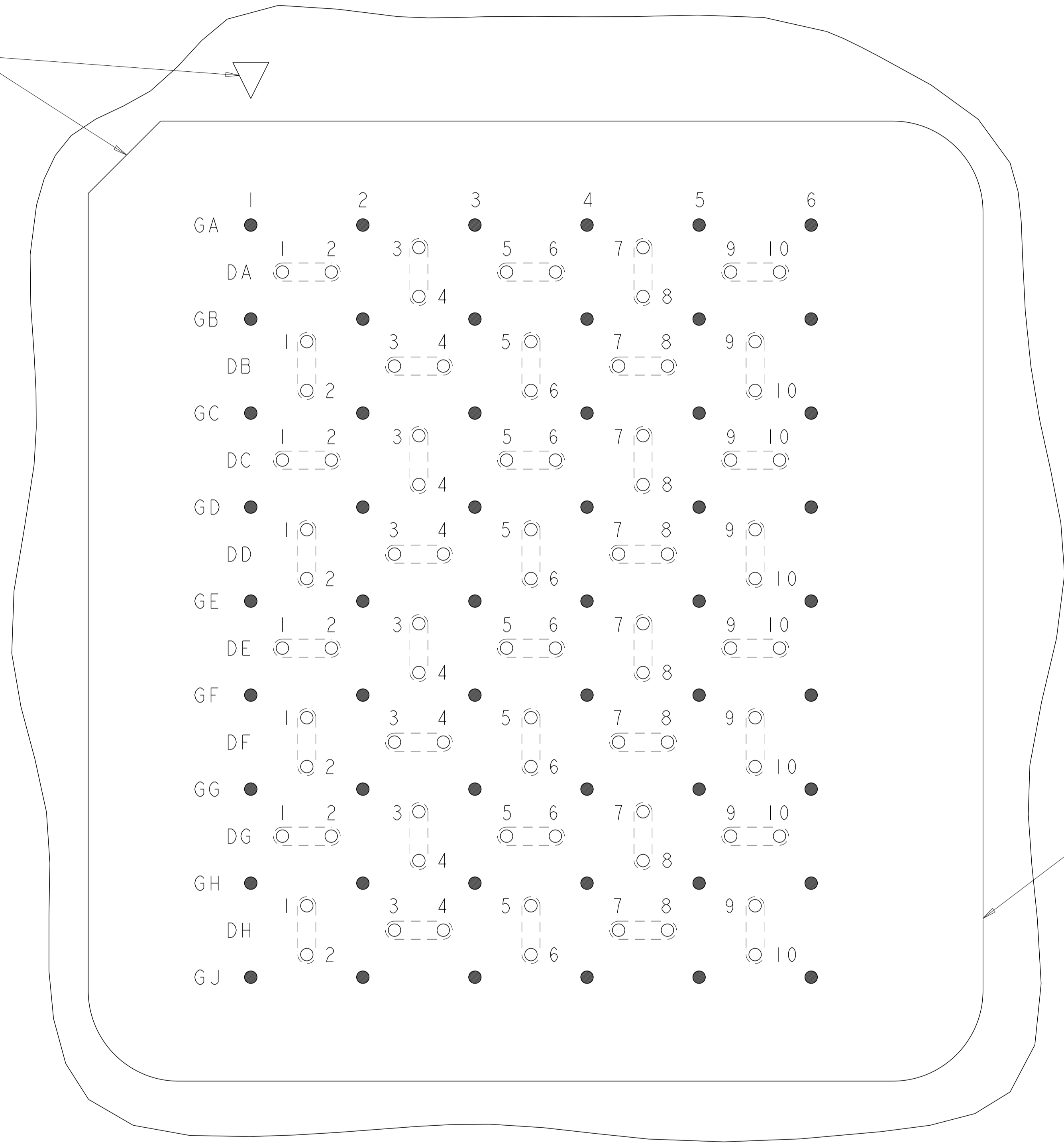
| | | | | |
|--------|-------|--------------|----------------------|-------------|
| | 41.8 | 42mm | MATTE Sn | 9-2110320-2 |
| | 40.8 | 41mm | MATTE Sn | 9-2110320-1 |
| | 39.8 | 40mm | MATTE Sn | 9-2110320-0 |
| | 38.8 | 39mm | MATTE Sn | 8-2110320-9 |
| | 37.8 | 38mm | MATTE Sn | 8-2110320-8 |
| | 36.8 | 37mm | MATTE Sn | 8-2110320-7 |
| | 35.8 | 36mm | MATTE Sn | 8-2110320-6 |
| | 34.8 | 35mm | MATTE Sn | 8-2110320-5 |
| | 33.8 | 34mm | MATTE Sn | 8-2110320-4 |
| | 32.8 | 33mm | MATTE Sn | 8-2110320-3 |
| | 31.8 | 32mm | MATTE Sn | 8-2110320-2 |
| | 30.8 | 31mm | MATTE Sn | 8-2110320-1 |
| | 29.8 | 30mm | MATTE Sn | 8-2110320-0 |
| | 28.8 | 29mm | MATTE Sn | 7-2110320-9 |
| | 27.8 | 28mm | MATTE Sn | 7-2110320-8 |
| | 26.8 | 27mm | MATTE Sn | 7-2110320-7 |
| | 25.8 | 26mm | MATTE Sn | 7-2110320-6 |
| | 24.8 | 25mm | MATTE Sn | 7-2110320-5 |
| | 23.8 | 24mm | MATTE Sn | 7-2110320-4 |
| | 22.8 | 23mm | MATTE Sn | 7-2110320-3 |
| | 21.8 | 22mm | MATTE Sn | 7-2110320-2 |
| | 20.8 | 21mm | MATTE Sn | 7-2110320-1 |
| | 19.8 | 20mm | MATTE Sn | 7-2110320-0 |
| | 18.8 | 19mm | MATTE Sn | 6-2110320-9 |
| | 17.8 | 18mm | MATTE Sn | 6-2110320-8 |
| | 16.8 | 17mm | MATTE Sn | 6-2110320-7 |
| | 15.8 | 16mm | MATTE Sn | 6-2110320-6 |
| | 14.8 | 15mm | MATTE Sn | 6-2110320-5 |
| | 13.8 | 14mm | MATTE Sn | 6-2110320-4 |
| | 12.8 | 13mm | MATTE Sn | 6-2110320-3 |
| | 11.8 | 12mm | MATTE Sn | 6-2110320-2 |
| | 10.8 | 11mm | MATTE Sn | 6-2110320-1 |
| | 9.8 | 10mm | MATTE Sn | 6-2110320-0 |
| YES | 8.8 | 9mm | MATTE Sn | 5-2110320-9 |
| YES | 7.8 | 8mm | MATTE Sn | 5-2110320-8 |
| TOOLED | DIM H | STACK HEIGHT | CONTACT TAIL PLATING | PART NUMBER |

| | | | | |
|--------|-------|--------------|----------------------|-------------|
| | 41.8 | 42mm | Sn/Pb | 4-2110320-2 |
| | 40.8 | 41mm | Sn/Pb | 4-2110320-1 |
| | 39.8 | 40mm | Sn/Pb | 4-2110320-0 |
| | 38.8 | 39mm | Sn/Pb | 3-2110320-9 |
| | 37.8 | 38mm | Sn/Pb | 3-2110320-8 |
| | 36.8 | 37mm | Sn/Pb | 3-2110320-7 |
| | 35.8 | 36mm | Sn/Pb | 3-2110320-6 |
| | 34.8 | 35mm | Sn/Pb | 3-2110320-5 |
| | 33.8 | 34mm | Sn/Pb | 3-2110320-4 |
| | 32.8 | 33mm | Sn/Pb | 3-2110320-3 |
| | 31.8 | 32mm | Sn/Pb | 3-2110320-2 |
| | 30.8 | 31mm | Sn/Pb | 3-2110320-1 |
| | 29.8 | 30mm | Sn/Pb | 3-2110320-0 |
| | 28.8 | 29mm | Sn/Pb | 2-2110320-9 |
| | 27.8 | 28mm | Sn/Pb | 2-2110320-8 |
| | 26.8 | 27mm | Sn/Pb | 2-2110320-7 |
| | 25.8 | 26mm | Sn/Pb | 2-2110320-6 |
| | 24.8 | 25mm | Sn/Pb | 2-2110320-5 |
| | 23.8 | 24mm | Sn/Pb | 2-2110320-4 |
| | 22.8 | 23mm | Sn/Pb | 2-2110320-3 |
| | 21.8 | 22mm | Sn/Pb | 2-2110320-2 |
| | 20.8 | 21mm | Sn/Pb | 2-2110320-1 |
| | 19.8 | 20mm | Sn/Pb | 2-2110320-0 |
| | 18.8 | 19mm | Sn/Pb | 1-2110320-9 |
| | 17.8 | 18mm | Sn/Pb | 1-2110320-8 |
| | 16.8 | 17mm | Sn/Pb | 1-2110320-7 |
| | 15.8 | 16mm | Sn/Pb | 1-2110320-6 |
| | 14.8 | 15mm | Sn/Pb | 1-2110320-5 |
| | 13.8 | 14mm | Sn/Pb | 1-2110320-4 |
| | 12.8 | 13mm | Sn/Pb | 1-2110320-3 |
| | 11.8 | 12mm | Sn/Pb | 1-2110320-2 |
| | 10.8 | 11mm | Sn/Pb | 1-2110320-1 |
| | 9.8 | 10mm | Sn/Pb | 1-2110320-0 |
| YES | 8.8 | 9mm | Sn/Pb | 2110320-9 |
| YES | 7.8 | 8mm | Sn/Pb | 2110320-8 |
| TOOLED | DIM H | STACK HEIGHT | CONTACT TAIL PLATING | PART NUMBER |

| | | | |
|--|--|---|---|
| THIS DRAWING IS A CONTROLLED DOCUMENT. | | OWN D. RINGLER 14FEB2009 | TE Connectivity |
| DIMENSIONS: mm | | CHK D. TROUT 14FEB2009 | |
| TOLERANCES UNLESS OTHERWISE SPECIFIED: | | APVD J. FEEDER 14FEB2009 | NAME HEADER ASSEMBLY 40/134 SIGNAL STRADA MESA MEZZANINE CONNECTOR |
| 0 PLC ± 2 PLC ±0.13 3 PLC ±0.013 4 PLC ± ANGLES ±1 | | PRODUCT SPEC 108-2375 APPLICATION SPEC 114-13249 | SIZE A1 |
| MATERIAL | | WEIGHT | CAGE CODE DRAWING NO 00779C=2110320 |
| | | Customer Drawing | RESTRICTED TO SCALE 6:1 SHEET 2 OF 4 REV A |

| LOC | DIST | REVISIONS | | | | | |
|-----|------|-----------|-----|-------------|------|-----|------|
| | | P | LTN | DESCRIPTION | DATE | DWN | APVD |
| GP | 00 | - | - | SEE SHEET 1 | - | - | - |
| | | | | | | | |
| | | | | | | | |

AI CORNER INDICATORS.

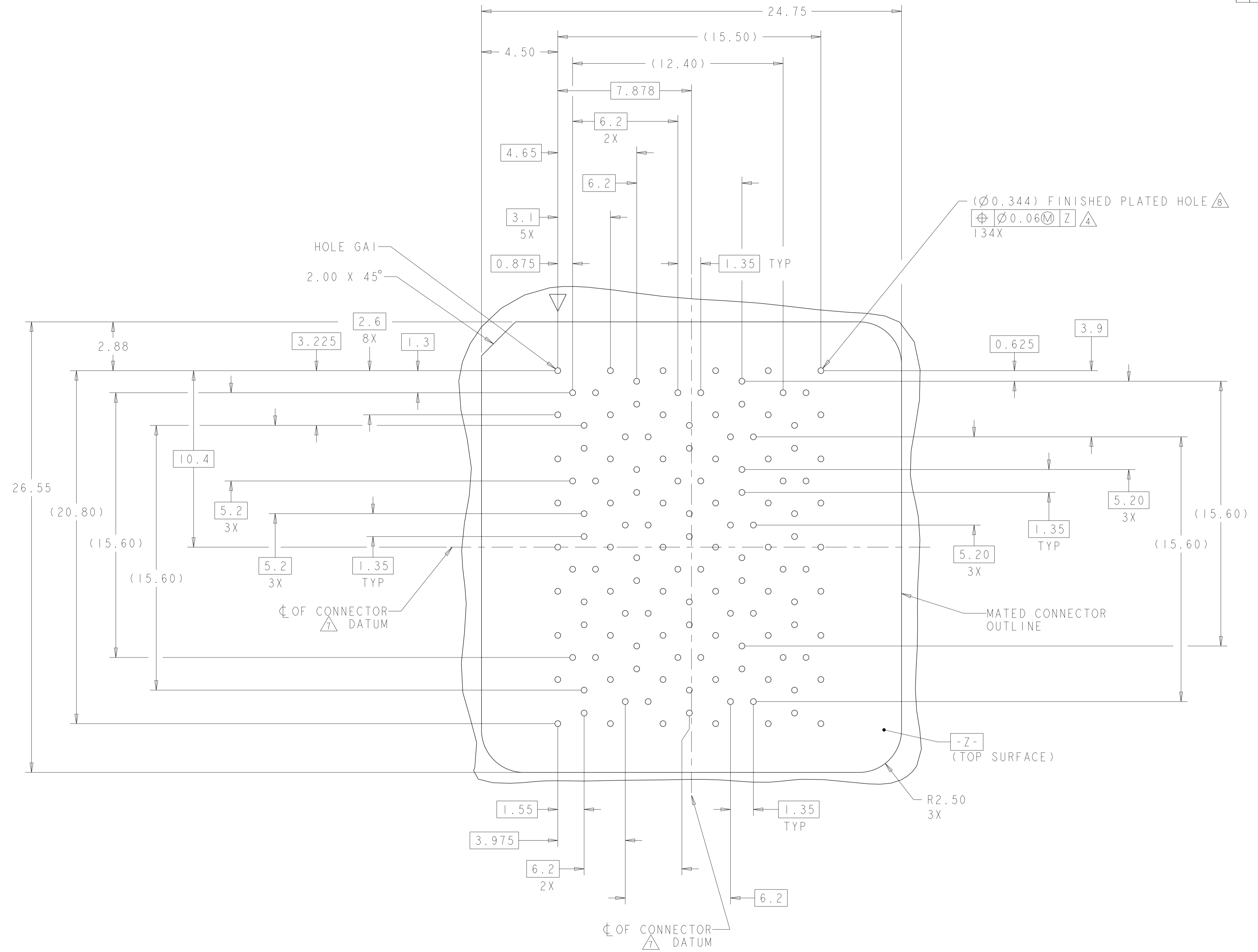


MATED CONNECTOR OUTLINE
 SEE SHEET 4 FOR LOCATION TO HOLES

PCB LAYOUT AND PIN IDENTIFICATION
 SHOWN FROM CONNECTOR SIDE
 SCALE 12:1

| | | | |
|--|--|---|---|
| THIS DRAWING IS A CONTROLLED DOCUMENT. | | DWN D. RINGLER 14FEB2009 | TE Connectivity |
| DIMENSIONS: | | CHK D. TROUT 14FEB2009 | |
| mm | TOLERANCES UNLESS OTHERWISE SPECIFIED: | APVD J. FEEDER 14FEB2009 | NAME HEADER ASSEMBLY 40/134 SIGNAL STRADA MESA MEZZANINE CONNECTOR |
| | 0 PLC ± 2 PLC ±0.13 3 PLC ±0.013 4 PLC ± ANGLES ±1 | PRODUCT SPEC 108-2375 APPLICATION SPEC 114-13249 | SIZE A100779C=2110320 |
| MATERIAL | FINISH | WEIGHT | RESTRICTED TO |
| - | - | - | Customer Drawing |
| | | SCALE 6:1 | SHEET 3 OF 4 REV A |

| LOC | | DIST | | REVISIONS | | | |
|-----|-----|-------------|------|-----------|------|--|--|
| P | LYR | DESCRIPTION | DATE | OWN | APVD | | |
| - | - | SEE SHEET 1 | - | - | - | | |
| | | | | | | | |
| | | | | | | | |



PCB HOLE PATTERN
 SHOWN FROM CONNECTOR SIDE
 SCALE 8:1

| | | | |
|---|--|--|--------------------|
| THIS DRAWING IS A CONTROLLED DOCUMENT. | | OWN: D. RINGLER 14FEB2009 | TE Connectivity |
| DIMENSIONS: mm | | CHK: D. TROUT 14FEB2009 | |
| TOLERANCES UNLESS OTHERWISE SPECIFIED: 0 PLC ± 1 PLC ±0.13 2 PLC ±0.13 3 PLC ±0.013 4 PLC ± ANGLES ±1 | | APVD: J. FEEDER 14FEB2009 | |
| MATERIAL: - | | NAME: HEADER ASSEMBLY 40/134 SIGNAL STRADA MESA MEZZANINE CONNECTOR | |
| WEIGHT: - SCALE: 6:1 | | PRODUCT SPEC: 108-2375 APPLICATION SPEC: 114-13249 SIZE: A1 CAGE CODE: 00779 DRAWING NO: 2110320 | RESTRICTED TO: - |
| Customer Drawing | | | SHEET 4 OF 4 REV A |