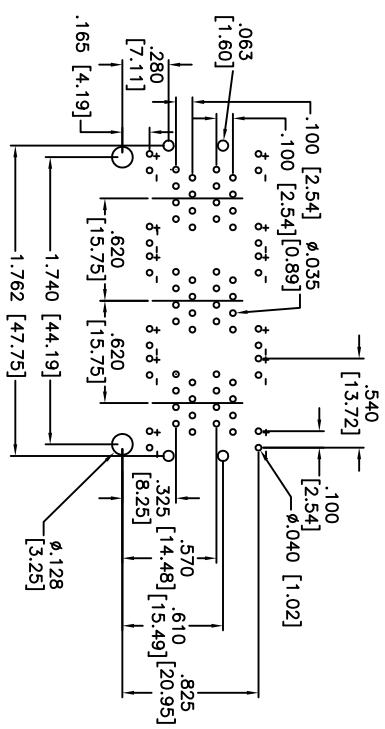
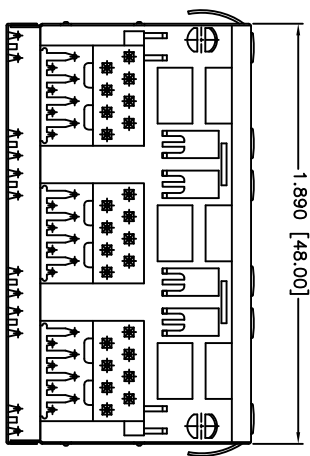
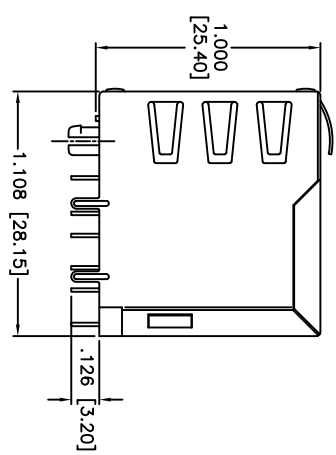
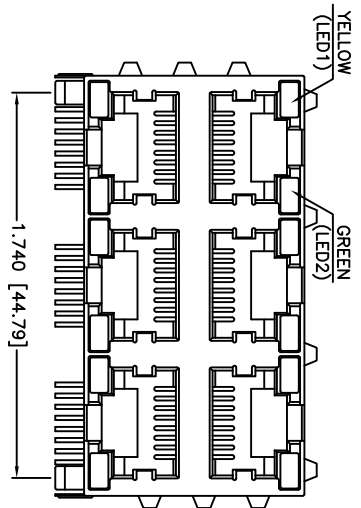


Rev	AWO #	Description	Date	Appr
-		RELEASED	10/26/10	

APPROVED: _____
 DATE: _____ TITLE: _____



"X"	PLATING
0	15 uin Gold
1	30 uin Gold
2	50 uin Gold

RECOMMENDED P.C.B. LAYOUT

SPECIFICATIONS:
 Material:
 Insulator: PBT, glass reinforced, rated UL 94V-0
 Insulator color: Black
 Shield: Copper Alloy, Nickel plated
 Contacts: Phosphor Bronze
 Contact Plating:
 Gold Flash over Nickel underplate on contact area,
 Tin over Copper underplate on tails. (See chart for thickness)

Electrical:
 Operating voltage: 125 VAC max
 Current rating: 1.5 Amps max
 Contact Resistance: 30 mohms max. initial
 Insulation resistance: 1,000 Mohms min @ 500 VDC
 Dielectric withstanding voltage: 1,000 VAC RMS for 1 minute

Temperature Rating:
 Temperature range: -40°C to +85°C
 Environmental:
 Lead free, RoHS Compliant



Recommended soldering temp: 235°C for 5 seconds

ADAM TECH

909 Railway Avenue, Union, NJ 07083
 Phone: 908-687-5000 Fax: 908-687-5710

MODULAR JACK GANGED, 6 PORT, 8P8C
 W/ LED1 YELLOW, LED2 GREEN

UNLESS OTHERWISE SPECIFIED ALL DIMENSIONS ARE MM [INCHES] TOLERANCES: EXCEPT AS NOTED INCHES		HOLDERS	
X	± .10	ØX	± .10
.XX	± .020	ØXX	± .015
.XXX	± .015	ØXXX	± .010
APPROVALS		DATE	
DRAWN	DRY	10/26/10	
CHECKED			
APPROVED			
TITLE		SIZE	PART NO.
MODULAR JACK GANGED, 6 PORT, 8P8C		X	MTJG-6-88JX1-FSM-PG-LG
W/ LED1 YELLOW, LED2 GREEN		REF: S00085T	SCALE: NTS
REV.		SHEET 1 OF 1	