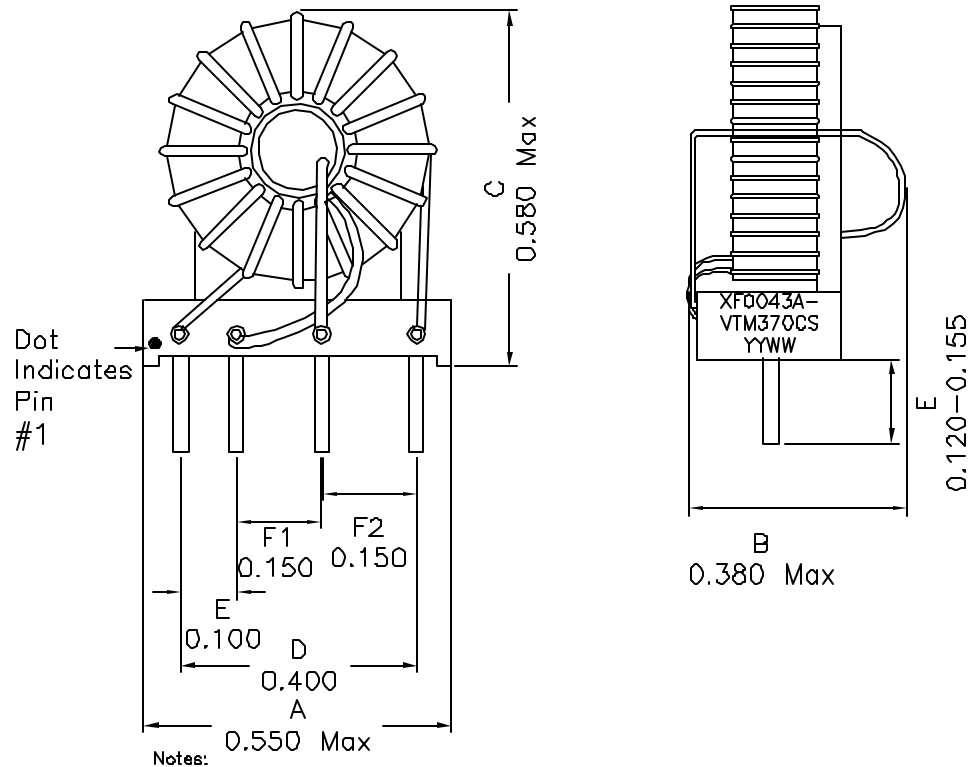


### 1. Mechanical Dimensions:

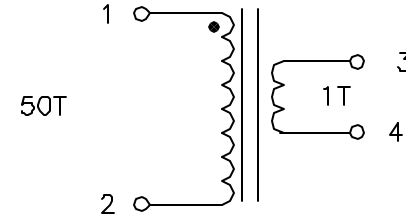


Notes:

1. Solderability: Leads shall meet MIL-STD-202G, Method 208H for solderability.
2. Flammability: UL94V-0
3. ASTM oxygen index > 28%
4. Insulation System: Class F 155°C. UL file E151556
5. Operating Temperature Range: All listed parameters are to be within tolerance from -40°C to +85°C
6. Storage Temperature Range: -55°C to +125°C
7. Aqueous wash compatible
8. Electrical and mechanical specifications 100% tested
9. RoHS Compliant Component

DOC. REV: A/2

### 2. Schematic:



### 3. Electrical Specifications: @25°C

- Termination Resistor: 7.5 Ohms for 0.15V/Amp
- OCL: Pins 1-4 4000uH Min @100KHz 0.16V
- Rated Current: 20A Max
- DCR: Pins 1-4 0.240 Ohms Max

**PROPRIETARY** Document is the property of XFMRS Group & is not allowed to be duplicated without authorization.

<b>XFMRS Inc.</b> www.XFMRS.com		Title: CURRENT SENSING TRANSFORMER	
UNLESS OTHERWISE SPECIFIED TOLERANCES: .xxx±0.010 Dimensions in INCH	P/N: XF004.3A-VTM370CS		REV. A
	DWN.	刘鹏	Feb-14-06
	CHK.	李小锋	Feb-14-06
SHEET 1 OF 1	APP.	MS	Feb-14-06