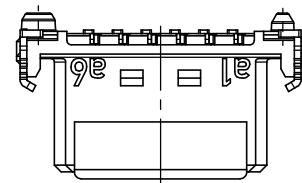
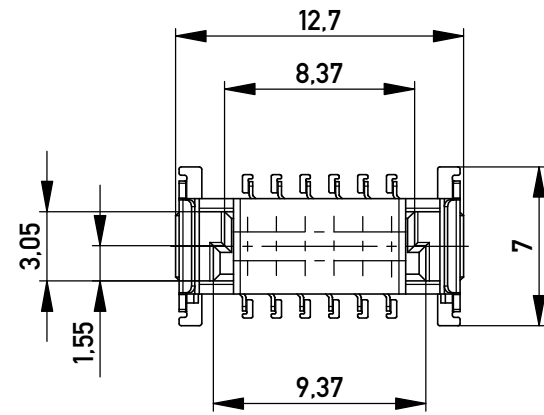
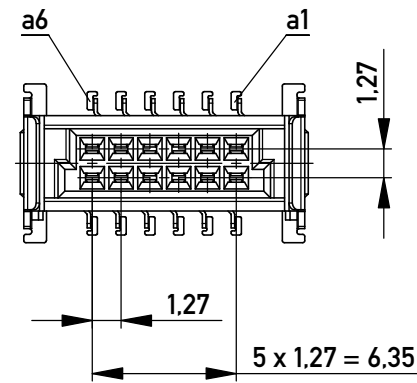
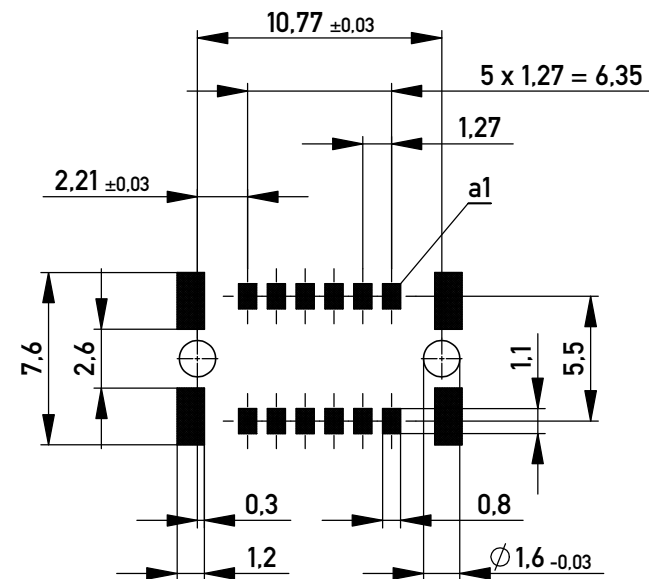


ohne Ansaughaube - without hood



Leiterplatten-Layout Vorschlag für SMT  
PCB-Layout Proposal for SMT



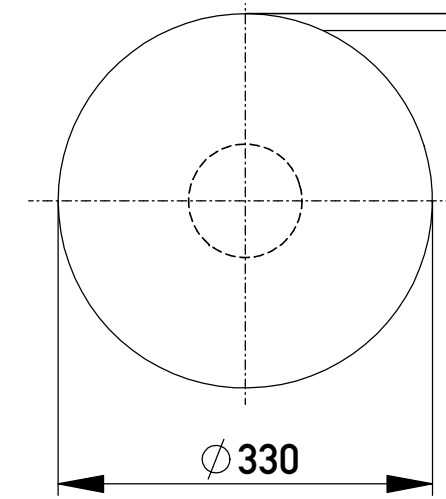
Anforderungsstufe 1  
Performance Level 1

Kontaktbereich vergoldet  
Mating Area gold plating

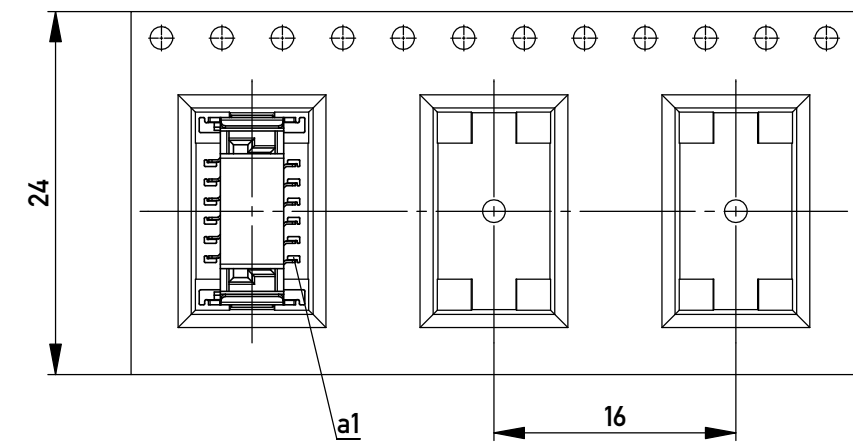
Anschlussbereich verzinkt 4-6 µm  
Terminal Area 4-6 µm tin plating

Koplanarität der Anschlüsse ≤ 0,1 mm  
Coplanarity Area of Termination ≤ 0,1 mm

Verpackt im Gurt in Anlehnung an DIN IEC 60286-3  
Tape on Reel Packaging according to DIN IEC 60286-3  
Verpackungseinheit: 280 Stück  
Packaging unit: 280 pcs



Abspulrichtung - Reel off Direction



BA 7-13 - 8mm Bauhöhe

type7-13 - low profile

Information:		Tolerances		Scale	3:1
All rights reserved. Only for Information. To ensure that this is the latest version of this drawing, please contact one of the ERNI companies before using.		Subject to modification without prior notice. Drawing will not be updated.		Designation	
www.ERNI.com				Federl. SMC-B 12-SMD-BA7-13 Female SMC-B 12-SMD-type7-13	
d	29.03.2016	100804280001		K	
Index	Date	Class		A3	
				SMCB	

Copyright by ERNI Production GmbH & Co. KG  
Proprietary notice pursuant to ISO 16016 to be observed.