

**140**mm sq.

# San Ace 140L

38mm thick  
51mm thick(LB type)



Model no. 9LB1424B501, 9LB1448F501 is not certified.

## General Specifications

- Material ..... Frame: Aluminum, Impeller: Plastics (Flammability: UL94V-1)
- Expected Life ..... Refer to specifications (L10:Survival rate: 90% at 60°C , rated voltage, and continuously run in a free air state)
- Lead Wire ..... ⊕red ⊖black or blue (Sensor) yellow
- Storage Temperature ..... -30°C to +70°C (Non-condensing)

**140×140×51mm** [Mass : 610g] **LB type**

## Specifications

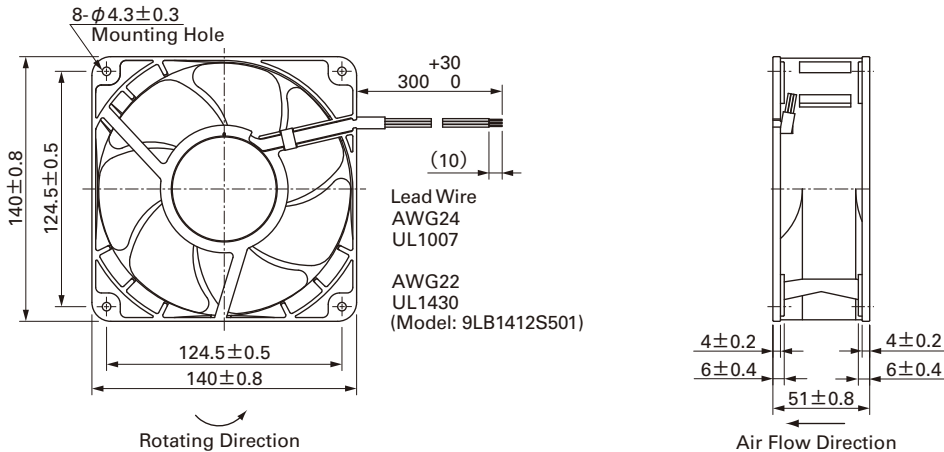
The following nos. have pulse sensors.

Model No.	Rated Voltage [V]	Operating Voltage Range [V]	Rated Current [A]	Rated Input [W]	Rated Speed [min <sup>-1</sup> ]	Max. Air Flow [m <sup>3</sup> /min] [CFM]	Max. Static Pressure [Pa] [inchH <sub>2</sub> O]	SPL [dB(A)]	Operating Temperature [°C]	Expected Life [h]
9LB1412S501	12	10.2 to 13.8	2.7	32.4	4,200	8.1 286.2	240 0.96	57	- 20 to + 70	60,000
9LB1412H501			1.25	15.0	3,100	5.9 208.5	130 0.52	49		100,000
9LB1412M501			0.46	5.52	2,050	3.9 138	63 0.25	39		100,000
9LB1424S501	24	20.4 to 27.6	1.38	33.12	4,200	8.1 286.2	240 0.96	57		60,000
9LB1424B501			0.97	23.3	3,700	7.1 251	186 0.75	55		100,000
9LB1424H501			0.60	14.4	3,100	5.9 208.5	130 0.52	49		100,000
9LB1424M501	48	40.8 to 55.2	0.22	5.28	2,050	3.9 138	63 0.25	39		60,000
9LB1448S501			0.71	34.08	4,200	8.1 286.2	240 0.96	57		100,000
9LB1448H501			0.27	12.96	3,100	5.9 208.5	130 0.52	49		100,000
9LB1448F501	48	40.8 to 55.2	0.18	8.6	2,550	4.8 169	91 0.37	44		100,000
9LB1448M501			0.12	5.76	2,050	3.9 138	63 0.25	39		

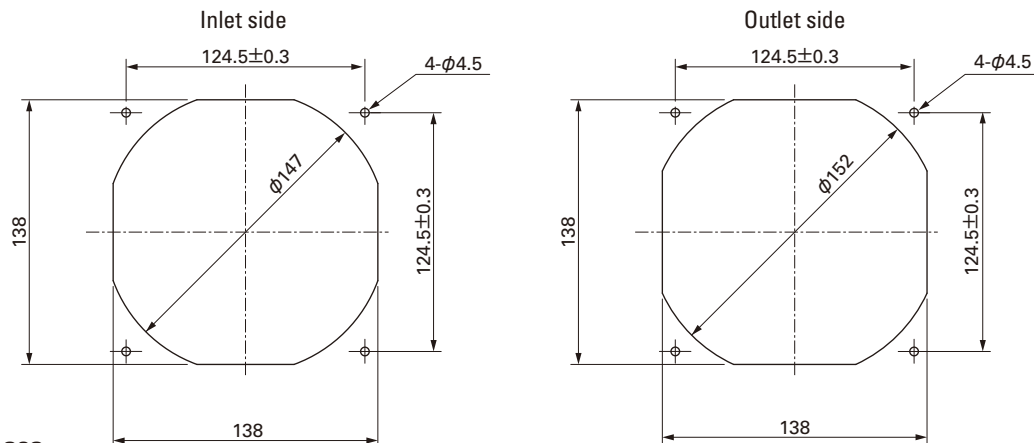
Available options: ⇒ **Without Sensor**

Please inquire as the availability of these functions depend on the model. ⇒ **Lock Sensor** **Low speed Sensor**

## Dimensions (Unit : mm)



## Reference dimension of mounting holes and vent opening (Unit : mm)



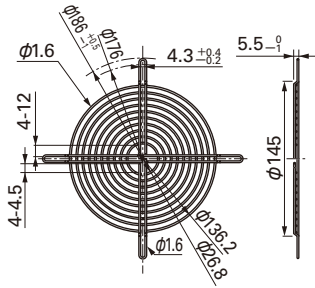
**Options (Unit : mm)**

**Finger guards**

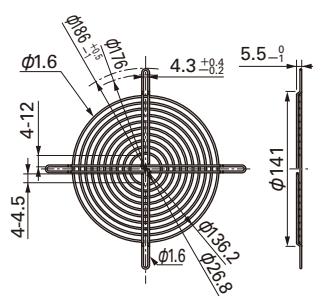
Model : 109-719 Surface treatment : Nickel-chrome plating (silver) Color

Model : 109-719H Surface treatment : Cation electropainting (black) Color

Inlet side, Outlet side

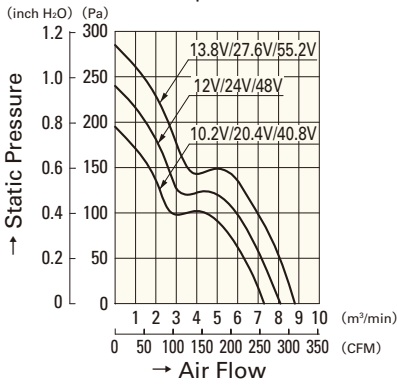


Inlet side, Outlet side



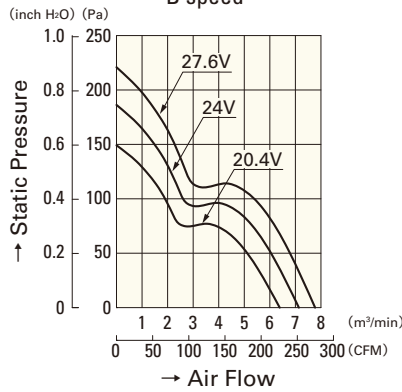
**Air Flow - Static Pressure Characteristics**

S speed



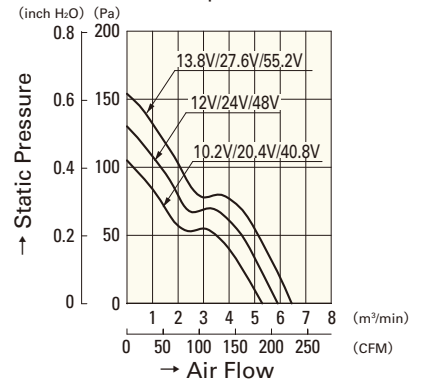
- 9LB1412S501**
- 9LB1424S501**
- 9LB1448S501**

B speed



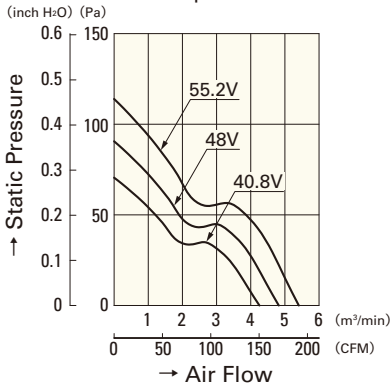
- 9LB1424B501**

H speed



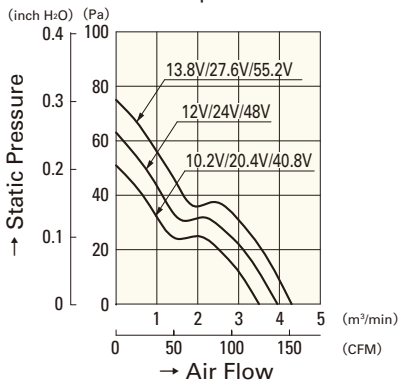
- 9LB1412H501**
- 9LB1424H501**
- 9LB1448H501**

F speed



- 9LB1448F501**

M speed



- 9LB1412M501**
- 9LB1424M501**
- 9LB1448M501**

Long Life Fan 140mm