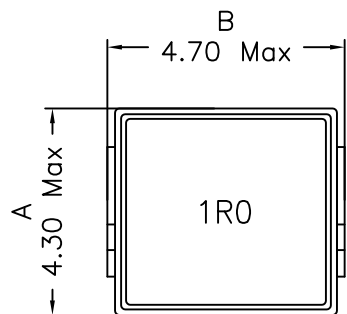
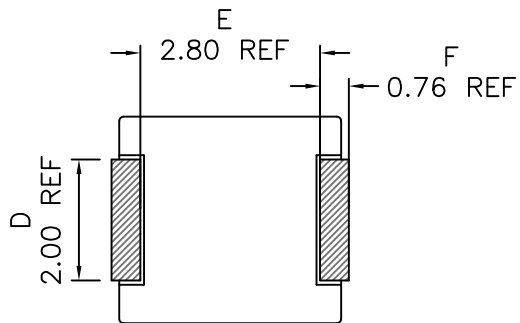
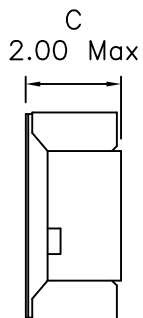


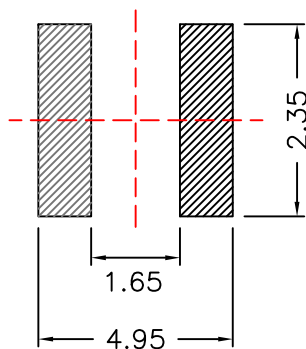
1. Mechanical Dimensions:



TOP VIEW

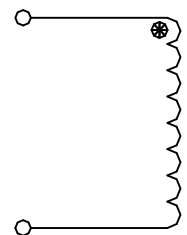


BOTTOM VIEW



Land Patterns

2. Schematic:



3. Electrical Specifications: @25°C

OCL: 1.0uH±20% @100KHz 0.25V

Q: tbd Min @100KHz 0.25V

DCR: 27.0 mOhms Max

I_{rms}: 5.0A (Based on 40°C Temp Rise)

I_{sat}: 8.5A (Based on 20% Typ drop in OCL)

Notes:

1. Solderability: Leads shall meet MIL-STD-202G, Method 208H for solderability.
2. Flammability: UL94V-0
3. ASTM oxygen index: > 28%
4. Insulation System: Class F 155°C. UL file E151556
5. Operating Temperature Range: All listed parameters are to be within tolerance from -40°C to +105°C
6. Storage Temperature Range: -55°C to +125°C
7. Aqueous wash compatible
8. SMD Lead Coplanarity: ±0.004"(0.102mm)
9. Electrical and mechanical specifications 100% tested
10. RoHS Compliant Component
11. Outsourced item processed & controlled under XFMRS QA system

DOC. REV: A/3

XFMRS Inc www.XFMRS.com	Title: XFHCL19M SERIES INDUCTOR		
	UNLESS OTHERWISE SPECIFIED TOLERANCES: .xx ±0.25 Dimensions in MM	P/N: XFHCL19M-1R0M	REV. A
	DWN.	Yuan	Mar-08-13
	CHK.	YK Liao	Mar-08-13
SHEET 1 OF 1	APP.	BSJ	Mar-08-13