

AZ762P

20 A SPDT MINIATURE POWER RELAY

FEATURES

- Latching relay
- Dielectric strength 4400 Vrms
- Epoxy sealed versions available
- 20 Amp switching
- High inrush current 500A / 2ms available
- UL, CUR file E44211



CONTACTS

| | |
|-----------------------|--|
| Arrangement | SPDT (1 Form C) SPST (1 Form A, 1 Form B) |
| Ratings | Resistive load: Max. switched power: 5000 VA Max. switched current: 20 A Max. switched voltage: 277 VAC |
| Rated Load UL, CUR | 20A at 250 VAC, Resistive, 20k cycles [1] 16A at 250 VAC, Resistive, 100k cycles [1] 1.5 HP at 250 VAC, Motor, 6k cycles [1] .5 HP at 120 & 250 VAC, Motor, 20k cycles (form A) [1] TV-8 at 240VAC, 25k cycles (form A) [1] Tungsten 1662W 6A at 277VAC, 6k cycles (form A) [1] Tungsten 1800W 15A at 120VAC, 20k cycles (form A) [1] Electronic ballast 1800W 15A at 120VAC, 20k cycles (form A) [1] Standard ballast 1662W 6A at 277VAC, 6k cycles (form A) [1] 'T' High Inrush Version (Form A 5.0mm Only) 3300W at 277VAC, Electronic Ballast, 20k cycles [2] 3000W at 220VAC, Tungsten, 6k cycles [2] 1500W at 347VAC, Std. Ballast, 20k cycles [2] |
| Material | [1] Silver tin oxide, [2] Tungsten/Silver tin oxide |
| Resistance | < 50 milliohms initially (at 1A, 24 VDC) |

COIL

| | |
|-----------------------------|-------------------------------------|
| Power | |
| At Pickup Voltage (typical) | 1 Coil: 256 mW 2 Coils: 384 mW |
| Max. Continuous Dissipation | 1 Coil: 0.4 W 2 Coils: 0.6 W |
| Temperature Rise | 26°C (47°F) at nominal coil voltage |
| Max. Temperature | 130°C (266°F) |

GENERAL DATA

| | |
|--|--|
| Life Expectancy Mechanical Electrical | Minimum operations 1 x 10 ⁶ 1 x 10 ⁵ at 16 A 250 VAC Res. |
| Set Time (typical) | 15 ms at nominal coil voltage |
| Reset Time (typical) | 15 ms at nominal coil voltage (with no coil suppression) |
| Min. Pulse Time | 75ms |
| Max Pulse Time | 1 min. |
| Dielectric Strength (at sea level for 1 min.) | 4400 VAC coil to contact 1000 VAC between open contacts |
| Surge Voltage Coil to Contact | 10,000V (at 1.2x50 μs) |
| Insulation Resistance | 1000 megohms min. at 20°C 500 VDC 50% RH |
| Ambient Temperature Operating Storage | At nominal coil voltage -40°C (-40°F) to 85°C (185°F) 0°C (32°F) to 40°C (104°F) |
| Vibration | 0.062" DA at 10-55 Hz |
| Shock | 10 g |
| Enclosure | P.B.T. polyester |
| Terminals | Tinned copper alloy, P.C. |
| Max. Solder Temp. | 270°C (518°F) |
| Max. Solder Time | 5 seconds |
| Max. Solvent Temp. | 80°C (176°F) |
| Weight | 13 g |

NOTES

1. All values at 23°C (73.4°F).
2. Relay may pull in with less than "Must Operate" value.
3. Specifications subject to change without notice.
4. Check the relay set/reset state before energizing the relay in application.

AZ762P

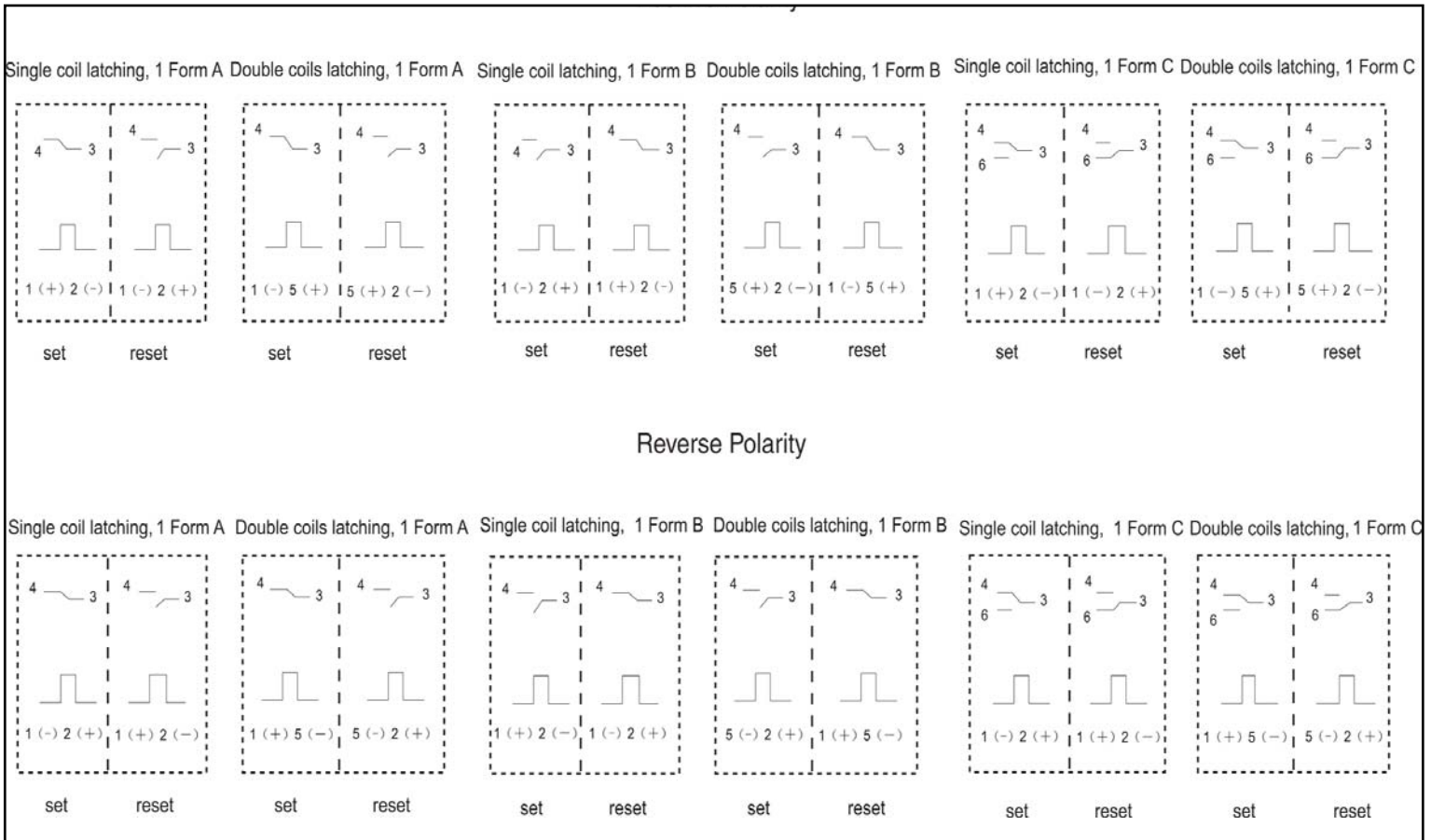
RELAY ORDERING DATA

| COIL SPECIFICATIONS - SINGLE COIL LATCHING | | | | ORDER NUMBER* | |
|--|------------------|---------------------|----------------------------|-----------------|------------------|
| Nominal Coil VDC | Must Operate VDC | Max. Continuous VDC | Coil Resistance $\pm 10\%$ | Unsealed | Sealed |
| 3 | 2.4 | 3.9 | 22.5 | AZ762P1-1CE-3D | AZ762P1-1CE-3DE |
| 5 | 4.0 | 6.5 | 62.5 | AZ762P1-1CE-5D | AZ762P1-1CE-5DE |
| 6 | 4.8 | 7.8 | 90 | AZ762P1-1CE-6D | AZ762P1-1CE-6DE |
| 12 | 9.6 | 15.6 | 360 | AZ762P1-1CE-12D | AZ762P1-1CE-12DE |
| 24 | 19.2 | 31.2 | 1,440 | AZ762P1-1CE-24D | AZ762P1-1CE-24DE |

| COIL SPECIFICATIONS - DUAL COIL LATCHING | | | | | ORDER NUMBER* | |
|--|------------------|---------------------|------------------------------|------------------------------|-----------------|------------------|
| Nominal Coil VDC | Must Operate VDC | Max. Continuous VDC | Coil 1 Resistance $\pm 10\%$ | Coil 2 Resistance $\pm 10\%$ | Unsealed | Sealed |
| 3 | 2.4 | 3.9 | 15 | 15 | AZ762P2-1CE-3D | AZ762P2-1CE-3DE |
| 5 | 4.0 | 6.5 | 42 | 42 | AZ762P2-1CE-5D | AZ762P2-1CE-5DE |
| 6 | 4.8 | 7.8 | 60 | 60 | AZ762P2-1CE-6D | AZ762P2-1CE-6DE |
| 12 | 9.6 | 15.6 | 240 | 240 | AZ762P2-1CE-12D | AZ762P2-1CE-12DE |
| 24 | 19.2 | 31.2 | 886 | 886 | AZ762P2-1CE-24D | AZ762P2-1CE-24DE |

* Substitute "1A" or "1B" in place of "1C" for Form A or B respectively. Form A relay is in the reset position. Form B relay is in the set position. Add suffix "K" for 3.5mm pin spacing version. Replace '1AE' with '1AT' for W+AgSnO2 high inrush contacts (Form A, 5.0mm pin spacing only). Add suffix "L" for 2.5mm pin spacing version. Note, Form C only available in 5.0mm and 3.5mm pin spacing. Add suffix "R" for reversed polarity coil.

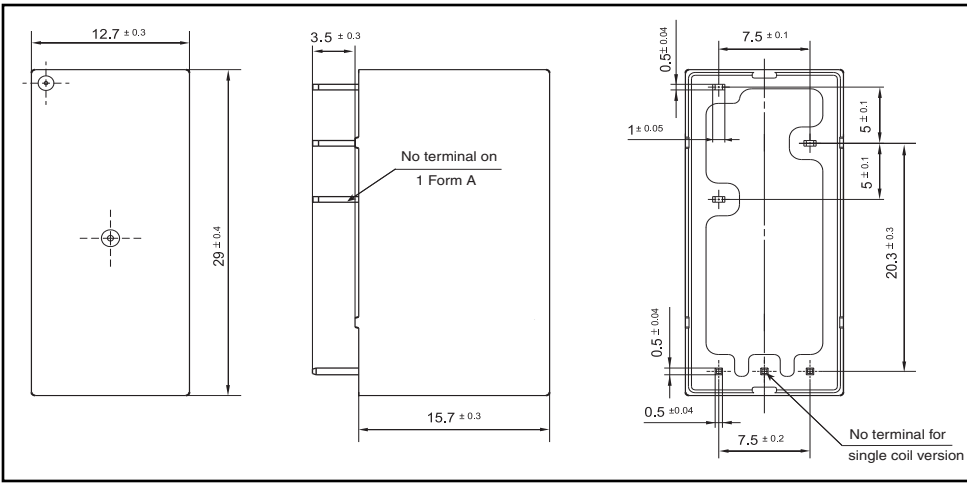
WIRING DIAGRAM



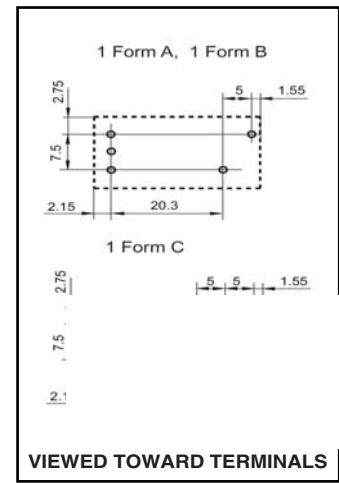
AZ762P

MECHANICAL DATA

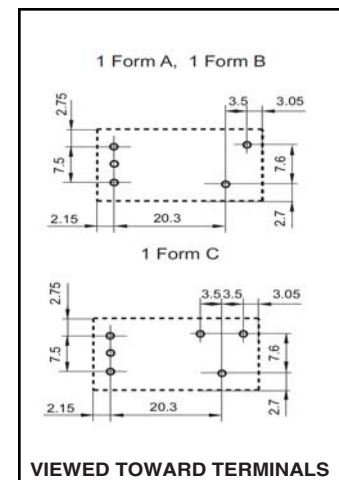
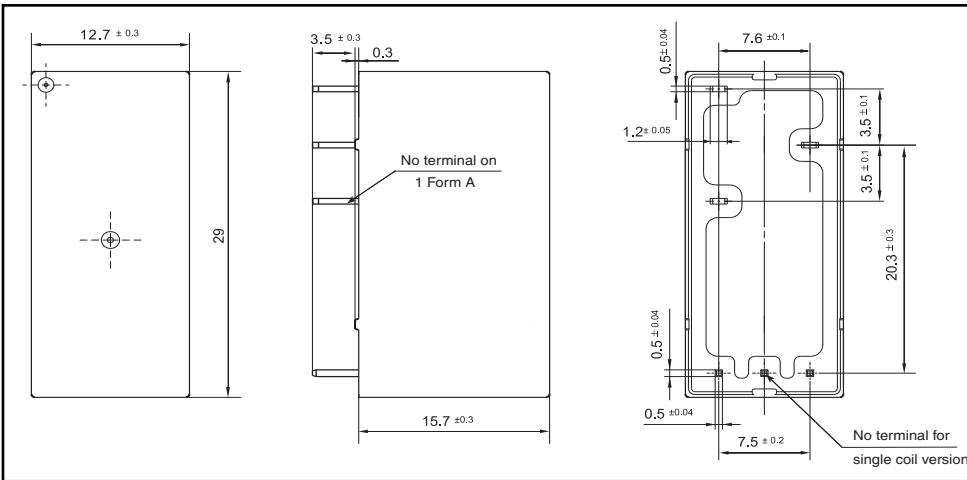
5.0mm Spacing - Standard



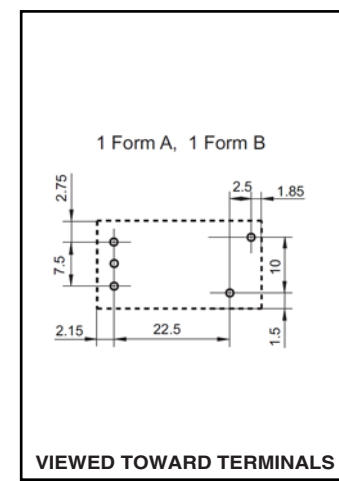
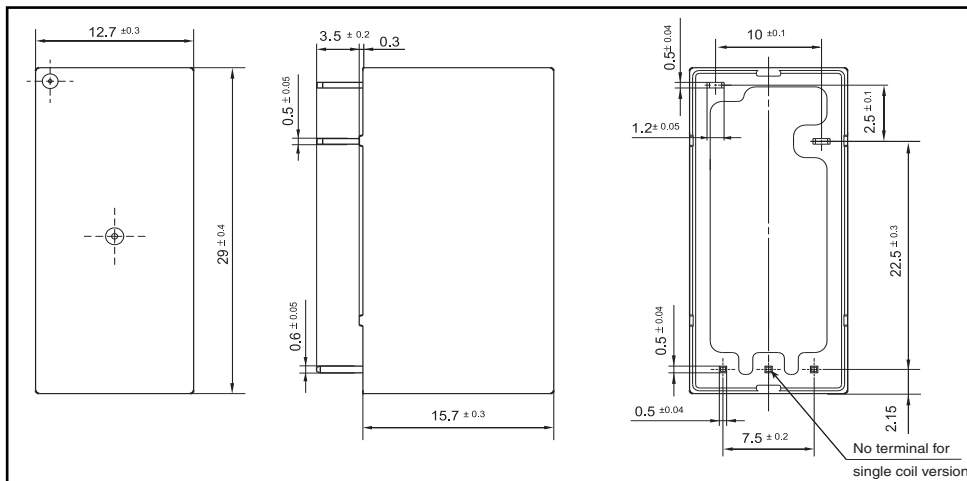
PCB LAYOUT



3.5mm Spacing - Suffix "K"



2.5mm Spacing - Suffix "L"



Dimensions in metric.