

<b>40-65V</b> Continuous Input	<b>9.6V</b> Output	<b>48A</b> Current	<b>2000V dc</b> Isolation	<b>Eighth-brick</b> DC-DC Converter
-----------------------------------	-----------------------	-----------------------	------------------------------	--

The BusQor® BQ57090EZx48 bus converter is a next-generation, board-mountable, isolated, fixed switching frequency dc/dc converter that uses synchronous rectification to achieve extremely high conversion efficiency. The BusQor series provides an isolated step down voltage from 48V to 12 or 9.6V intermediate bus with no regulation in a standard "eighth-brick" module. BusQor converters are ideal for creating the mid-bus voltage required to drive point-of-load (non-isolated) converters in intermediate bus architectures.

# BusQor®



BQ57090EZB48 Model

### Operational Features

- High efficiency, 96.8% at full rated load current
- Delivers 48A full power with minimal derating - no heatsink required
- Operating input voltage range: 40-65V
- Fixed frequency switching provides predictable EMI
- No minimum load requirement

### Control Features

- On/Off control referenced to input side (positive and negative logic options are available)
- Inherent current share (by droop method) for high current and parallel applications.

### Safety Features

- UL 60950-1:2007/R:2011-12
- EN 60950-1:2006/A2:2013
- CAN/CSA C22.2 No. 60950-1:2007/A1:2011

### Mechanical Features

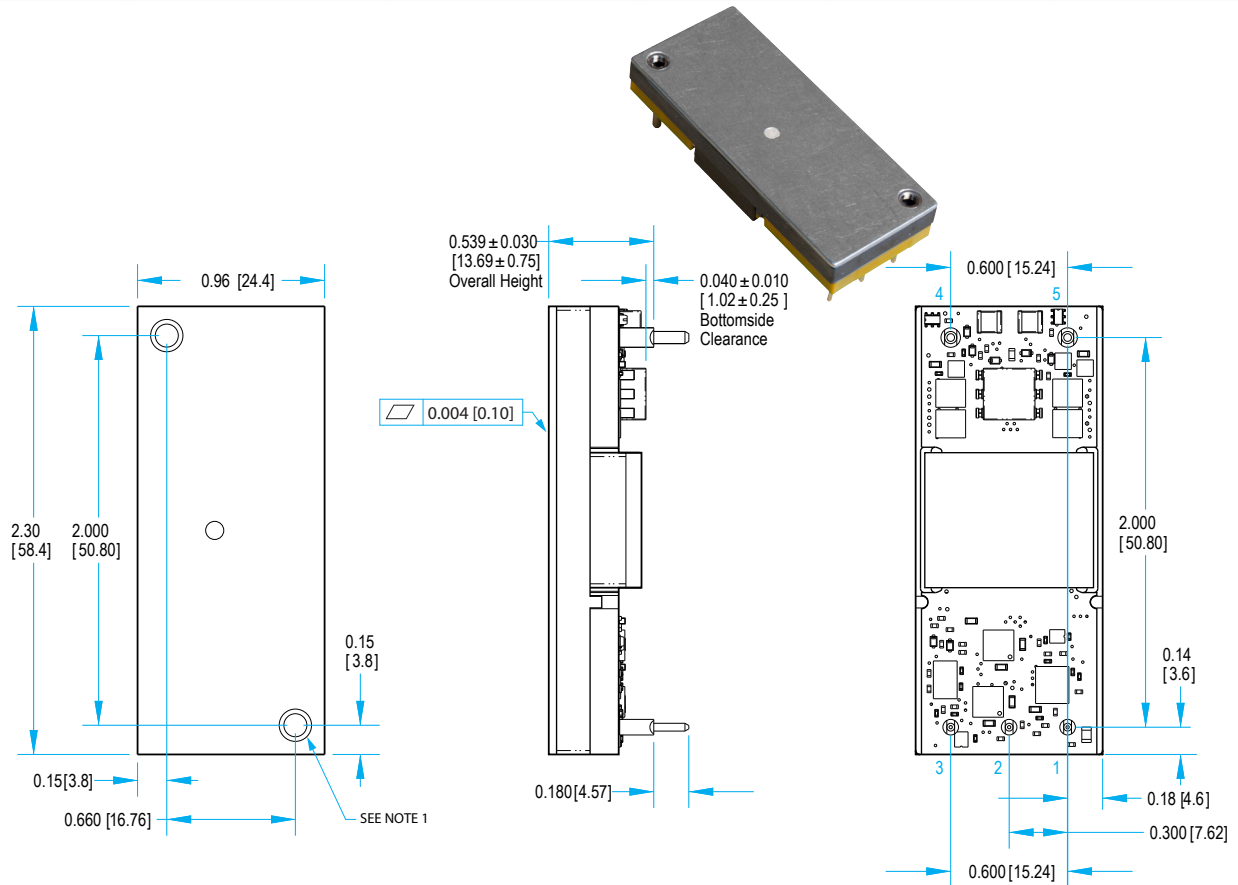
- Industry standard quarter-brick pin-out configuration
- Size: 0.96 x 2.3" (24.4x58.4mm), height: 0.539" (13.69mm)
- Total Baseplate weight: 1.69 oz (47.9 g)

### Protection Features

- Input under-voltage lockout and over-voltage shutdown protects against abnormal input voltages
- Output current limit and short circuit protection (auto recovery)
- Output over-voltage protection
- Thermal shutdown

### Contents

	Page No.
Electrical Characteristics . . . . .	3
Standards Compliance & Qualification Testing . . . . .	5
Technical Figures . . . . .	6
Applications Section . . . . .	9
Ordering Information . . . . .	13



### NOTES

- 1) APPLIED TORQUE PER M3 SCREW 5in-lb RECOMMENDED 6in-lb LIMIT  
SCREW SHOULD NOT EXCEED 0.100" (2.54mm) DEPTH BELOW THE SURFACE OF THE BASEPLATE.
- 2) BASEPLATE FLATNESS TOLERANCE IS 0.004" (.10mm) TIR FOR SURFACE.
- 3) PINS 1-3 ARE 0.040" (1.02mm) DIA. WITH 0.080" (2.03mm) DIA. STANDOFF SHOULDERS
- 4) PINS 4 & 5 ARE 0.062" (1.57mm) DIA. WITH 0.100" (2.54mm) DIA. STANDOFF SHOULDERS
- 5) ALL PINS: MATERIAL: COPPER ALLOY  
FINISH: MATTE TIN OVER NICKEL PLATE
- 6) WEIGHT: 1.69oz (47.9g)
- 7) ALL DIMENSIONS IN INCHES (mm)  
TOLERANCES: X.XX IN +/-0.02 (X.X mm +/-0.5 mm)  
X.XXX IN +/-0.010 (X.XX mm +/-0.25 mm)

### PIN DESIGNATIONS

Pin	Name	Function
1	Vin(+)	Positive input voltage
2	ON/OFF	Logic control input to turn converter on/off.
3	Vin(-)	Negative input
4	Vout(-)	Negative output
5	Vout(+)	Positive output



# Technical Specification

**Input: 40-65V**  
**Output: 9.6V**  
**Current: 48A**  
**Package: Eighth-brick**

## BQ57090EZB48 Electrical Characteristics

Ta = 25 °C, airflow rate = 300 LFM, Vin = 48V dc unless otherwise noted; full operating temperature range is -40 °C to +100 °C base plate temperature with appropriate power derating. Specifications subject to change without notice.

Parameter	Min.	Typ.	Max.	Units	Notes & Conditions
<b>ABSOLUTE MAXIMUM RATINGS</b>					
Input Voltage					
Non-Operating	-1		75	V	Continuous
Operating	40		65	V	Continuous
Isolation Voltage					
Input to Output			2000	V	
Operating Temperature	-40		100	°C	
Storage Temperature	-45		125	°C	
Voltage at ON/OFF input pin	-2		18	V	
<b>INPUT CHARACTERISTICS</b>					
Operating Input Voltage Range	40	48	65	V	
Input Under-Voltage Lockout					
Turn-On Voltage Threshold		37.0		V	
Turn-Off Voltage Threshold		34.5		V	
Lockout Voltage Hysteresis		2.5		V	
Input Over-Voltage Shutdown				V	
Turn-On Voltage Threshold	66	67.5		V	
Turn-Off Voltage Threshold		69	69.9	V	
Maximum Input Current			10.2	A	Vin = 40 V
No-Load Input Current			145	mA	
Disabled Input Current		5.0	12.0	mA	
Input Reflected-Ripple Current		10	20	mA	RMS through 10µH inductor
Input Terminal-Ripple Current		375		mA	RMS, full load
Recommended Input Fuse (see Note 1)			20	A	Fast blow external fuse recommended
Recommended External Input Capacitance		47		µF	Typical ESR 0.1-0.2 Ω
Input Filter Component Values (C)		9.4		µF	Internal values; see Note 4
<b>OUTPUT CHARACTERISTICS</b>					
Output Voltage Set Point		9.5		V	Vin = 48 V; Io = 0 A
Output Voltage Regulation					
Over Line		52.1\5.0		%\V	
Over Load		5.2\500		%\mV	
Over Temperature		2.1\200		%\mV	
Total Output Voltage Range	7.300		13.000	V	Over sample, line, load, temperature & life
Output Voltage Ripple and Noise					20 MHz bandwidth; see Note 2
Peak-to-Peak		90	150	mV	Full load
RMS		25		mV	Full load
Operating Output Current Range	0		48	A	Subject to thermal derating
Output DC Current-Limit Inception		65		A	Output Voltage 10% Low; see Note 4
Output DC Current-Limit Shutdown Voltage		7		V	
Back-Drive Current Limit while Disabled		10		mA	Negative current drawn from output
Maximum Output Capacitance			5,000	µF	9.6 Vout at 24 A Resistive Load
<b>EFFICIENCY</b>					
100% Load		96.8		%	
50% Load		97.1		%	

## BQ57090EZB48 Electrical Characteristics (continued)

Ta = 25 °C, airflow rate = 300 LFM, Vin = 48V dc unless otherwise noted; full operating temperature range is -40 °C to +100 °C base plate temperature with appropriate power derating. Specifications subject to change without notice.

Parameter	Min.	Typ.	Max.	Units	Notes & Conditions
<b>DYNAMIC CHARACTERISTICS</b>					
Output Voltage during Load Current Transient					
Step Change in Output Current (0.1 A/μs)		400		mV	50% to 75% to 50% Iout max
Settling Time		100		μs	To within 1% Vout nom
Turn-On Transient					
Turn-On Time (with 5mF output capacitance)		16	22	ms	Half load, Vout=90% nom.
Start-Up Inhibit Time		200		ms	Figure E
Output Voltage Overshoot		0		%	5 mF load capacitance
<b>ISOLATION CHARACTERISTICS</b>					
Isolation Voltage (dielectric strength)		2000		V	See Absolute Maximum Ratings
Isolation Resistance		30		MΩ	
Isolation Capacitance (input to output)		N/A		pF	See Note 3
Semiconductor Junction Temperature			125	°C	Package rated to 150 °C
Board Temperature			125	°C	UL rated max operating temp 130 °C
Transformer Core Temperature			130	°C	
Base Plate Temperature			100	°C	
<b>FEATURE CHARACTERISTICS</b>					
Switching Frequency	201	225	249	kHz	
ON/OFF Control (Option P)					
Off-State Voltage	-1		0.8	V	
On-State Voltage	2.4		18	V	
ON/OFF Control (Option N)					
On-State Voltage	-1		0.8	V	
Off-State Voltage	2.4		18	V	
ON/OFF Control (Either Option)					Application notes Figures A & B
Open Voltage		4.4		V	
Pull-Up Current		0.044		mA	
Over-Temperature Shutdown OTP Trip Point	140		150	°C	Average PCB Temperature
Over-Temperature Shutdown Restart Hysteresis		10		°C	
<b>RELIABILITY CHARACTERISTICS</b>					
Calculated MTBF (Telcordia) TR-NWT-000332		4.8		10 <sup>6</sup> Hrs.	80% load, 200LFM, 40 °C Ta
Calculated MTBF (MIL-217) MIL-HDBK-217F		3.3		10 <sup>6</sup> Hrs.	80% load, 200LFM, 40 °C Ta
Field Demonstrated MTBF				10 <sup>6</sup> Hrs.	See our website for details

Note 1: UL's product certification tests were carried out using 20A fast blow fuse. Fuse interruption characteristics have to be taken into account while designing input traces. User should ensure that Input trace is capable of withstanding fault currents

Note 2: For applications requiring reduced output voltage ripple and noise, consult SynQor applications support (e-mail: support@synqor.com)

Note 3: Isolation capacitance can be added external to the module.

Note 4: Recommend adding external filter inductor (0.47 μH) between external input capacitance (47 μF) and Bus Qor module.





# Technical Specification

**Input: 40-65V**  
**Output: 9.6V**  
**Current: 48A**  
**Package: Eighth-brick**

## Standards Compliance & Qualification Testing

Parameter	Notes & Conditions
<b>STANDARDS COMPLIANCE</b>	
UL 60950-1:2007/R:2011-12	Basic insulation
EN 60950-1:2006/A2:2013	
CAN/CSA C22.2 No. 60950-1:2007/A1:2011	

Note: An external input fuse must always be used to meet these safety requirements. Contact SynQor for official safety certificates on new releases or download from the SynQor website.

Parameter	# Units	Test Conditions
<b>QUALIFICATION TESTING</b>		
Life Test	32	95% rated Vin and load, units at derating point, 1000 hours
Vibration	5	10-55 Hz sweep, 0.060" total excursion, 1 min./sweep, 120 sweeps for 3 axis
Mechanical Shock	5	100g minimum, 2 drops in x, y and z axis
Temperature Cycling	10	-40 °C to 100 °C, unit temp. ramp 15 °C/min., 500 cycles
Power/Thermal Cycling	5	Toperating = min to max, Vin = min to max, full load, 100 cycles
Design Marginality	5	Tmin-10 °C to Tmax+10 °C, 5 °C steps, Vin = min to max, 0-105% load
Humidity	5	85 °C, 95% RH, 1000 hours, continuous Vin applied except 5 min/day
Solderability	15 pins	MIL-STD-883, method 2003

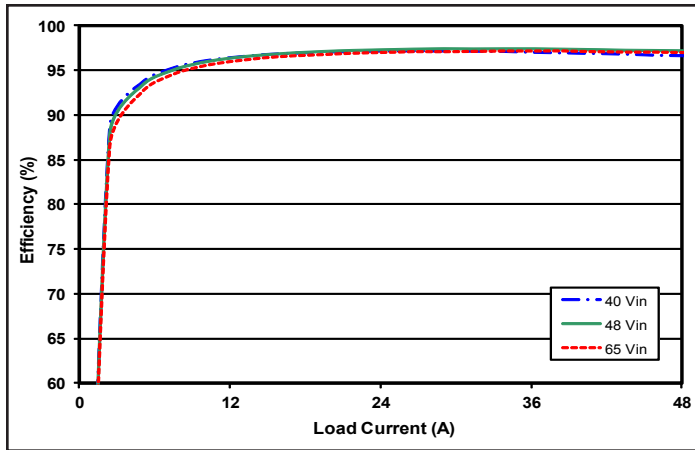


Figure 1: Efficiency at nominal output voltage vs. load current for minimum, nominal, and maximum input voltage at 25°C.

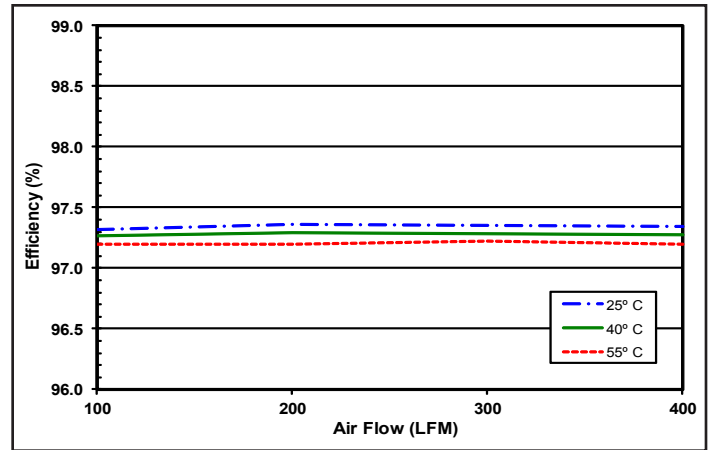


Figure 2: Efficiency at nominal output voltage and 60% rated power vs. airflow rate for ambient air temperatures of 25°C, 40°C, and 55°C (nominal input voltage).

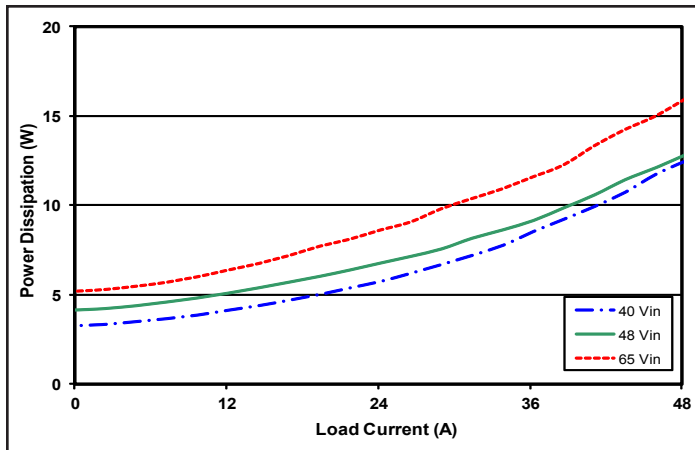


Figure 3: Power dissipation at nominal output voltage vs. load current for minimum, nominal, and maximum input voltage at 25°C.

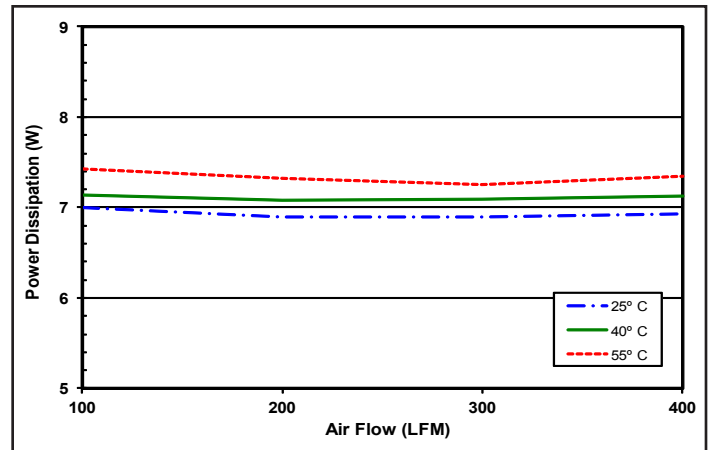


Figure 4: Power dissipation at nominal output voltage and 60% rated power vs. airflow rate for ambient air temperatures of 25°C, 40°C, and 55°C (nominal input voltage).

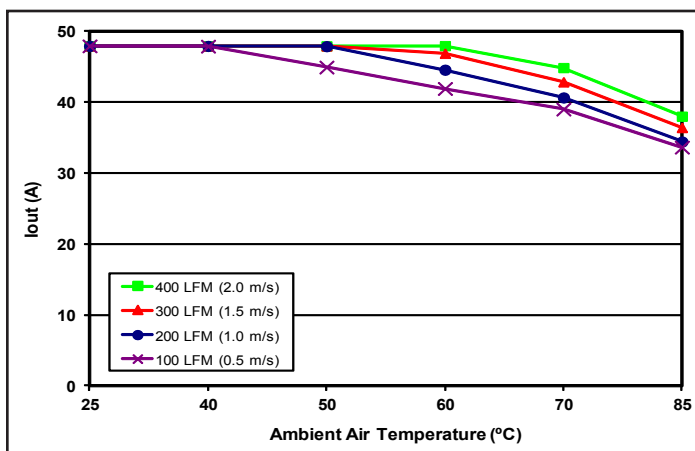


Figure 5: Maximum output current derating curve vs. ambient air temperature (with baseplate only) at different airflow rates with air flowing from output to input (nominal input voltage).

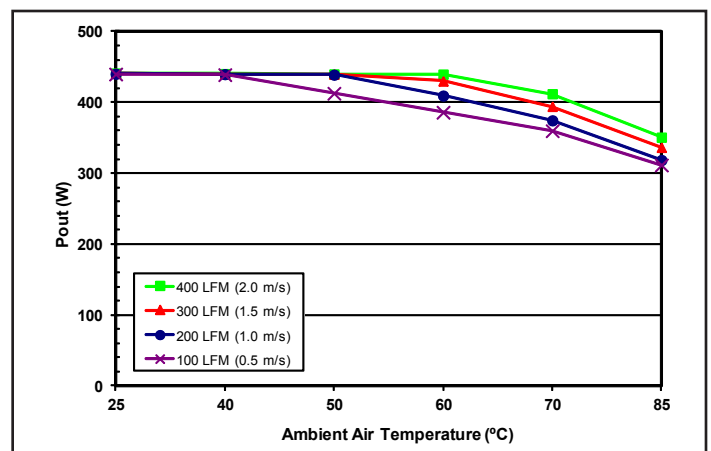


Figure 6: Maximum output power derating curve vs. ambient air temperature (with baseplate only) at different airflow rates with air flowing from output to input (nominal input voltage).

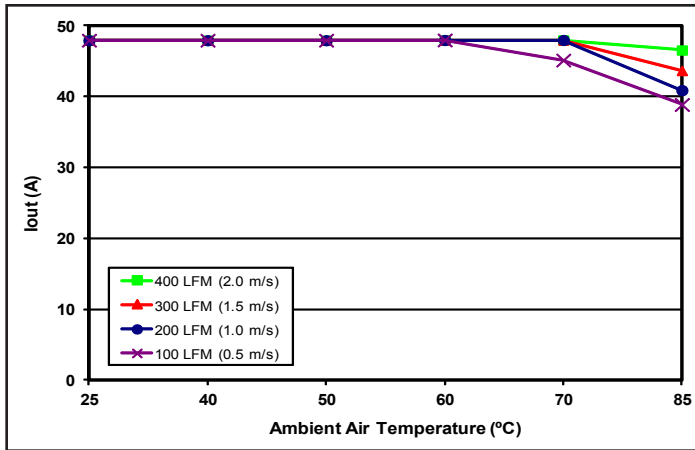


Figure 7: Maximum output current derating curve vs. ambient air temperature (with both baseplate and 1/4" heat sink) at different airflow rates with air flowing from output to input (nominal input voltage).

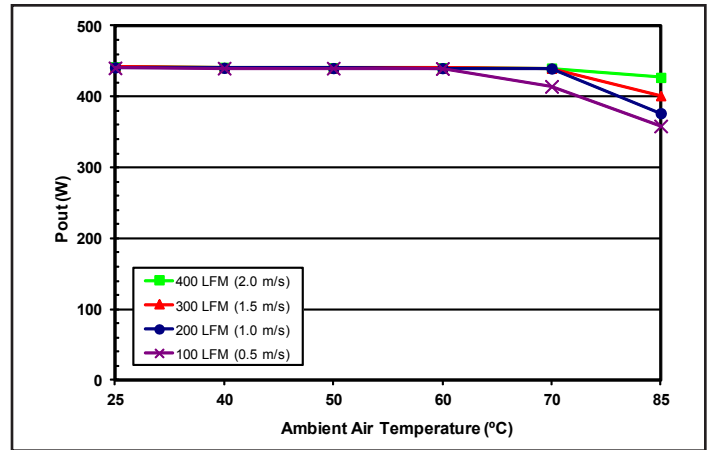


Figure 8: Maximum output power derating curve vs. ambient air temperature (with both baseplate and 1/4" heat sink) at different airflow rates with air flowing from output to input (nominal input voltage).

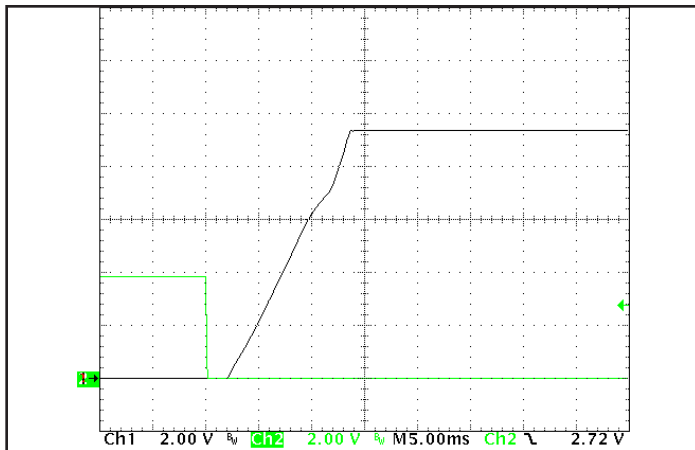


Figure 9: Turn-on transient at 100% load (resistive load) (5ms/div). Load cap: 5mF output capacitance. Input voltage pre-applied. Ch 1: ON/OFF input (2 V/div). Ch 2: V<sub>out</sub> (2V/div).

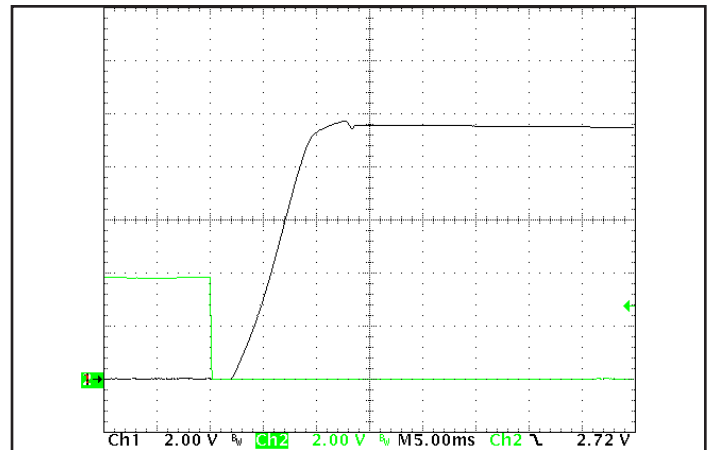


Figure 10: Turn-on transient at zero load (5ms/div). Load cap: 5mF output capacitance. Ch 1: ON/OFF input (2 V/div). Ch 2: V<sub>out</sub> (2V/div).

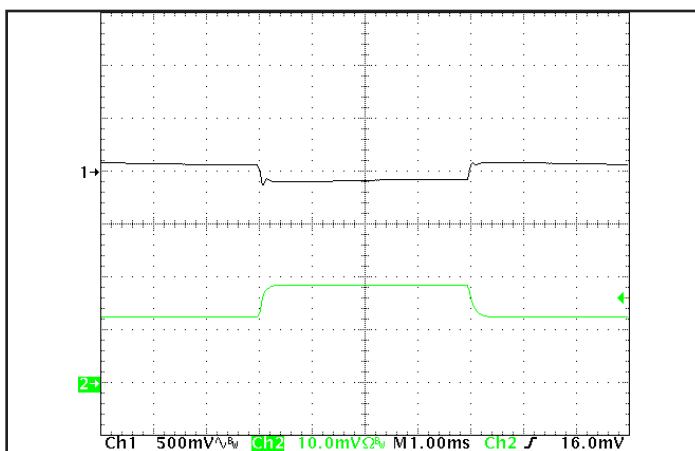


Figure 11: Output voltage response to step-change in load current (50%-75%-50% of I<sub>out</sub>(max); dI/dt = 0.1A/μs). Load cap: 15μF tantalum cap and 1μF ceramic cap. Ch 1: V<sub>out</sub> (500mV/div), Ch 2: I<sub>out</sub> (20A/div).

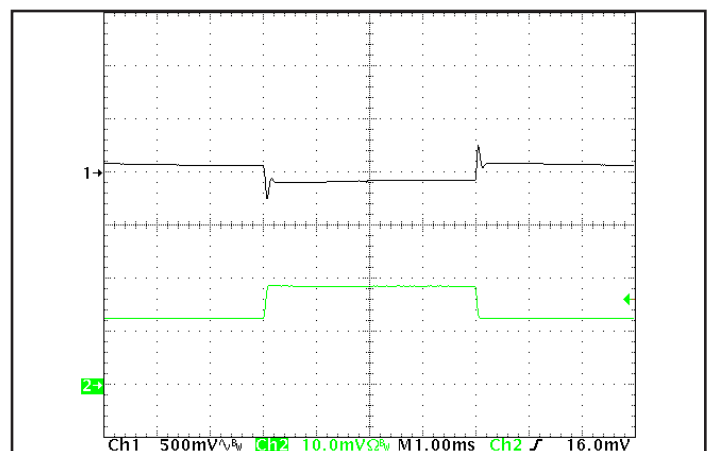


Figure 12: Output voltage response to step-change in load current (50%-75%-50% of I<sub>out</sub>(max); dI/dt = 1A/μs). Load cap: 15μF, 30 mΩ ESR tantalum cap and 1μF ceramic cap. Ch 1: V<sub>out</sub> (500 mV/div), Ch 2: I<sub>out</sub> (20A/div).

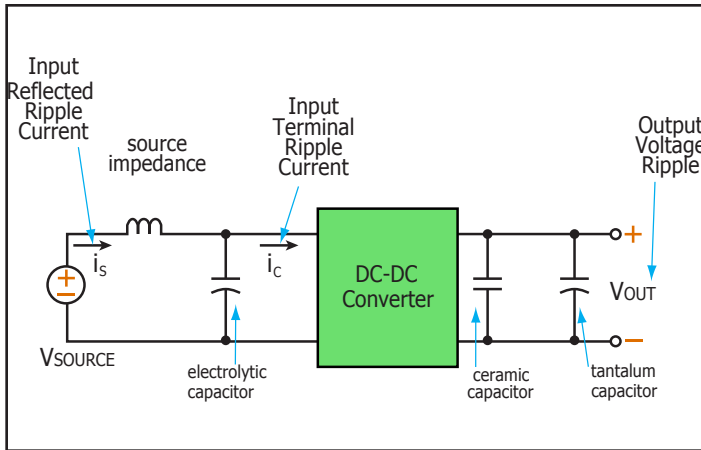


Figure 13: Test set-up diagram showing measurement points for Input Terminal Ripple Current (Figure 14), Input Reflected Ripple Current (Figure 15) and Output Voltage Ripple (Figure 16).

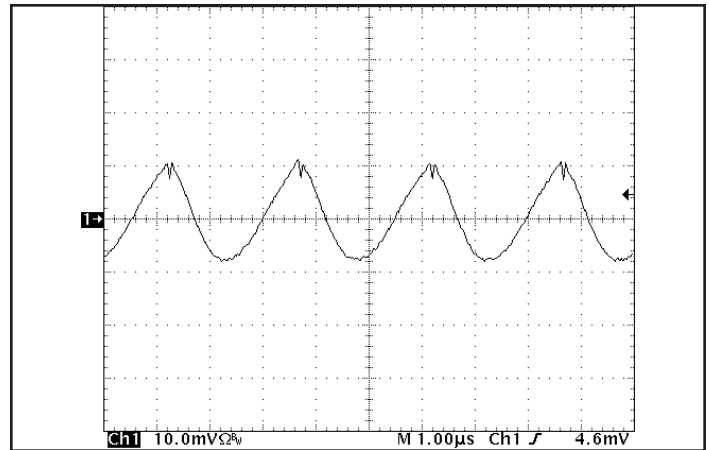


Figure 14: Input Terminal Ripple Current,  $i_c$ , at full rated output current and nominal input voltage with 10 $\mu$ H source impedance and 47 $\mu$ F electrolytic capacitor (1A/div). See Figure 13.

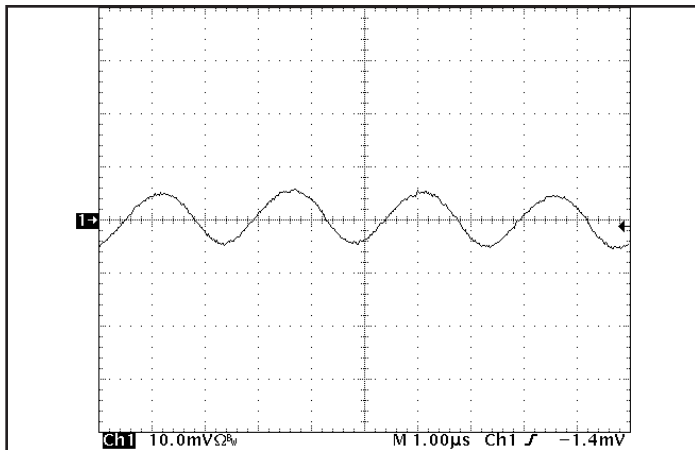


Figure 15: Input reflected ripple current,  $i_s$ , through a 10 $\mu$ H source inductor, using a 47 $\mu$ F electrolytic input capacitor (20mA/div). See Figure 13.

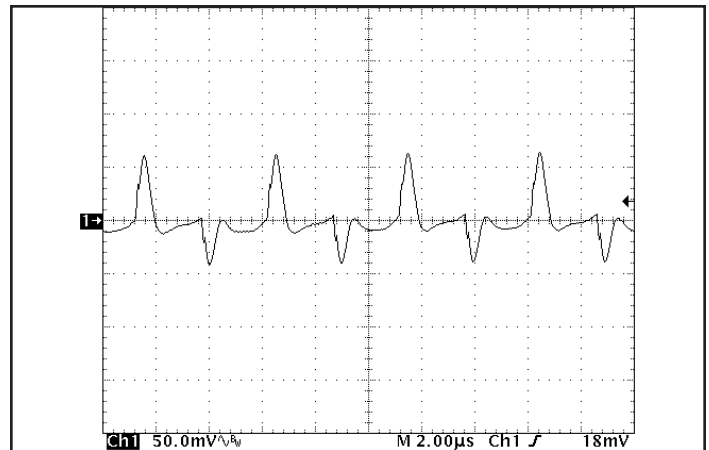


Figure 16: Output voltage ripple at nominal input voltage and rated load current (50mV/div). Load capacitance: 1 $\mu$ F ceramic capacitor and 15 $\mu$ F tantalum capacitor. Bandwidth: 20MHz. See Figure 13.

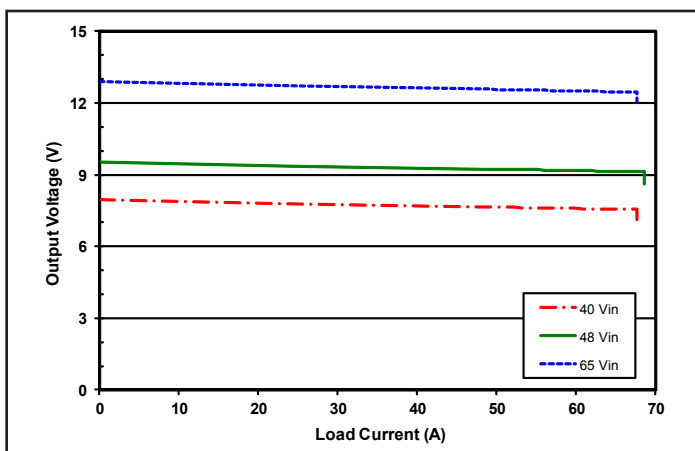


Figure 17: Output voltage vs. load current for different input voltages showing typical current limit curves.

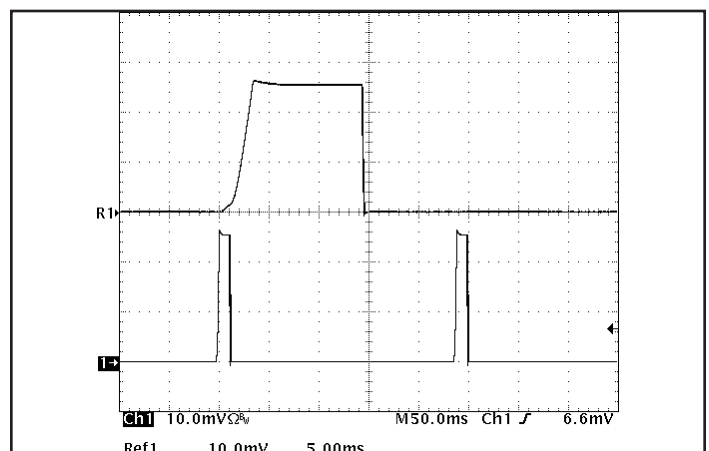


Figure 18: Load current (50A/div) as a function of time when the converter attempts to turn on into a 1m $\Omega$  short circuit. Top trace (5ms/div) is an expansion of the on-time portion of the bottom trace.



### BASIC OPERATION AND FEATURES

With voltages dropping and currents rising, the economics of an Intermediate Bus Architecture (IBA) are becoming more attractive, especially in systems requiring multiple low voltages. IBA systems separate the role of isolation and voltage scaling from regulation and sensing. The BusQor series bus converter provides isolation and an unregulated voltage step down in one compact module, leaving regulation to simpler, less expensive non-isolated converters.

In Figure A below, the BusQor module provides the isolation stage of the IBA system. The isolated bus then distributes power to the non-isolated buck regulators to generate the required voltage levels at the points of load. In this case, the bucks are represented with SynQor's NiQor series of non-isolated DC/DC converters. In many applications requiring multiple low voltage outputs, significant savings can be achieved in board space and overall system costs.

When designing an IBA system with bus converters, the designer can select from a variety of bus voltages. While there is no universally ideal bus voltage, most designs employ one of the following: 12V, 9.6V, 7.5V, 5V, or 3.3V. Higher bus voltages can lead to lower efficiency for the buck regulators but are more efficient for the bus converter and provide lower board level distribution current. Lower bus voltages offer the opposite trade offs.

SynQor's BusQor modules act as a true dc transformer. The output voltage is proportional to the input voltage, with a specified "turns ratio" or voltage ratio, plus minor drop from the internal resistive losses in the module. When used in IBA systems, the output variation of the BusQor must be in accordance with the input voltage range of the non-isolated converters being employed.

The BusQor architecture is very scalable, meaning multiple bus converters can be connected directly in parallel to allow current sharing for higher power applications.

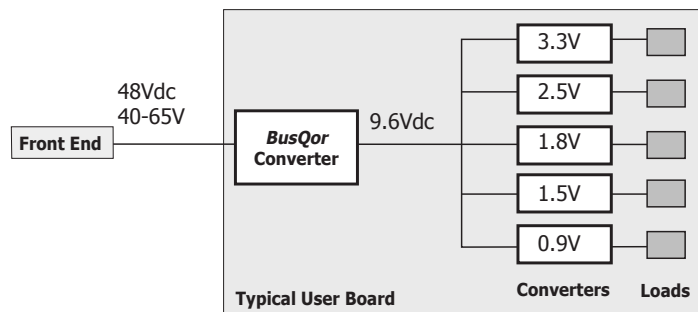


Figure A: Example of Intermediate Bus Architecture using BusQor bus converter and NiQor non-isolated converters

### CONTROL FEATURES

**REMOTE ON/OFF (Pin 2):** The ON/OFF input, Pin 2, permits the user to control when the converter is on or off. This input is referenced to the return terminal of the input bus, Vin(-).

In the negative logic version, the ON/OFF signal is active low (meaning that a low turns the converter on). Figure B is a detailed look of the internal ON/OFF circuitry.

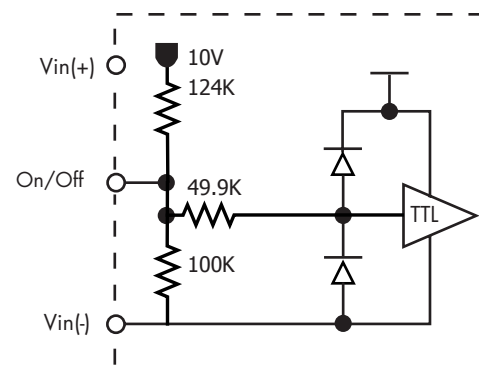


Figure B: Internal ON/OFF pin circuitry

## PROTECTION FEATURES

**Input Under-Voltage Lockout:** The converter is designed to turn off when the input voltage is too low, helping avoid an input system instability problem, described in more detail in the application note titled "Input System Instability". The lockout circuitry is a comparator with DC hysteresis. When the input voltage is rising, it must exceed the typical Turn-On Voltage Threshold value (listed on the specification page) before the converter will turn on. Once the converter is on, the input voltage must fall below the typical Turn-Off Voltage Threshold value before the converter will turn off. Also see Figure E.

**Output Current Limit:** The output of the BusQor module is electronically protected against output overloads. When an overload current greater than the "DC Current-Limit Inception" specification is drawn from the output, the output shuts down to zero volt after a typical period of 1ms (see Figure C). The shutdown period lasts for a typical period of 200ms (Figure D) after which the BusQor tries to power up again (20ms). If the overload persists, the output voltage will go through repeated cycles of shutdown and restart with a duty cycle of 10% (On) and 90% (Off) respectively. The BusQor module returns (auto resetting) to normal operation once the overload is removed. The BusQor is designed to survive in this mode indefinitely without damage and without human intervention. To insure the current limit set point is within the range specified in the electrical characteristics table, adding an input inductor is recommended. This design does not have an "on-board" input inductor like most other SynQor products. The value of the inductor should be selected so that the resonant frequency of this inductor and the "on board" input capacitance is below (with margin) the input ripple frequency ( $2 \cdot f_s$ ).

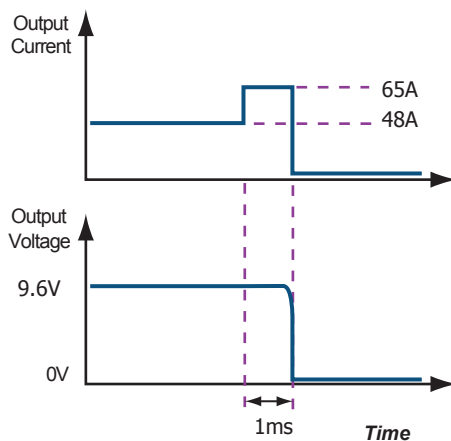


Figure C: Output Overload protection diagram (not to scale)

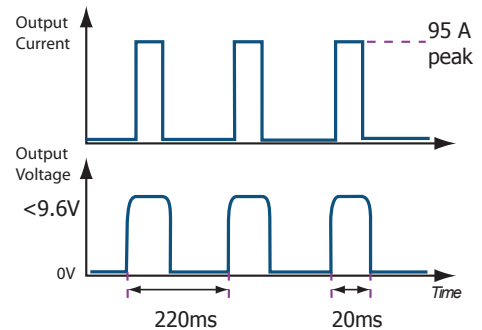


Figure D: Output Short Circuit and Auto-Resetting protection diagram (not to scale)

**Output Short Circuit Protection:** When the output of the BusQor module is shorted, a peak current of typically 95 A will flow into the short circuit for a period of about 20ms. The output of the BusQor will shutdown to zero for  $\sim 200\text{ms}$  (Figure D). At the end of the shutdown period the BusQor module tries to power up again. If the short circuit persists, the output voltage will go through repeated cycles of shutdown and restart with a duty cycle of 10% (On) and 90% (Off) respectively. The BusQor module returns (auto resetting) to normal operation once the short circuit is removed. The BusQor is designed to survive in this mode indefinitely without damage and without human intervention.

In the Auto resetting mode, also referred to as "Hiccup" mode, the power drawn from the 48V input is about 6 Watts, most of which is dissipated into the external fault. It is important that copper traces and pads from the output circuit be designed to withstand the short term peaks, although the average input current into the fault may be as low as 0.13 A typical. See Figure 18 for appropriate waveform.

**Over-Temperature Shutdown:** A temperature sensor on the converter senses the average temperature of the module. The thermal shutdown circuit is designed to turn the converter off when the temperature at the sensed location reaches the Over-Temperature Shutdown value. It will allow the converter to turn on again when the temperature of the sensed location falls by the amount of the Over-Temperature Shutdown Restart Hysteresis value.

### APPLICATION CONSIDERATIONS

**Start-Up Inhibit Period:** Figure E details the Start-Up Inhibit Period for the BusQor module. At time  $t_0$ , when  $V_{in}$  is applied with On/Off pin asserted (enabled), the BusQor output begins to build up. Before time  $t_1$ , when the input voltage is below the UVL threshold, the unit is disabled by the Input Under-Voltage Lockout feature. When the input voltage rises above the UVL threshold, the Input Under-Voltage Lockout is released, and a typical Startup Inhibit Period of 12ms is initiated. The output builds up to 90% of the nominal value of 9.6V in a period of 15ms typical (50 % load).

At time  $t_2$ , when the On/Off pin is de-asserted (disabled), the BusQor output instantly drops to 0V. Fall time from 9.6V to 0V is dependent on output capacitance and any parasitic trace inductance in the output load circuit.

At time  $t_3$ , when the On/Off pin is re-asserted (enabled), the BusQor module output begins to build up after the inhibit period of 200 ms typical has elapsed.

Refer to the Control Features section of the data sheet for details on enabling and disabling methods for Bus Qor modules.

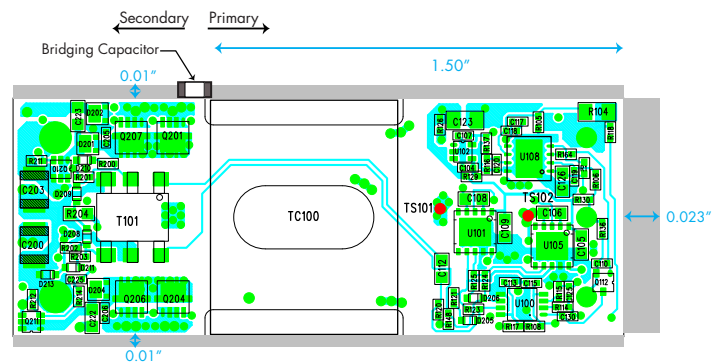


Figure F: Keep Out Areas for BusQor module (bottom view)

**Component Keep Out Area:** Keep out areas for components not referenced to the Primary circuit are shown in shaded areas in Figure F. The keep out areas shown are consistent with UL's requirements for Basic Insulation of 0.04" (40 mils) for Pollution degree 2. User should consult UL standards for other insulation classes and operating environments.

For applications that require mounting parts BELOW the BusQor module, one should be aware of potential high levels of electromagnetic interference, in addition to safety keep out. Users are advised to consult SynQor Applications engineering in such applications.

**Copper Keep Out Area:** Keep out areas shown in Figure F are to be observed for Top layer copper traces and vias. Internal layers buried one or more layers may be exempt, depending on the PCB material grade and thickness. Users are advised to consult UL standards for details.

All layers including top and bottom, are subject to the keep out areas shown around Primary pins of BusQor module. Actual keep outs along the surface (Creepage) may vary depending on the PCB material CTI. Users are advised to consult UL standards for details.

**Bridging Components:** Bridging components like EMI filter capacitors required to be placed as close as possible to the BusQor module for optimum performance must observe the clearance/creepage requirements of 0.04" (40 mils) between pads to maintain compliance to UL standards for the overall power system.

**Note:** Referenced keep out widths are adequate to withstand UL's Basic Insulation Dielectric strength tests for approved PCB materials. Applications requiring Double or Reinforced insulation must double the keep out widths shown in Figure F. Keep out areas shown have standard margins above UL's minimum requirements.

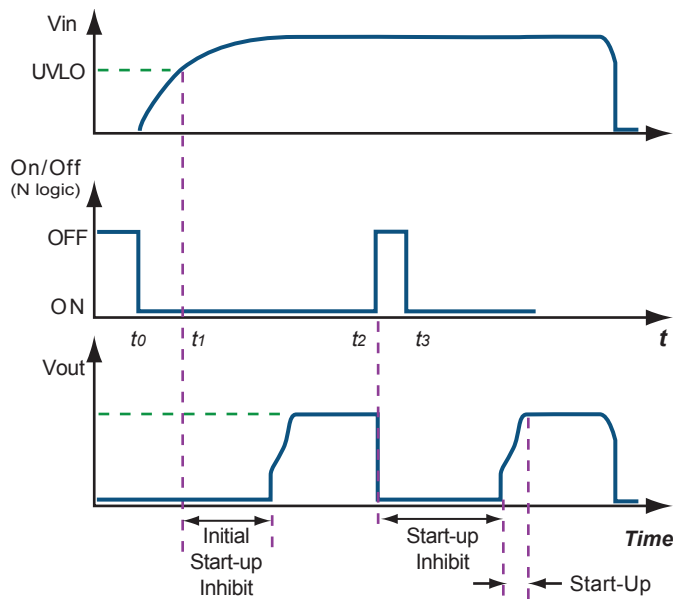


Figure E: Power Up/Down Diagram (not to scale) showing Start-Up Inhibit Period



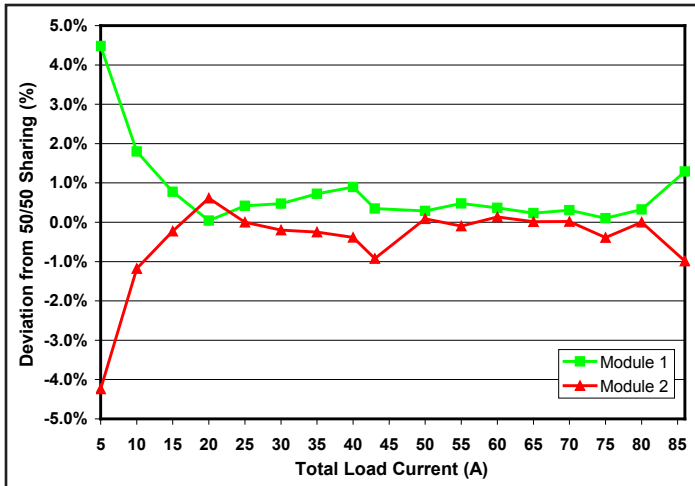


Figure G: Current share performance of 2 paralleled modules

**Current Sharing:** BusQor modules are designed to operate in parallel without the use of any external current share circuitry. A typical circuit for paralleling two BusQor modules is shown in Figure H. An output capacitor is recommended across each module and located close to the converter for optimum filtering and noise control performance. Dedicated input capacitors / inductors are recommended. The input inductor should be placed between the external input capacitor and the input pins of the Bus Qor module. The external input inductor will limit the ripple current into the external input capacitor (this Bus Qor product does not have an "on board" input inductor). PCB layout in the input circuit should be such that high frequency ripple currents of each module is restricted to a loop formed by the input capacitors / inductor and the input terminals of the BusQor module. See Figure H for details on PCB layout. Contact SynQor application engineering for further assistance on PCB trace design.

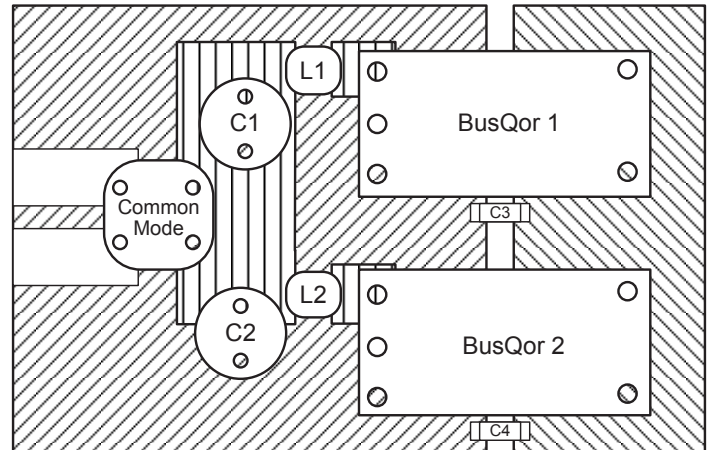


Figure H: Recommended PCB layout for input circuit 48Vin

The current share performance of two paralleled modules is illustrated in the graph in Figure H. In this graph the typical percent deviation from ideal sharing (50%) is plotted for each module versus the total output load current at 48Vin.



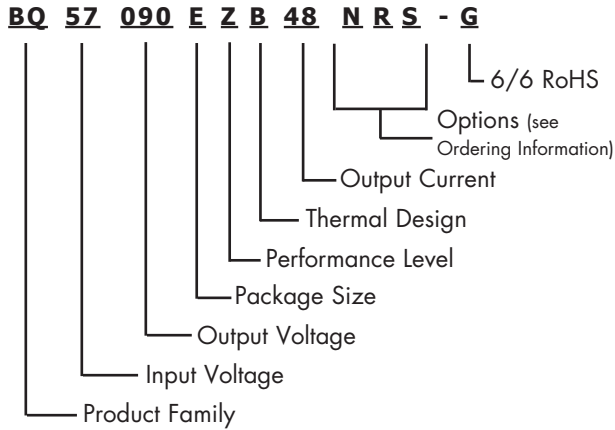


# Ordering Information

**Input: 40-65V**  
**Output: 9.6V**  
**Current: 48A**  
**Package: Eighth-brick**

## Part Numbering System

The part numbering system for SynQor's dc-dc converters follows the format shown in the example below.



The first 12 characters comprise the base part number and the last 3 characters indicate available options. The "-G" suffix indicates 6/6 RoHS compliance.

## Application Notes

A variety of application notes and technical white papers can be downloaded in pdf format from our [website](#).

**RoHS Compliance:** The EU led RoHS (Restriction of Hazardous Substances) Directive bans the use of Lead, Cadmium, Hexavalent Chromium, Mercury, Polybrominated Biphenyls (PBB), and Polybrominated Diphenyl Ether (PBDE) in Electrical and Electronic Equipment. This SynQor product is 6/6 RoHS compliant. For more information please refer to SynQor's RoHS addendum available at our [RoHS Compliance / Lead Free Initiative web page](#) or e-mail us at [rohs@synqor.com](mailto:rohs@synqor.com).

## Contact SynQor for further information and to order:

**Phone:** 978-849-0600  
**Toll Free:** 888-567-9596  
**Fax:** 978-849-0602  
**E-mail:** [power@synqor.com](mailto:power@synqor.com)  
**Web:** [www.synqor.com](http://www.synqor.com)  
**Address:** 155 Swanson Road  
Boxborough, MA 01719  
USA

## Ordering Information

The tables below show the valid model numbers and ordering options for converters in this product family. When ordering SynQor converters, please ensure that you use the complete 15 character part number consisting of the 12 character base part number and the additional characters for options. Add "-G" to the model number for 6/6 RoHS compliance.

Model Number	Input Voltage	Output Voltage	Max Output Current
<b>BQ57090EZB48xyz-G</b>	<b>40-65V</b>	<b>9.6V</b>	<b>48A</b>

The following options must be included in place of the **wxyz** spaces in the model numbers listed above.

Options Description: wxyz			
Thermal Design	Enable Logic	Pin Style	Feature Set
B - Baseplated	N - Negative	N - 0.145" R - 0.180"	S - Standard

Not all combinations make valid part numbers, please contact SynQor for availability. See the [Product Summary web page](#) for more options.

## PATENTS

SynQor holds numerous U.S. patents, one or more of which apply to most of its power converter products. Any that apply to the product(s) listed in this document are identified by markings on the product(s) or on internal components of the product(s) in accordance with U.S. patent laws. SynQor's patents include the following:

5,999,417	6,222,742	6,545,890	6,594,159	6,731,520	6,894,468
6,896,526	6,927,987	7,050,309	7,072,190	7,085,146	7,119,524
7,269,034	7,272,021	7,272,023	7,558,083	7,564,702	7,765,687
7,787,261	8,023,290	8,149,597	8,493,751	8,644,027	9,143,042

## WARRANTY

SynQor offers a three (3) year limited warranty. Complete warranty information is listed on our website or is available upon request from SynQor.