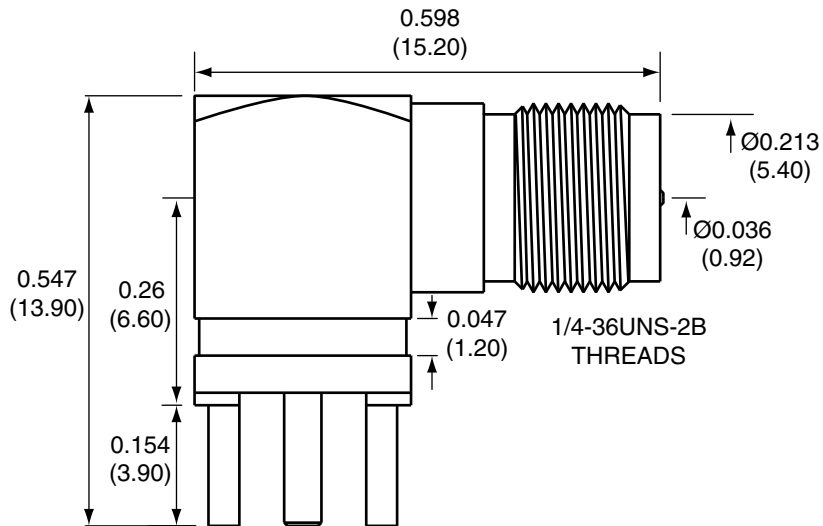
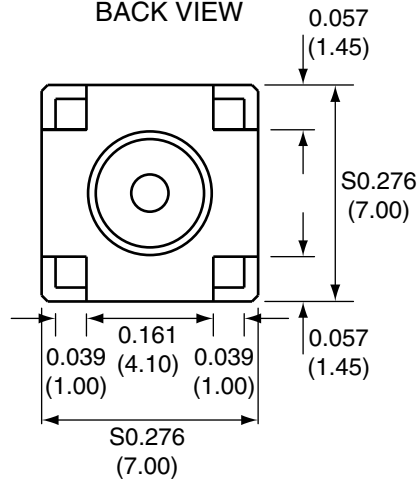


1		
Description	Material	Finish
Body	Brass	Nickel
Pin	BE CU	Gold
Insulation	Teflon	Teflon

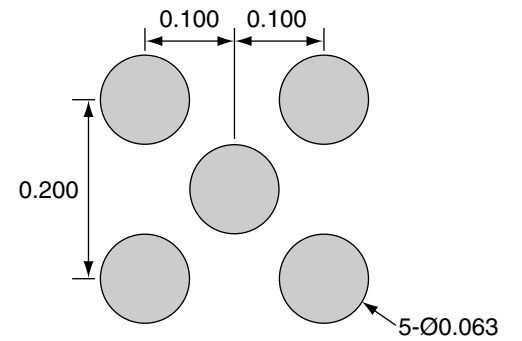
SIDE VIEW



BACK VIEW



RECOMMENDED FOOTPRINT



Title		RP-SMA FEMALE RIGHT ANGLE PCB MOUNT	
Part No.	CONREVSMA002	Revision:	1.0
Dimensions:	INCHES (mm)	Date:	3/2/2005

CONNECTOR CITY  
159 ORT LANE  
MERLIN, OR 97532  
PH (541)-471-6256  
FAX (541)-471-6251

**CONNECTOR CITY**  
THE VALUE OF CONNECTIONS