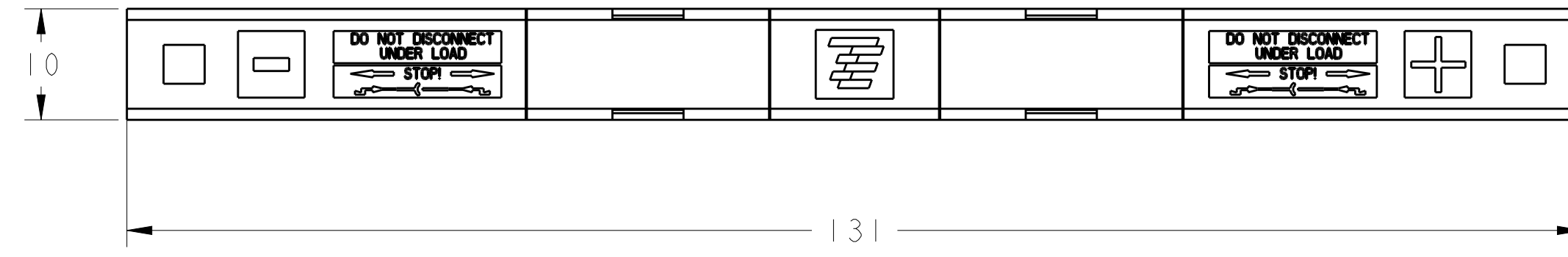
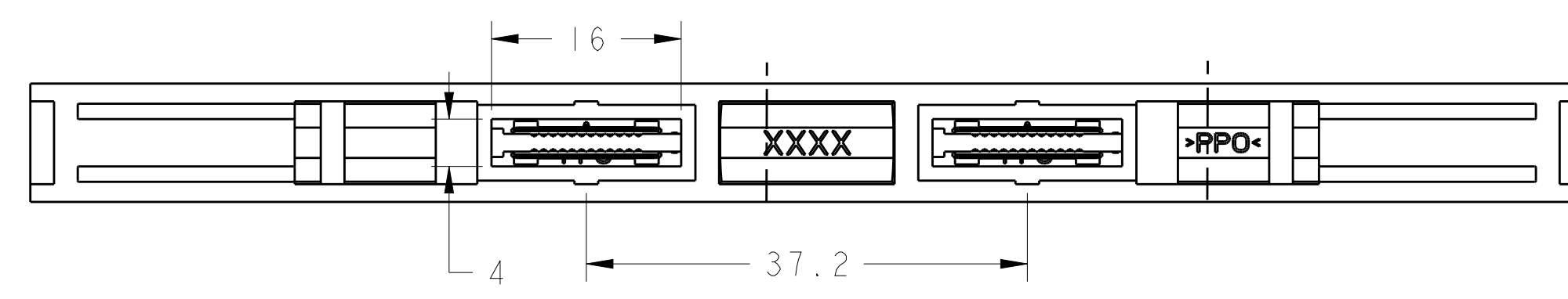
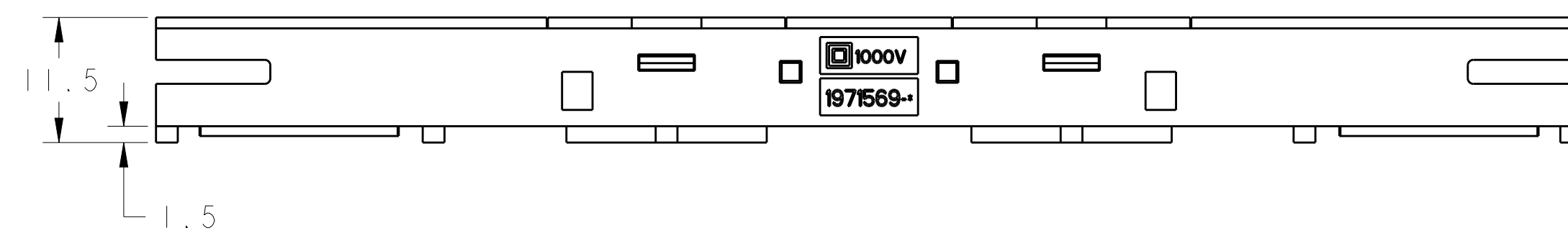


THIS DRAWING IS UNPUBLISHED. RELEASED FOR PUBLICATION 20  
 © COPYRIGHT 20 BY - ALL RIGHTS RESERVED.

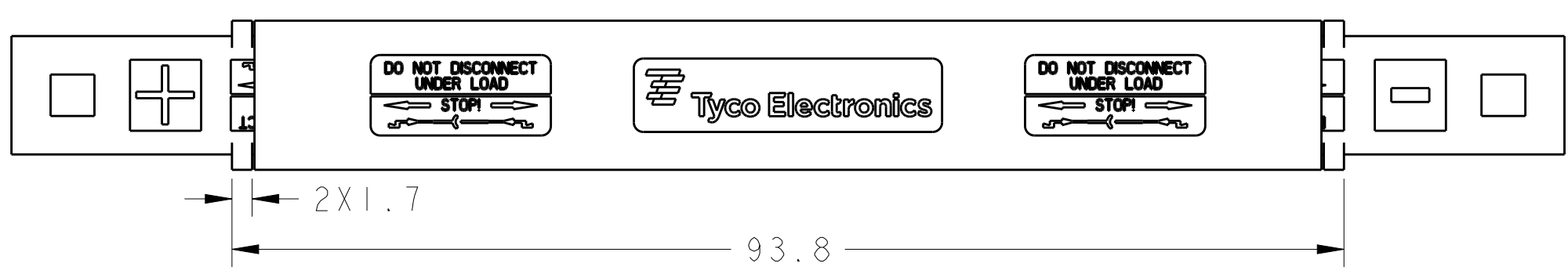
LOC		DIST		REVISIONS			
P	LTR	DESCRIPTION	DATE	DWN	APVD		
-	-	A8	ECR-13-003199	20FEB2013	LW	PY	




- NOTE
- FOR 1971569-1&-2, THE CONNECTION OF THE FOIL AND THE CONTACT IS CLAMPING WITH O-RING(OPTION POTTING MAY APPLY FOR WELDING OR SOLDERING FOIL TO CONTACT)
  - FOR 1971569-3&-4, THE CONNECTION OF THE FOIL AND THE CONTACT IS CLAMPING WITH O-RING(NO POTTING IS REQUIRED)
  - FOR 1971569-5&-6, THE CONNECTION OF THE FOIL AND THE CONTACT IS WELDING OR SOLDERING(POTTING IS REQUIRED)
  - THIS IS PRODUCT FOR BIPV, USING AT THE EDGE OF THE SOLAR PANEL
  - TWO CLASS: 11A FOR CRYSTALLINE, 3A FOR THIN FILM
  - RECOMMEND RIBBIN: WIDTH<=8mm THICKNESS<=0.5mm THE RIBBIN SHOULD BE BENDING BACK. IF THE THICKNESS>0.5mm, THE RIBBIN SHOULD NOT BE BENDING
  - THE POTTING VOLUME IS ABOUT 0.6ML AND TWO AREAS OF ONE STRADDLE EDGE JUNCTION BOX WILL NEED ABOUT 1.2ML
  - ALL THE COMPONENTS ARE PACKAGED SEPARATELY



-1, -2 as shown

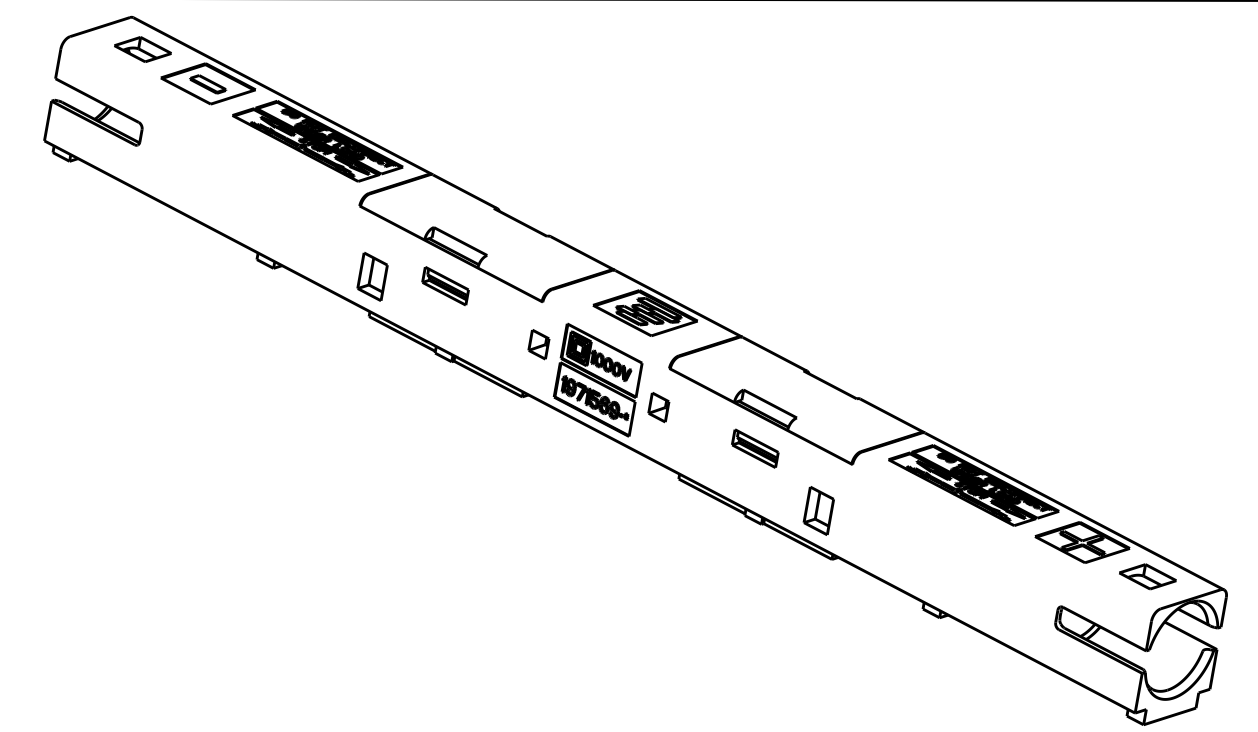
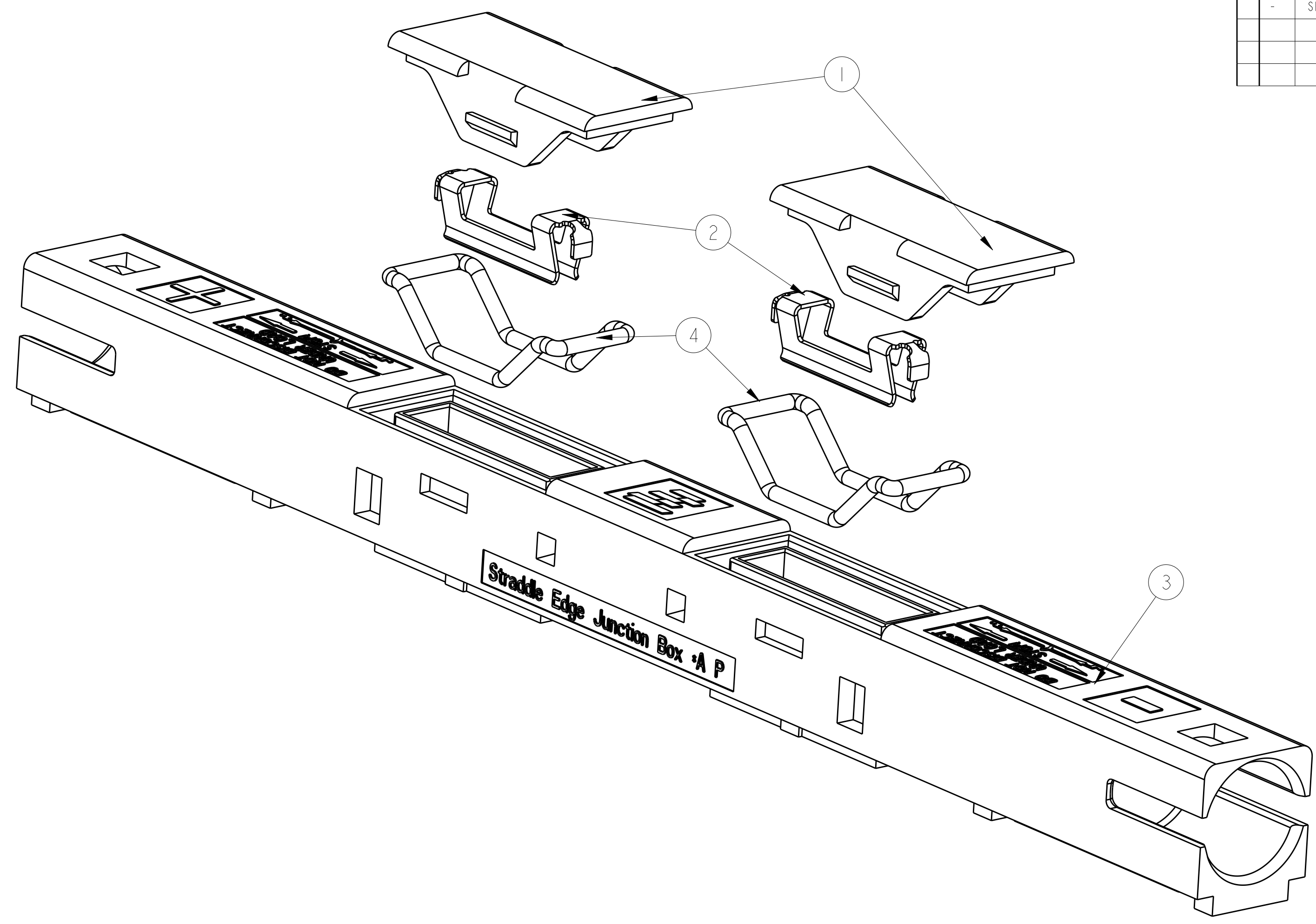


The other dimension is the same as -1 and -2

THIS DRAWING IS A CONTROLLED DOCUMENT.		DWN LORRY WANG 20FEB2013	 TE Connectivity		
DIMENSIONS: mm		CHK DANIEL TAO 20FEB2013			NAME STRADDLE EDGE CONNECTOR ASSY
TOLERANCES UNLESS OTHERWISE SPECIFIED:		APVD PETER YIN 20FEB2013			SIZE CAGE CODE DRAWING NO RESTRICTED TO
0 PLC ±0.5 1 PLC ±0.5 2 PLC ±0.13 3 PLC ± 4 PLC ± ANGLES ± FINISH ±		PRODUCT SPEC 108-106018			SCALE 1:1 SHEET 1 OF 4 REV A8
MATERIAL		APPLICATION SPEC 114-106001	WEIGHT	Customer Drawing	

THIS DRAWING IS UNPUBLISHED. RELEASED FOR PUBLICATION 20  
 © COPYRIGHT 20 BY - ALL RIGHTS RESERVED.

LOC	DIST	REVISIONS			
P	LTR	DESCRIPTION	DATE	DWN	APVD
-	-	SEE SHEET 1	-	-	-



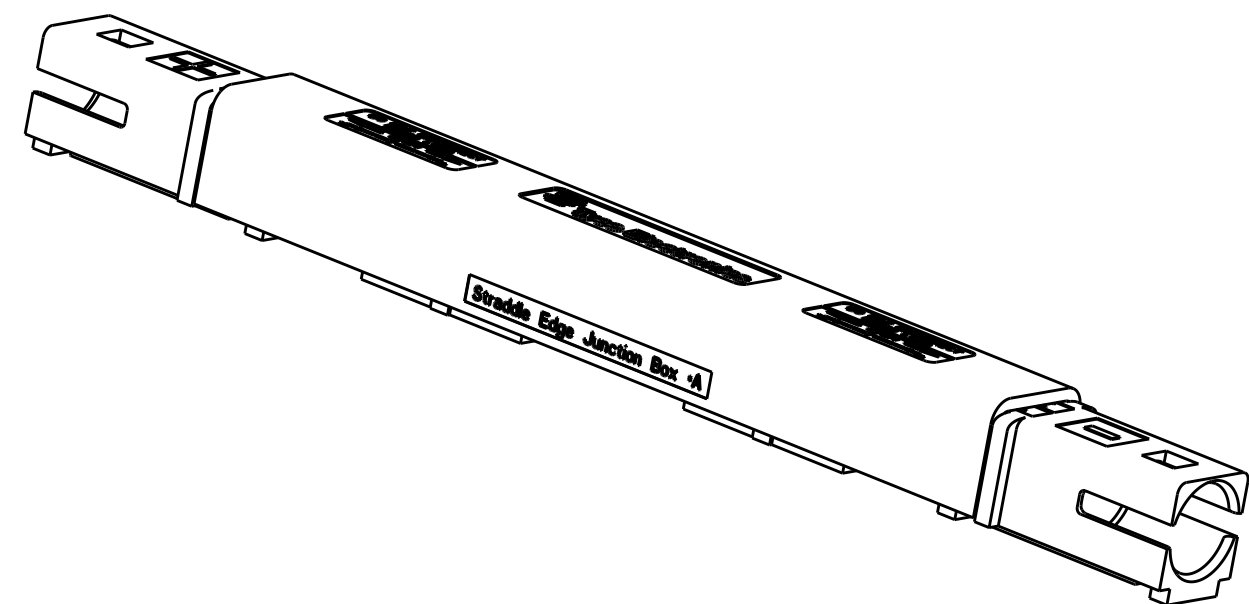
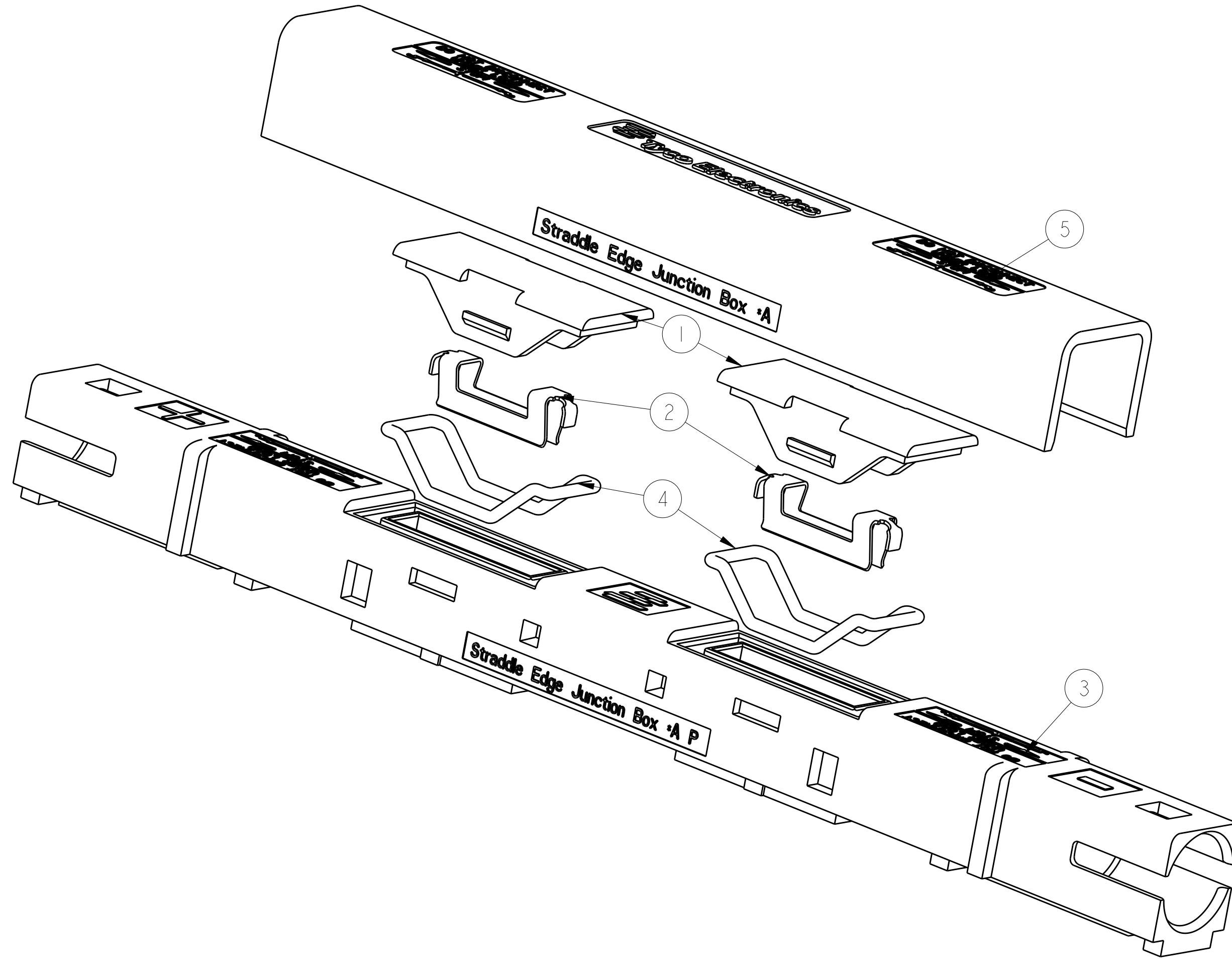
-1, -2 as shown

QTY	QTY	PART NO.	DESCRIPTION	ITEM NO.
2	2	1971144-1	O-RING	4
1	-	1971122-2	EDGE HSG ASSY(DIODE:6A10S)	3
-	1	1971122-1	EDGE HSG ASSY(DIODE:SBH 1540S)	
2	2	1971145-1	CLAMP SPRING	2
2	2	1971143-1	COVER	1

THIS DRAWING IS A CONTROLLED DOCUMENT.		DWN LORRY WANG 20FEB2013	 TE Connectivity
DIMENSIONS: mm		CHK DANIEL TAO 20FEB2013	
TOLERANCES UNLESS OTHERWISE SPECIFIED:		APVD PETER YIN 20FEB2013	
0 PLC ±0.5 1 PLC ±0.5 2 PLC ±0.15 3 PLC ± 4 PLC ± ANGLES ± FINISH ±		PRODUCT SPEC 108-106018 APPLICATION SPEC 114-106001 WEIGHT Customer Drawing	
MATERIAL		NAME STRADDLE EDGE CONNECTOR ASSY	RESTRICTED TO
		SIZE A200779	DRAWING NO C-1971569
		SCALE 1:1	SHEET 2 OF 4 REV A8

THIS DRAWING IS UNPUBLISHED. RELEASED FOR PUBLICATION 20  
 © COPYRIGHT 20 BY - ALL RIGHTS RESERVED.

LOC	DIST	REVISIONS			
P	LTR	DESCRIPTION	DATE	DWN	APVD
-	-	SEE SHEET 1	-	-	-



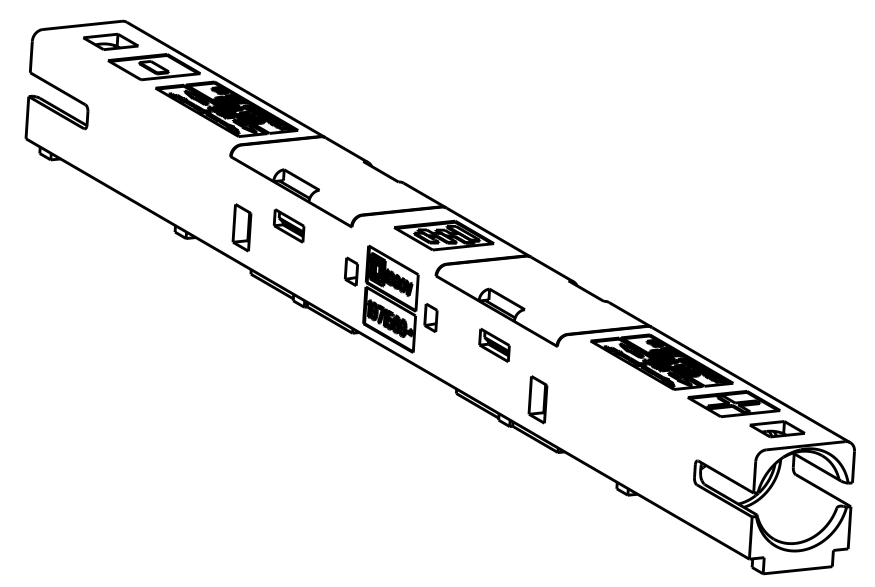
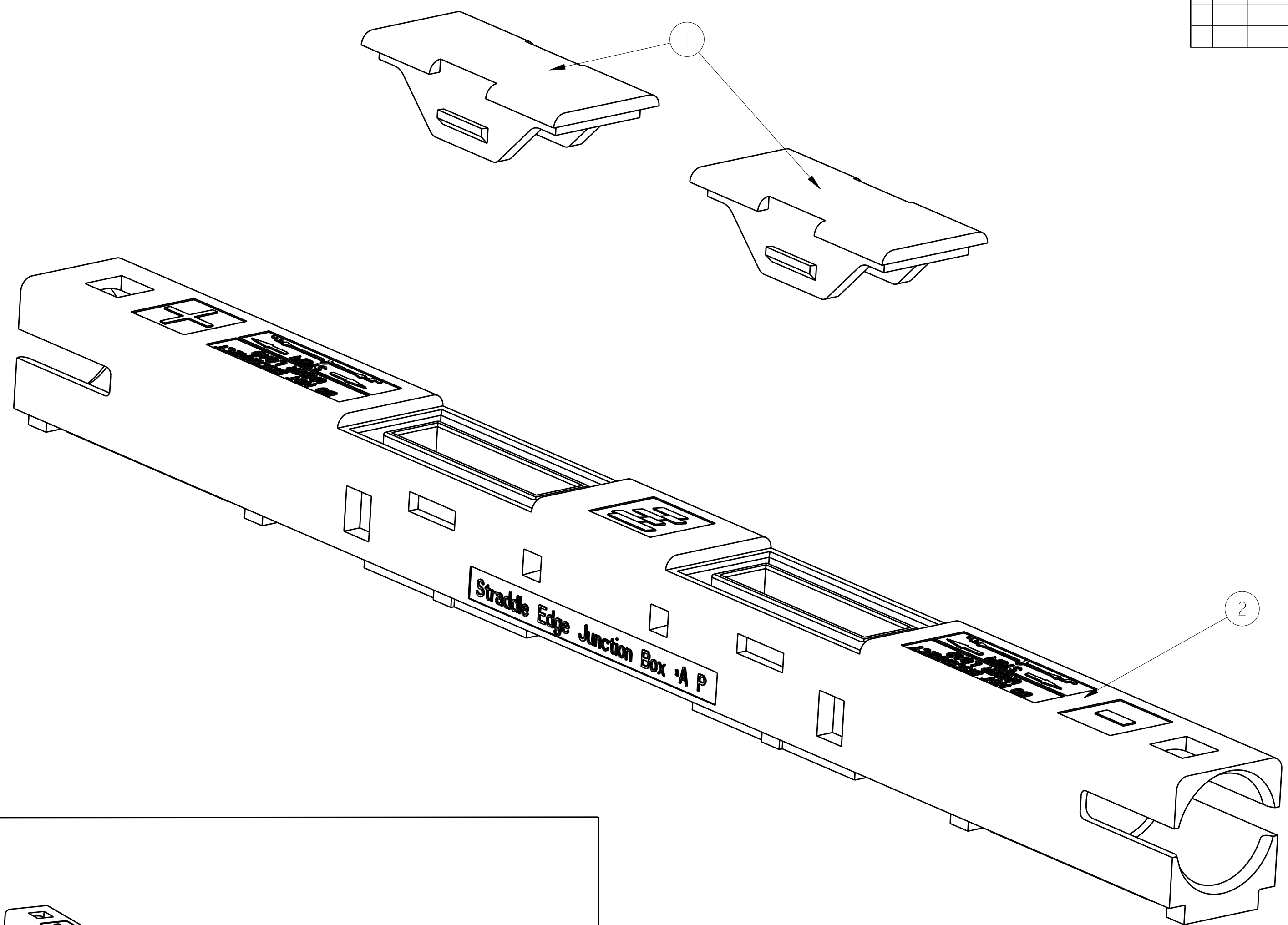
-3, -4 as shown

QTY	QTY	PART NO.	DESCRIPTION	ITEM NO.
1	1	1971674-2	cap housing	5
2	2	1971144-1	O-RING COVER	4
1	-	1971122-4	EDGE HSG ASSY(DIODE:6A10S)	3
-	1	1971122-3	EDGE HSG ASSY(DIODE:SBH 1540S)	
2	2	1971145-1	CLAMP SPRING	2
2	2	1971143-1	COVER	1

THIS DRAWING IS A CONTROLLED DOCUMENT.		DWN LORRY WANG 20FEB2013	TE Connectivity
DIMENSIONS: mm		CHK DANIEL TAO 20FEB2013	
TOLERANCES UNLESS OTHERWISE SPECIFIED: 0 PLC ±0.5 1 PLC ±0.5 2 PLC ±0.13 3 PLC ± 4 PLC ± ANGLES ± FINISH		APVD PETER YIN 20FEB2013	
MATERIAL		PRODUCT SPEC 108-106018 APPLICATION SPEC 114-106001 WEIGHT -	
Customer Drawing			NAME STRADDLE EDGE CONNECTOR ASSY SIZE A2 CAGE CODE 00779 DRAWING NO C-1971569 RESTRICTED TO - SCALE 1:1 SHEET 3 OF 4 REV A8


THIS DRAWING IS UNPUBLISHED. RELEASED FOR PUBLICATION 20  
 © COPYRIGHT 20 BY - ALL RIGHTS RESERVED.

LOC	DIST	REVISIONS			
P	LTR	DESCRIPTION	DATE	DWN	APVD
-	-	SEE SHEET 1	-	-	-



-5, -6 as shown

QTY	QTY	PART NO.	DESCRIPTION	ITEM NO.
1	-	1971122-2	EDGE HSG ASSY(DIODE:6A10S)	2
-	1	1971122-1	EDGE HSG ASSY(DIODE:SBH 1540S)	1
2	2	1971143-1	COVER	1
-6	-5	PART NO.	DESCRIPTION	ITEM NO.

THIS DRAWING IS A CONTROLLED DOCUMENT.		DWN LORRY WANG 20FEB2013	 TE Connectivity													
DIMENSIONS: mm		CHK DANIEL TAO 20FEB2013														
TOLERANCES UNLESS OTHERWISE SPECIFIED:		APVD PETER YIN 20FEB2013														
<table border="0"> <tr> <td>0 PLC</td> <td>±0.5</td> </tr> <tr> <td>1 PLC</td> <td>±0.5</td> </tr> <tr> <td>2 PLC</td> <td>±0.13</td> </tr> <tr> <td>3 PLC</td> <td>±</td> </tr> <tr> <td>4 PLC</td> <td>±</td> </tr> <tr> <td>ANGLES</td> <td>±</td> </tr> <tr> <td>FINISH</td> <td>±</td> </tr> </table>		0 PLC		±0.5	1 PLC	±0.5	2 PLC	±0.13	3 PLC	±	4 PLC	±	ANGLES	±	FINISH	±
0 PLC	±0.5															
1 PLC	±0.5															
2 PLC	±0.13															
3 PLC	±															
4 PLC	±															
ANGLES	±															
FINISH	±															
MATERIAL		Customer Drawing	NAME STRADDLE EDGE CONNECTOR ASSY SIZE A200779 CAGE CODE C-1971569 DRAWING NO - RESTRICTED TO -													
SCALE 1:1			SHEET 4 OF 4 REV A8													