

P-Channel 30 V, 0.048 Ω typ., 4 A STripFET™ H6 DeepGATE™ Power MOSFET in an SOT23-6L package

Datasheet - preliminary data

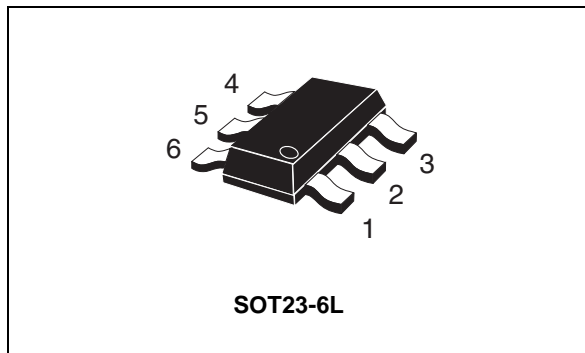
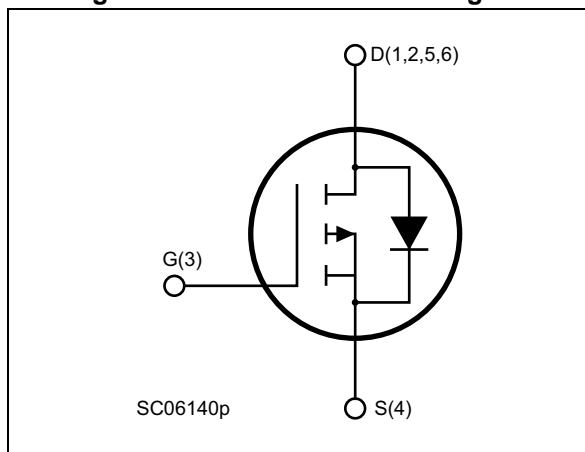


Figure 1. Internal schematic diagram



Features

Order code	V_{DS}	$R_{DS(on)}$ max	I_D
STT4P3LLH6	30 V	0.056 Ω at 10 V	4 A

- Very low on-resistance $R_{DS(on)}$
- Very low gate charge
- High avalanche ruggedness
- Low gate drive power loss

Applications

- Switching applications

Description

This device is a P-channel Power MOSFET developed using the STripFET™ H6 technology with a new trench gate structure. The resulting Power MOSFET exhibits very low $R_{DS(on)}$ in all packages.

Table 1. Device summary

Order code	Marking	Package	Packaging
STT4P3LLH6	4K3L	SOT23-6L	Tape and reel

Note: For the P-channel MOSFET the actual polarity of the voltages and the current must be reversed.

Contents

1	Electrical ratings	3
2	Electrical characteristics	4
	2.1 Electrical characteristics (curves)	6
3	Test circuits	8
4	Package mechanical data	9
5	Revision history	12

1 Electrical ratings

Table 2. Absolute maximum ratings

Symbol	Parameter	Value	Unit
V_{DS}	Drain-source voltage	30	V
V_{GS}	Gate-source voltage	± 20	V
I_D	Drain current (continuous) at $T_{amb} = 25\text{ }^\circ\text{C}$	4	A
I_D	Drain current (continuous) at $T_{amb} = 100\text{ }^\circ\text{C}$	2.5	A
$I_{DM}^{(1)}$	Drain current (pulsed)	16	A
P_{TOT}	Total dissipation at $T_{amb} = 25\text{ }^\circ\text{C}$	1.6	W
T_j	Max. operating junction temperature	150	$^\circ\text{C}$
T_{stg}	Storage temperature	-55 to 150	$^\circ\text{C}$

1. Pulse width limited by safe operating area

Table 3. Thermal resistance

Symbol	Parameter	Value	Unit
$R_{thj-amb}^{(1)}$	Thermal resistance junction-amb max	78	$^\circ\text{C/W}$

1. When mounted on FR-4 board of 1 inch², 2oz Cu, t < 10 sec

Note: For the P-channel MOSFET the actual polarity of the voltages and the current must be reversed.

2 Electrical characteristics

($T_{CASE} = 25\text{ °C}$ unless otherwise specified).

Table 4. Static

Symbol	Parameter	Test conditions	Min	Typ	Max	Unit
$V_{(BR)DSS}$	Drain-source breakdown Voltage ($V_{GS} = 0$)	$I_D = 250\ \mu\text{A}$,	30			V
I_{DSS}	Zero gate voltage drain current	$V_{GS} = 0\ \text{V}$, $V_{DS} = 30\ \text{V}$			1	μA
		$V_{GS} = 0\ \text{V}$, $V_{DS} = 30\ \text{V}$, $T_C = 125\text{ °C}$			10	
I_{GSS}	Gate body leakage current	$V_{DS} = 0\ \text{V}$, $V_{GS} = \pm 20\ \text{V}$			100	nA
$V_{GS(th)}$	Gate threshold voltage	$V_{DS} = V_{GS}$, $I_D = 250\ \mu\text{A}$	1		2.5	V
$R_{DS(on)}$	Static drain-source on- resistance	$V_{GS} = 10\ \text{V}$, $I_D = 2\ \text{A}$		0.048	0.056	Ω
		$V_{GS} = 4.5\ \text{V}$, $I_D = 2\ \text{A}$		0.075	0.09	

Table 5. Dynamic

Symbol	Parameter	Test conditions	Min	Typ	Max	Unit
C_{iss}	Input capacitance	$V_{DS} = 25\ \text{V}$, $f = 1\ \text{MHz}$, $V_{GS} = 0$	-	639	-	pF
C_{oss}	Output capacitance		-	79	-	
C_{rss}	Reverse transfer capacitance		-	52	-	
Q_g	Total gate charge	$V_{DD} = 15\ \text{V}$, $I_D = 4\ \text{A}$ $V_{GS} = 4.5\ \text{V}$	-	6	-	nC
Q_{gs}	Gate-source charge		-	1.9	-	
Q_{gd}	Gate-drain charge		-	2.1	-	

Table 6. Switching times

Symbol	Parameter	Test conditions	Min	Typ	Max	Unit
$t_{d(on)}$	Voltage delay time	$V_{DD} = 15\ \text{V}$, $I_D = 2\ \text{A}$, $R_G = 4.7\ \Omega$, $V_{GS} = 10\ \text{V}$	-	5.4	-	ns
$t_r(v)$	Voltage rise time		-	5	-	
$t_{d(off)}$	Current fall time		-	19.2	-	
t_f	Crossing time		-	3.4	-	

Table 7. Source drain diode

Symbol	Parameter	Test conditions	Min	Typ	Max	Unit
$V_{SD}^{(1)}$	Forward on voltage	$I_{SD} = 4 \text{ A}$, $V_{GS} = 0$	-		1.1	V
t_{rr}	Reverse recovery time	$I_{SD} = 4 \text{ A}$, $di/dt = 100 \text{ A}/\mu\text{s}$, $V_{DD} = 16 \text{ V}$, $T_J = 150 \text{ }^\circ\text{C}$	-	11.2		ns
Q_{rr}	Reverse recovery charge		-	3.5		nC
I_{RRM}	Reverse recovery current		-	0.6		A

1. Pulsed: pulse duration = 300 μs , duty cycle 1.5%

Note: For the P-channel MOSFET the actual polarity of the voltages and the current must be reversed.

2.1 Electrical characteristics (curves)

Figure 2. Safe operating area

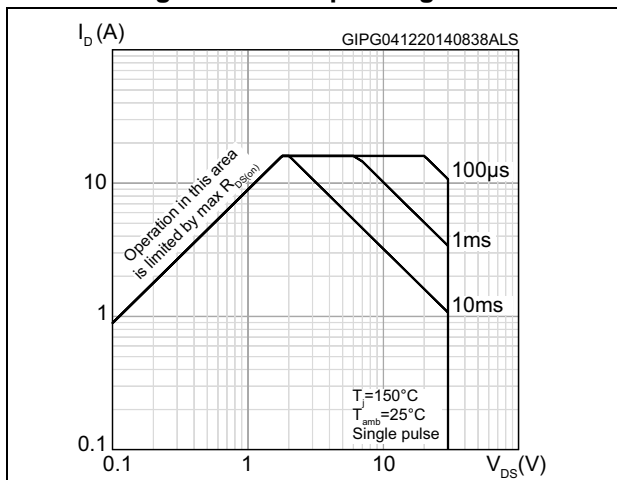


Figure 3. Thermal impedance

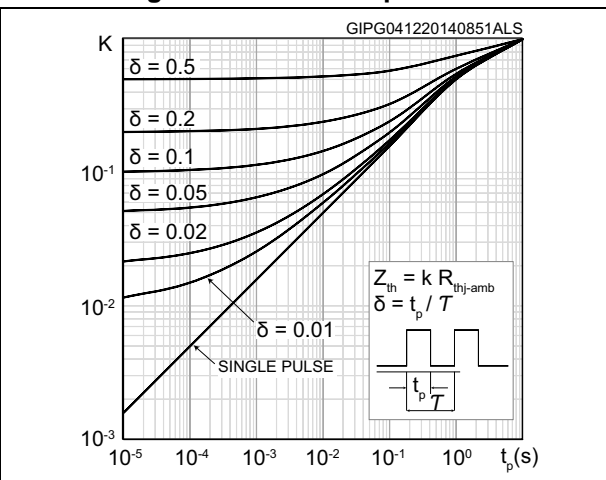


Figure 4. Output characteristics

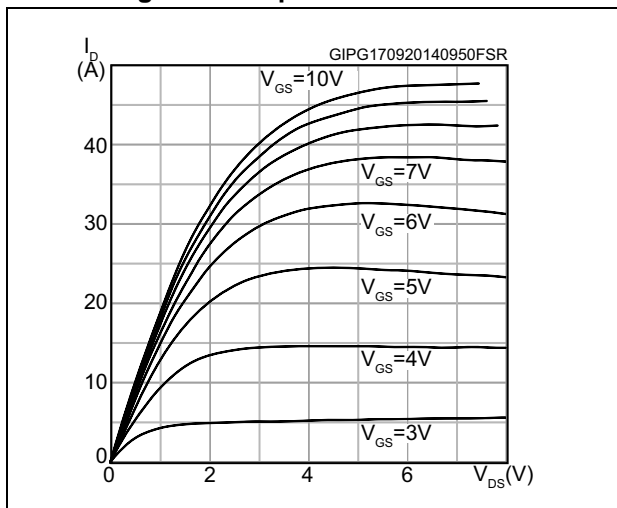


Figure 5. Transfer characteristics

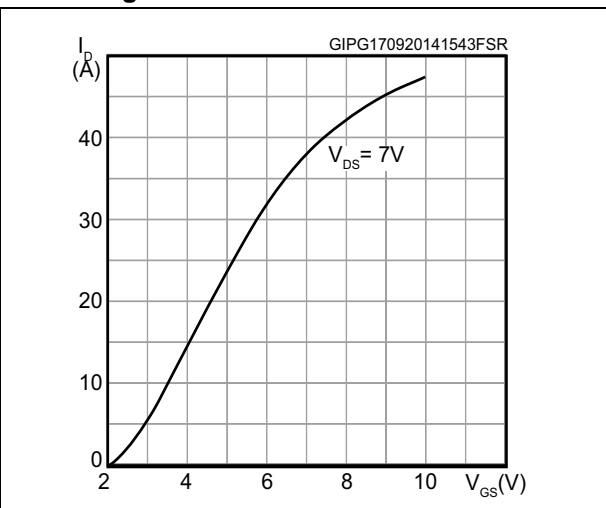


Figure 6. Gate charge vs gate-source voltage

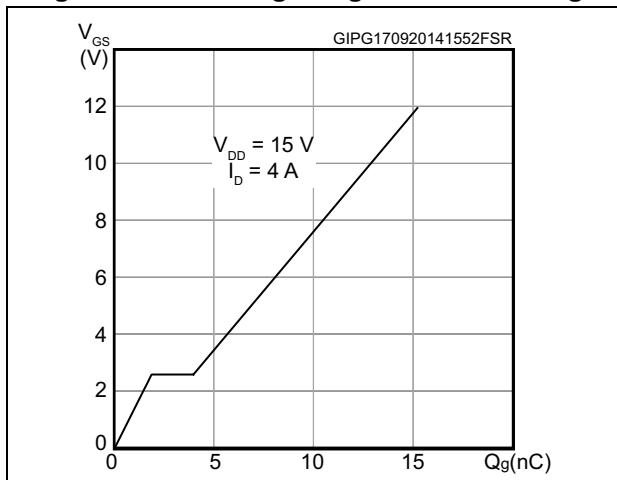


Figure 7. Static drain-source on-resistance

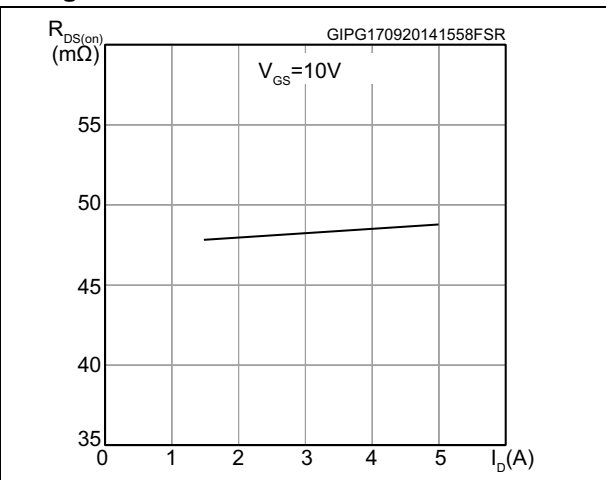


Figure 8. Normalized $V_{(BR)DSS}$ vs temperature

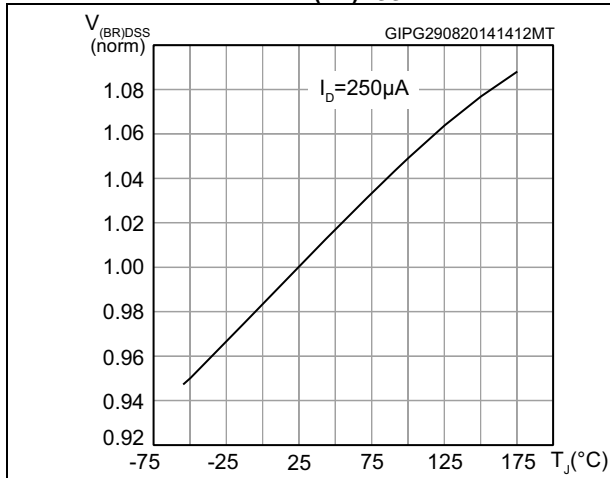


Figure 9. Capacitance variations

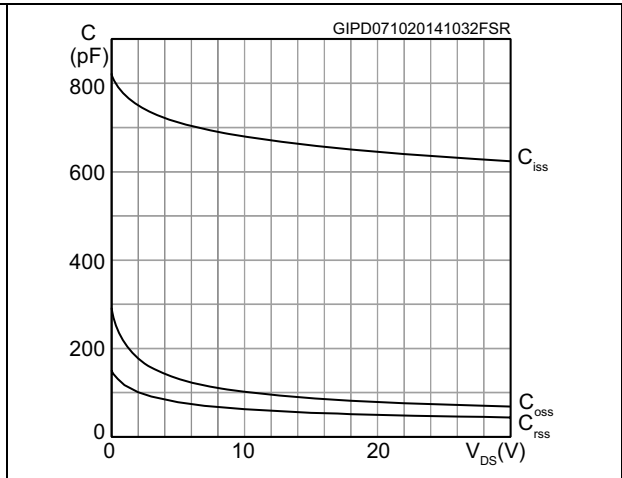


Figure 10. Normalized gate threshold voltage vs. temperature

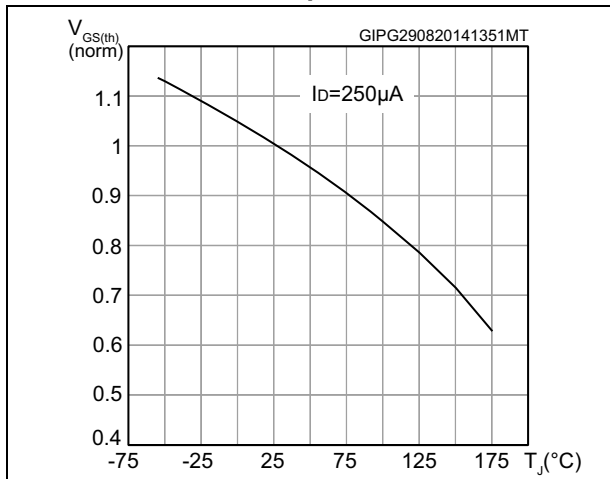


Figure 11. Normalized on-resistance vs. temperature

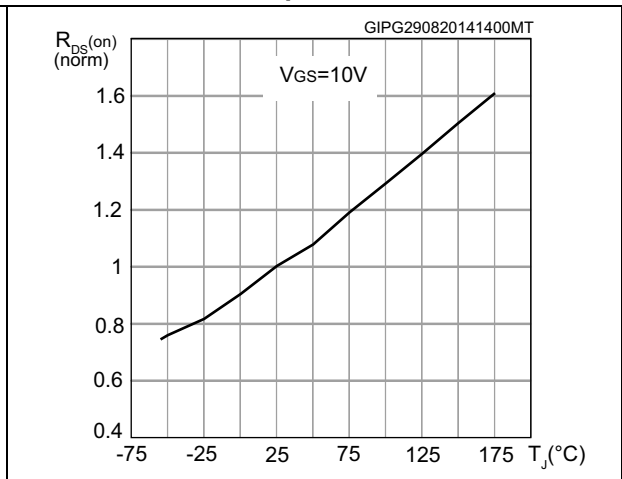
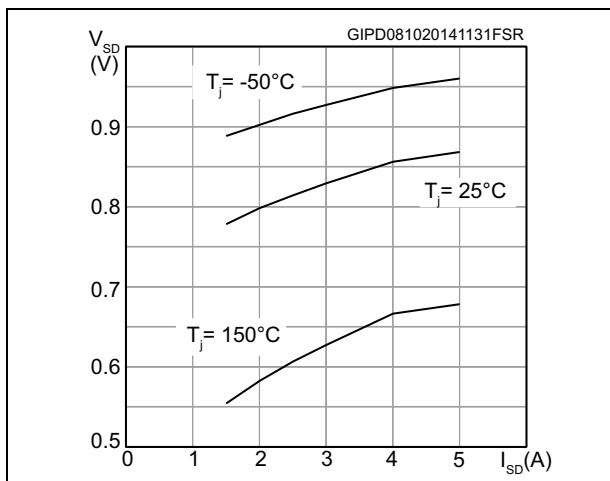


Figure 12. Source-drain diode forward characteristics



3 Test circuits

Figure 13. Switching times test circuit for resistive load

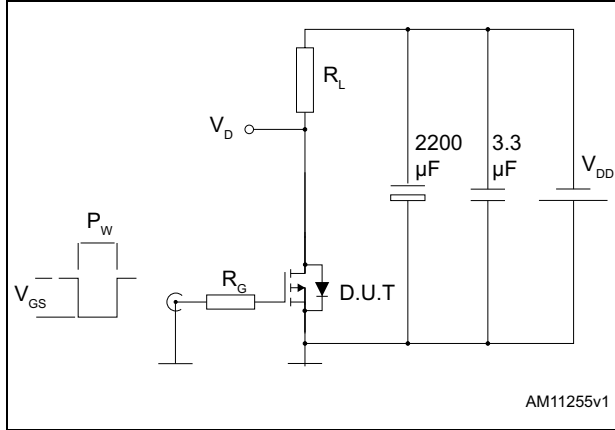


Figure 14. Gate charge test circuit

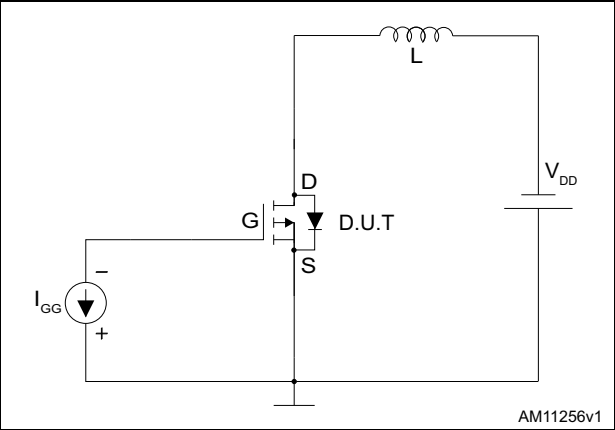
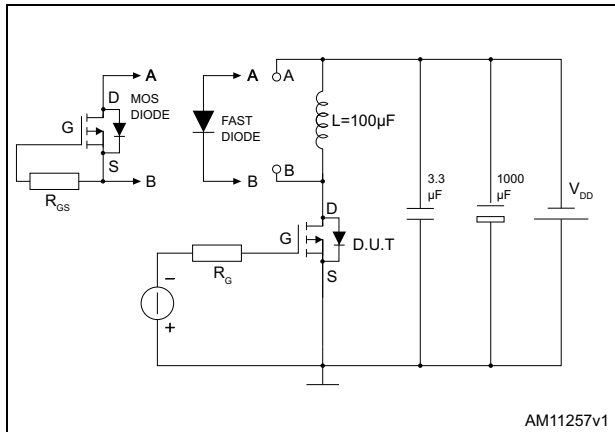


Figure 15. Test circuit for inductive load switching and diode recovery times



4 Package mechanical data

In order to meet environmental requirements, ST offers these devices in different grades of ECOPACK[®] packages, depending on their level of environmental compliance. ECOPACK[®] specifications, grade definitions and product status are available at: www.st.com. ECOPACK[®] is an ST trademark.

Figure 16. SOT23-6L package drawing

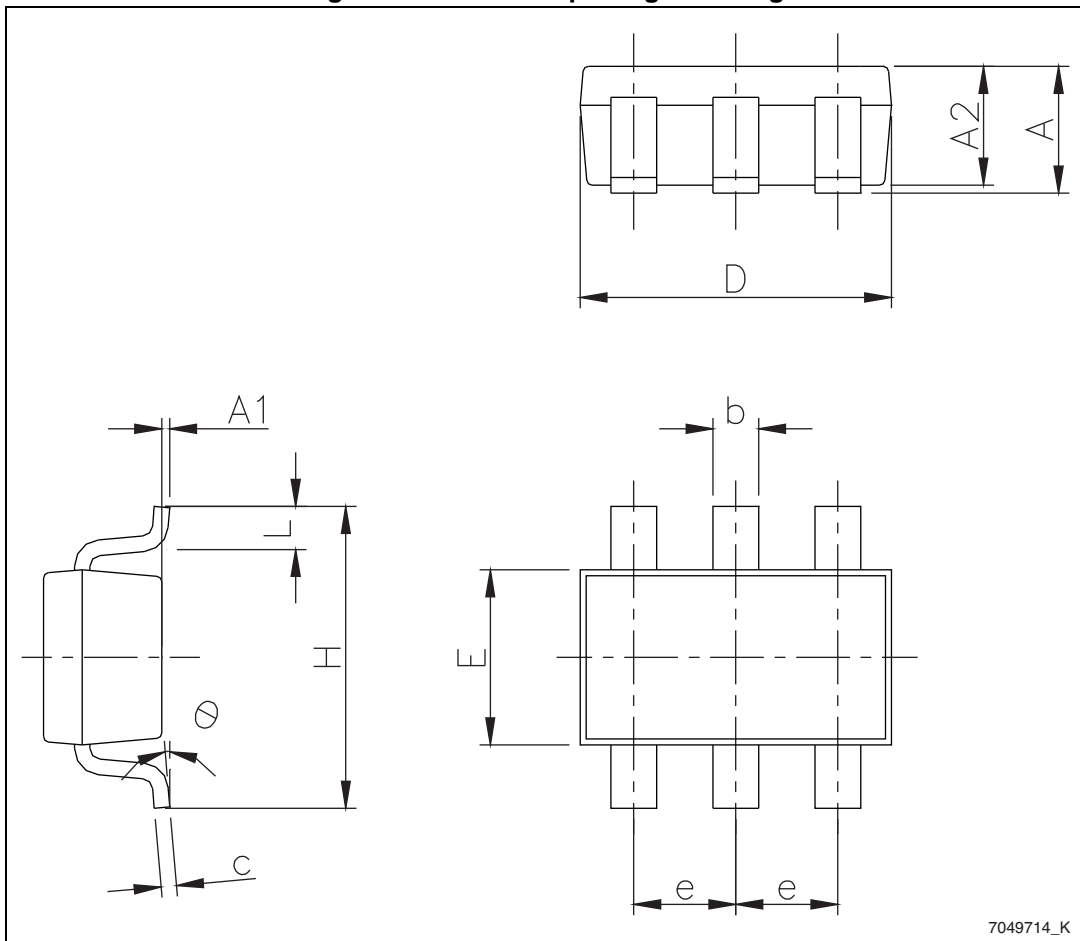
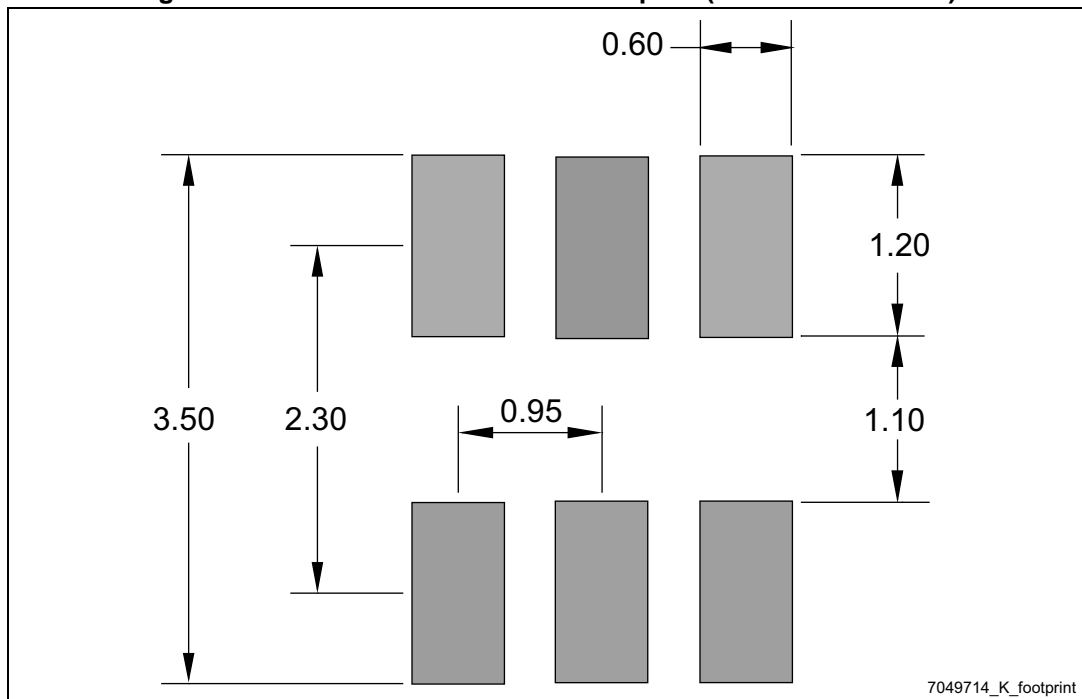


Table 8. SOT23-6L package mechanical data

Dim.	mm		
	Min.	Typ.	Max.
A			1.25
A1	0.00		0.15
A2	1.00	1.10	1.20
b	0.36		0.50
C	0.14		0.20
D	2.826	2.926	3.026
E	1.526	1.626	1.726
e	0.90	0.95	1.00
H	2.60	2.80	3.00
L	0.35	0.45	0.60
θ	0°		8°

Figure 17. SOT23-6L recommended footprint (dimensions in mm)



5 Revision history

Table 9. Document revision history

Date	Revision	Changes
09-May-2013	1	First release.
09-Dec-2014	2	Text edits throughout document On cover page: – changed title description – updated <i>Features</i> – updated <i>Description</i> Updated Table 4 In Table 5 , changed values and test conditions In Table 6 , changed values and test conditions In Table 7 , changed values and test conditions Added Section 2.1: Electrical characteristics (curves) Updated Section 3: Test circuits Updated Section 4: Package mechanical data

IMPORTANT NOTICE – PLEASE READ CAREFULLY

STMicroelectronics NV and its subsidiaries ("ST") reserve the right to make changes, corrections, enhancements, modifications, and improvements to ST products and/or to this document at any time without notice. Purchasers should obtain the latest relevant information on ST products before placing orders. ST products are sold pursuant to ST's terms and conditions of sale in place at the time of order acknowledgement.

Purchasers are solely responsible for the choice, selection, and use of ST products and ST assumes no liability for application assistance or the design of Purchasers' products.

No license, express or implied, to any intellectual property right is granted by ST herein.

Resale of ST products with provisions different from the information set forth herein shall void any warranty granted by ST for such product.

ST and the ST logo are trademarks of ST. All other product or service names are the property of their respective owners.

Information in this document supersedes and replaces information previously supplied in any prior versions of this document.

© 2014 STMicroelectronics – All rights reserved