

Description: Outdoor, dual WiFi, swivel, IP67, with RP-SMA

Series: Stick Antenna

PART NUMBER: W5098

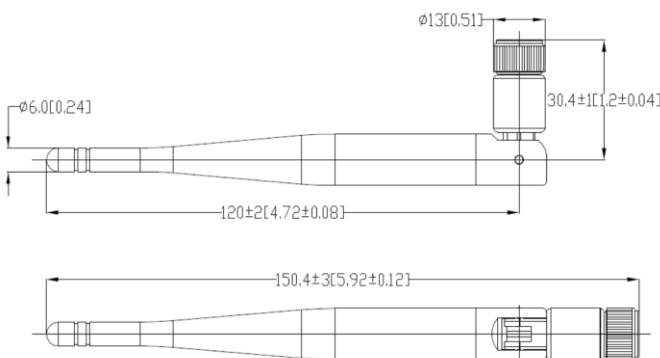


Features:

- Dual band Wifi stick antenna
- Omni directional for 360° coverage horizontal plane
- RoHS Compliant
- Covers the 2.4 GHz and 5.0 - 5.85 GHz frequencies bands.
- IP67
- RP - SMA Swivel connector

Applications:

- Used in conjunction with WLAN devices using WiFi (802.11a/b/g), Bluetooth and ZigBee
- In-building wireless access points (AP)
- Replacements for wireless routers
- Economical solution for OEMs with dual-band wireless devices.



All dimensions are in mm / inches

Issue: 1619

In the effort to improve our products, we reserve the right to make changes judged to be necessary.

CONFIDENTIAL AND PROPRIETARY INFORMATION

This document contains confidential and proprietary information of Pulse Electronics, Inc. (Pulse) and is protected by copyright, trade secret and other state and federal laws. Its receipt or possession does not convey any rights to reproduce, disclose its contents, or to manufacture, use or sell anything it may describe. Reproduction, disclosure or use without specific written authorization of Pulse is strictly forbidden.

For more information:

Pulse Worldwide Headquarters
15255 Innovation Drive #100
San Diego, CA 92128
USA
Tel:1-858-674-8100

Pulse/Larsen Antennas
18110 SE 34th St Bldg 2 Suite 250
Vancouver, WA 98683
USA
Tel: 1-360-944-7551

Europe Headquarters
Pulse GmbH & Do, KG
Zeppelinstrasse 15
Herrenberg, Germany
Tel: 49 7032 7806 0

Pulse (Suzhou) Wireless Products Co, Inc.
99 Huo Ju Road(#29 Bldg,4th Phase
Suzhou New District
Jiangsu Province, Suzhou 215009 PR China
Tel: 86 512 6807 9998



Description: Outdoor, dual WiFi, swivel, IP67,
with RP-SMA

Series: Stick Antenna

PART NUMBER: W5098

ELECTRICAL SPECIFICATIONS

Frequency	2400-2500MHz & 5150-5850MHz
Nominal Impedance	50Ω
VSWR	2.0 Max
Peak Gain (2400-2500MHz)	1.7dBi
Peak Gain (5150-5850MHz)	3.5dBi
Average efficiency(2400-2500MHz)	65%
Average efficiency(5150-5850MHz)	71%
Polarization:	linear

Issue: 1619

In the effort to improve our products, we reserve the right to make changes judged to be necessary.

CONFIDENTIAL AND PROPRIETARY INFORMATION

This document contains confidential and proprietary information of Pulse Electronics, Inc. (Pulse) and is protected by copyright, trade secret and other state and federal laws. Its receipt or possession does not convey any rights to reproduce, disclose its contents, or to manufacture, use or sell anything it may describe. Reproduction, disclosure or use without specific written authorization of Pulse is strictly forbidden.

Description: Outdoor, dual WiFi, swivel, IP67,
with RP-SMA

Series: Stick Antenna

PART NUMBER: W5098

MECHANICAL SPECIFICATIONS

Antenna body	TPEE
Color	Black
Ingress Protection	IP67
Weight	17.3 g
Overall Length	5.92 INCHES
Connector type	RP-SMA

ENVIRONMENTAL SPECIFICATIONS

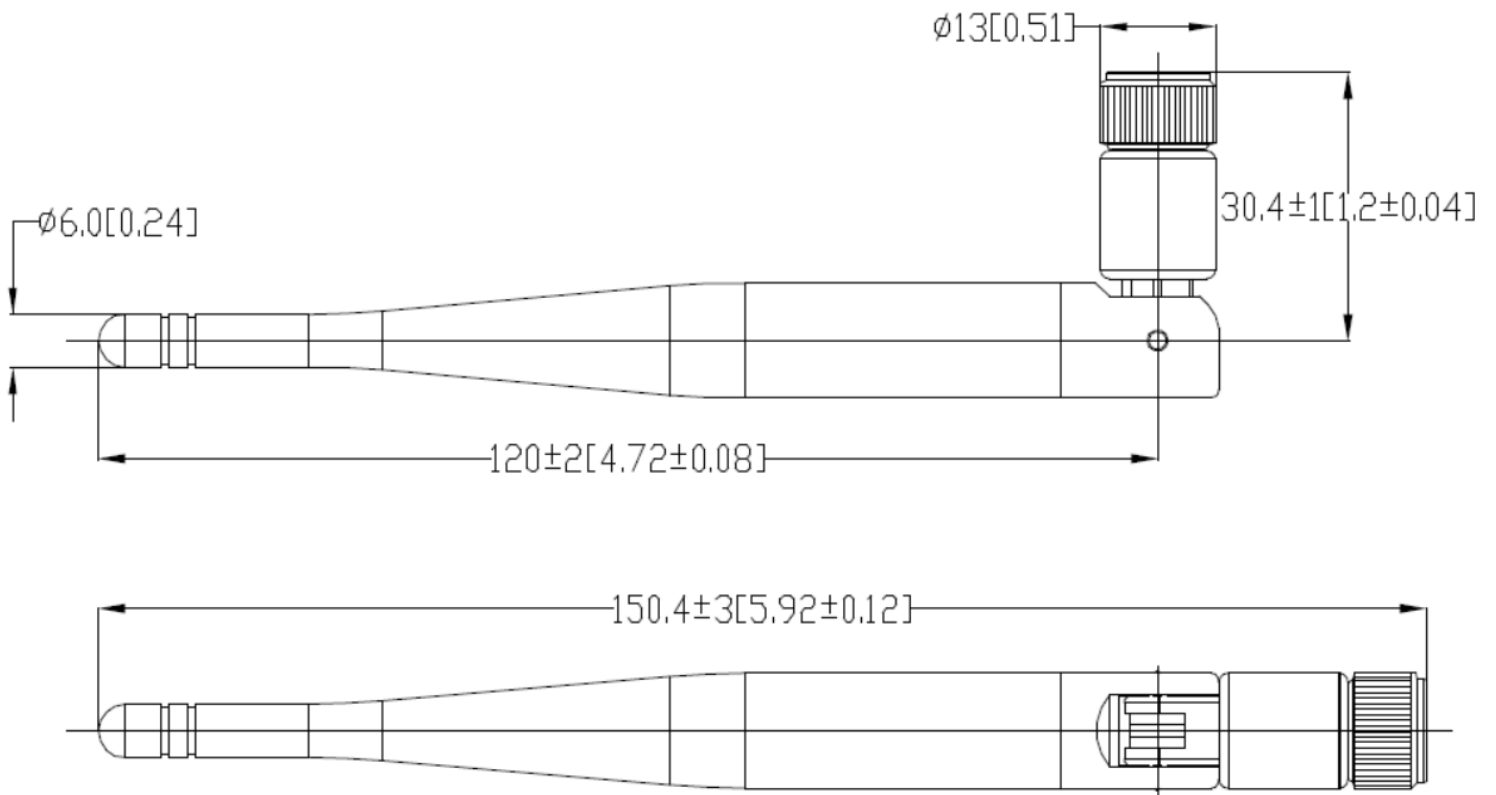
Operating temperature	-40/+85 ° C
-----------------------	-------------

Description: Outdoor, dual WiFi, swivel, IP67,
with RP-SMA

Series: Stick Antenna

PART NUMBER: W5098

MECHANICAL DRAWING



Issue: 1619

In the effort to improve our products, we reserve the right to make changes judged to be necessary.

CONFIDENTIAL AND PROPRIETARY INFORMATION

This document contains confidential and proprietary information of Pulse Electronics, Inc. (Pulse) and is protected by copyright, trade secret and other state and federal laws. Its receipt or possession does not convey any rights to reproduce, disclose its contents, or to manufacture, use or sell anything it may describe. Reproduction, disclosure or use without specific written authorization of Pulse is strictly forbidden.

Description: Outdoor, dual WiFi, swivel, IP67, with RP-SMA

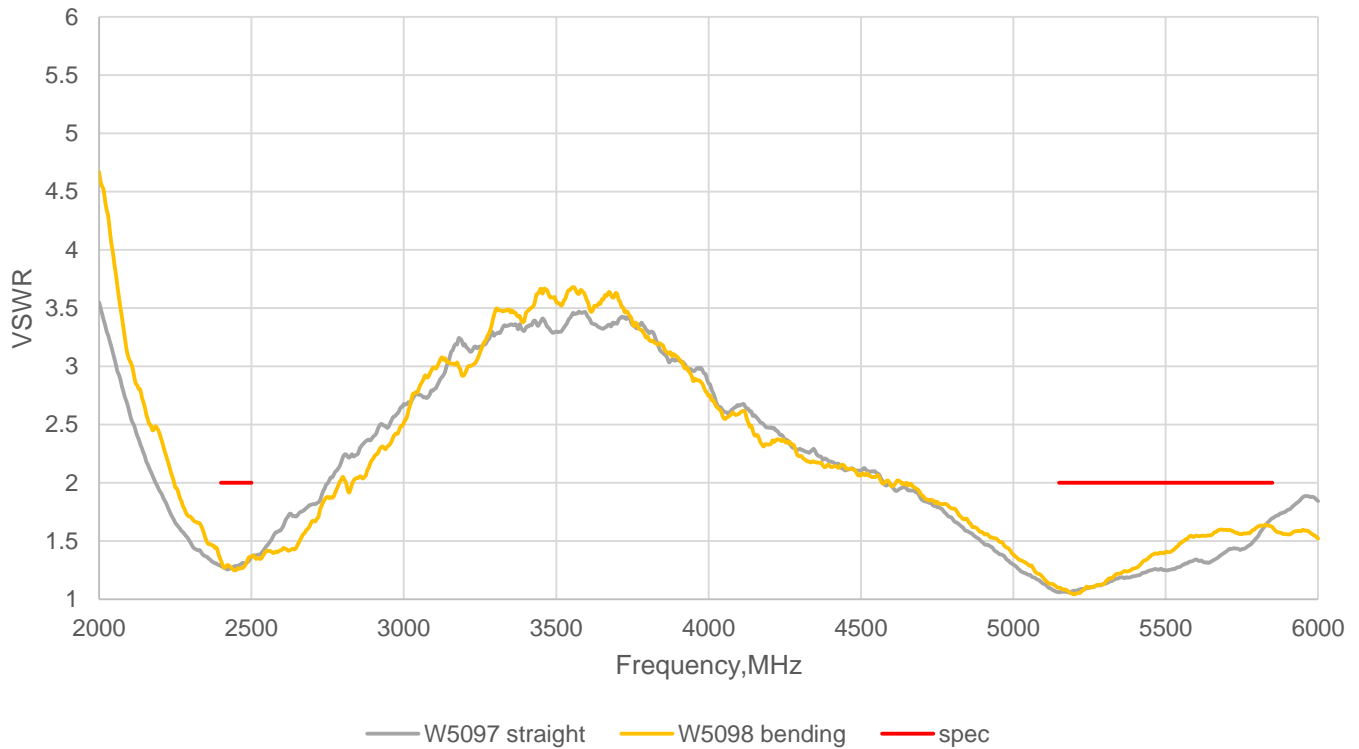
Series: Stick Antenna

PART NUMBER: W5098

CHARTS

VSWR measured in free space

VSWR vs Frequency
W5098 measured in PSU, May 5, 2016



Issue: 1619

In the effort to improve our products, we reserve the right to make changes judged to be necessary.

CONFIDENTIAL AND PROPRIETARY INFORMATION

This document contains confidential and proprietary information of Pulse Electronics, Inc. (Pulse) and is protected by copyright, trade secret and other state and federal laws. Its receipt or possession does not convey any rights to reproduce, disclose its contents, or to manufacture, use or sell anything it may describe. Reproduction, disclosure or use without specific written authorization of Pulse is strictly forbidden.

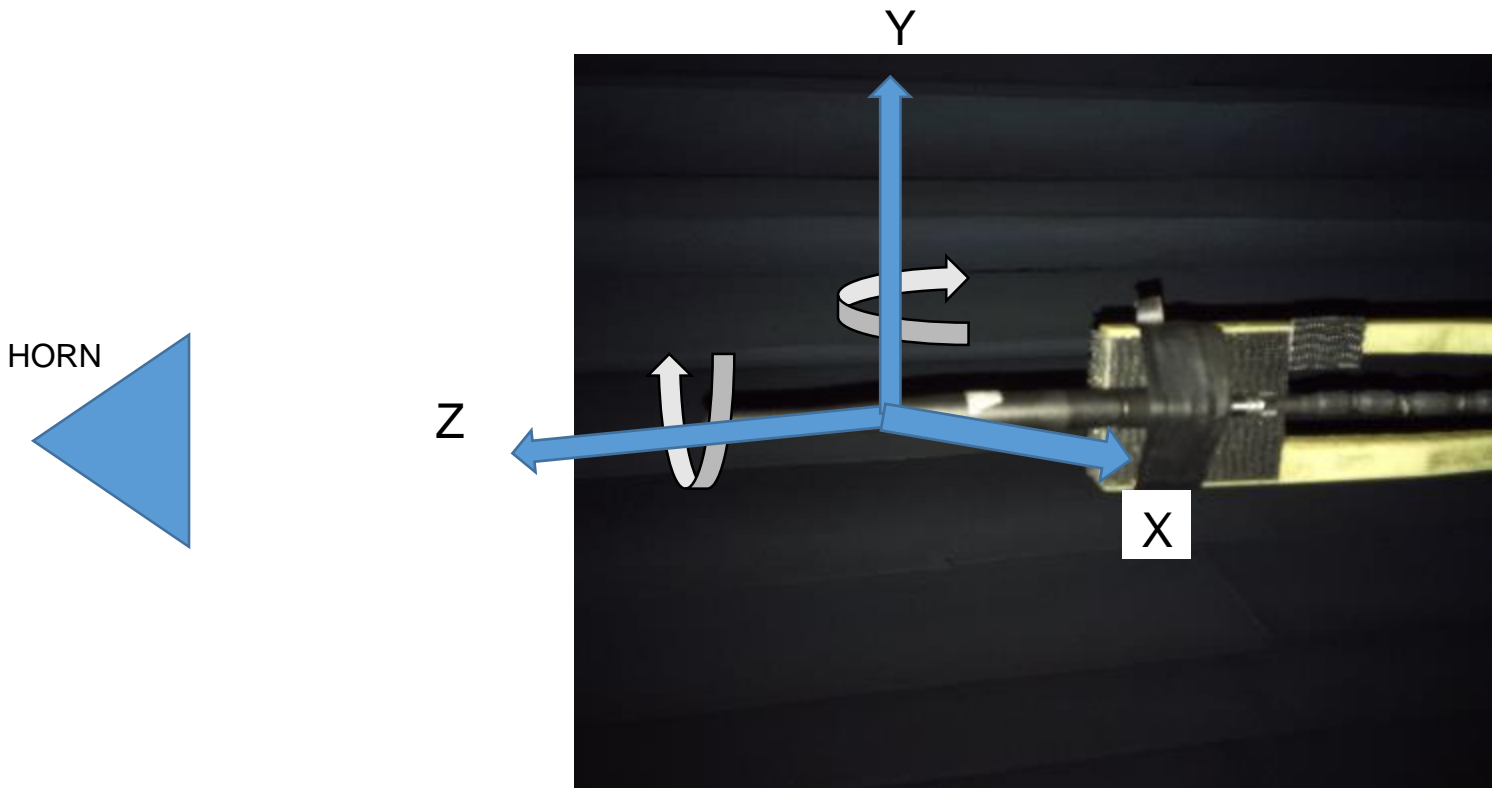
Description: Outdoor, dual WiFi, swivel, IP67,
with RP-SMA

Series: Stick Antenna

PART NUMBER: W5098

CHARTS

Chamber set up



Issue: 1619

In the effort to improve our products, we reserve the right to make changes judged to be necessary.

CONFIDENTIAL AND PROPRIETARY INFORMATION

This document contains confidential and proprietary information of Pulse Electronics, Inc. (Pulse) and is protected by copyright, trade secret and other state and federal laws. Its receipt or possession does not convey any rights to reproduce, disclose its contents, or to manufacture, use or sell anything it may describe. Reproduction, disclosure or use without specific written authorization of Pulse is strictly forbidden.

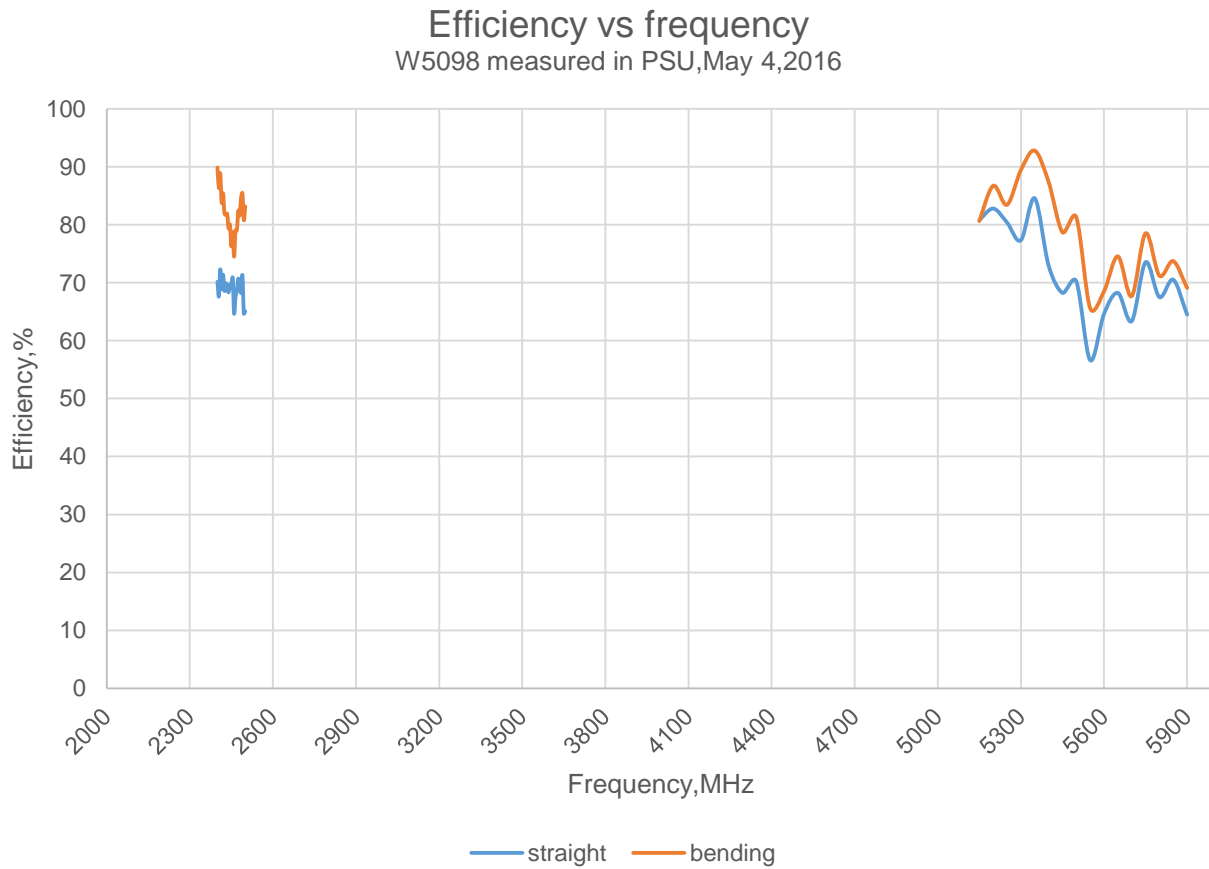
Description: Outdoor, dual WiFi, swivel, IP67, with RP-SMA

Series: Stick Antenna

PART NUMBER: W5098

CHARTS

Efficiency measured in free space



Issue: 1619

In the effort to improve our products, we reserve the right to make changes judged to be necessary.

CONFIDENTIAL AND PROPRIETARY INFORMATION

This document contains confidential and proprietary information of Pulse Electronics, Inc. (Pulse) and is protected by copyright, trade secret and other state and federal laws. Its receipt or possession does not convey any rights to reproduce, disclose its contents, or to manufacture, use or sell anything it may describe. Reproduction, disclosure or use without specific written authorization of Pulse is strictly forbidden.

Description: Outdoor, dual WiFi, swivel, IP67, with RP-SMA

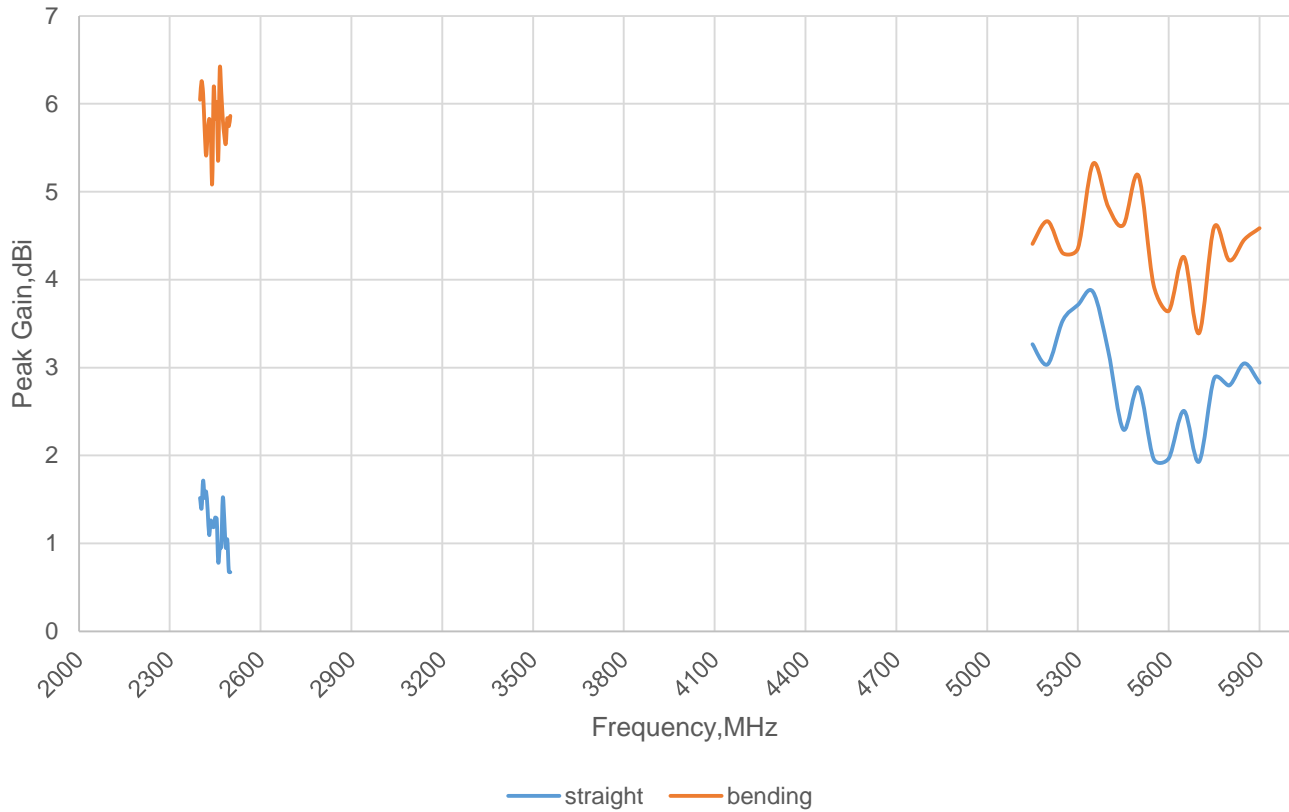
Series: Stick Antenna

PART NUMBER: W5098

CHARTS

Peak Gain measured in free space

Peak Gain vs frequency
W5098 measured in PSU, May 4, 2016



Issue: 1619

In the effort to improve our products, we reserve the right to make changes judged to be necessary.

CONFIDENTIAL AND PROPRIETARY INFORMATION

This document contains confidential and proprietary information of Pulse Electronics, Inc. (Pulse) and is protected by copyright, trade secret and other state and federal laws. Its receipt or possession does not convey any rights to reproduce, disclose its contents, or to manufacture, use or sell anything it may describe. Reproduction, disclosure or use without specific written authorization of Pulse is strictly forbidden.

Description: Outdoor, dual WiFi, swivel, IP67, with RP-SMA

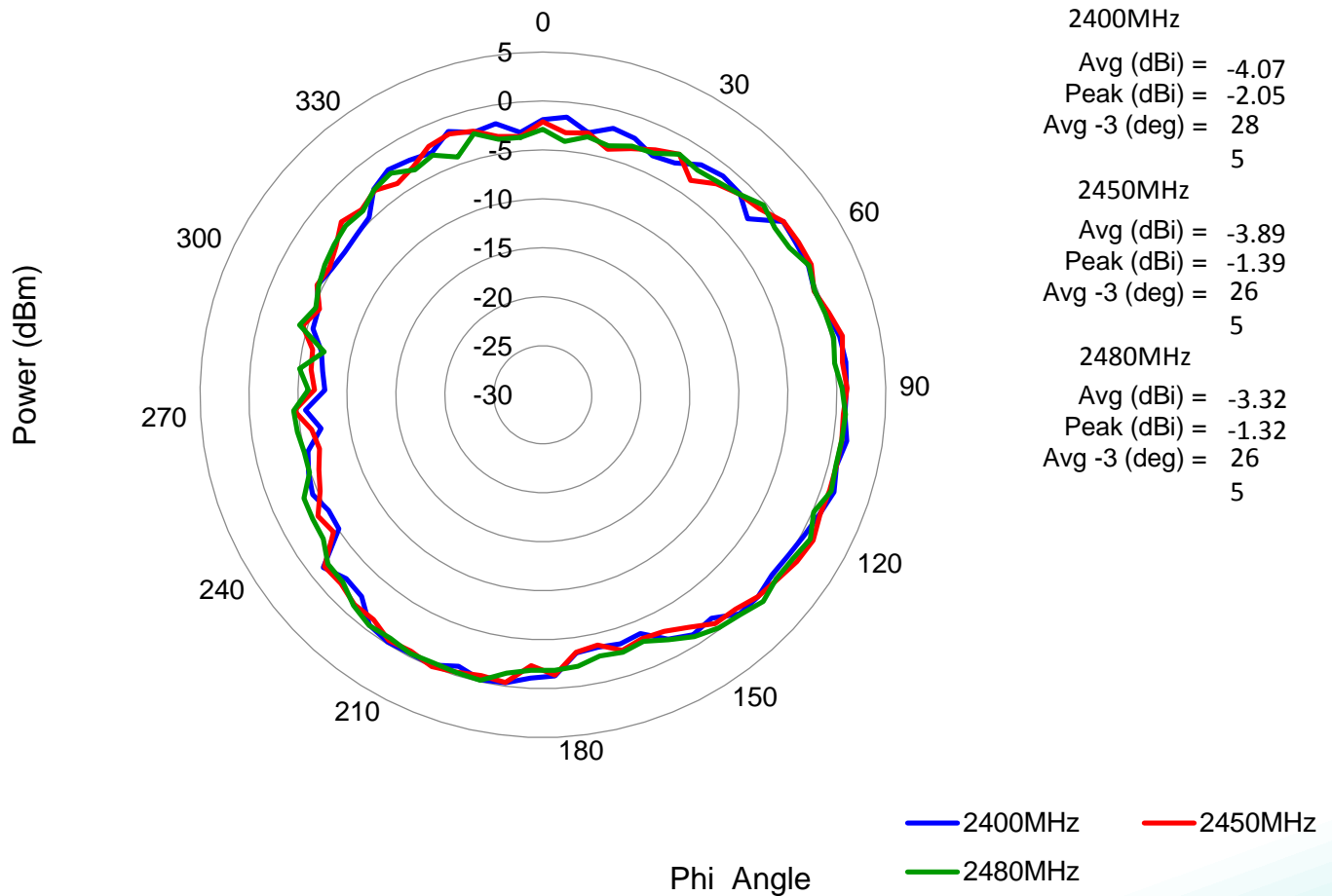
Series: Stick Antenna

PART NUMBER: W5098

CHARTS

Gain plots

XY Plane



Issue: 1619

In the effort to improve our products, we reserve the right to make changes judged to be necessary.

CONFIDENTIAL AND PROPRIETARY INFORMATION

This document contains confidential and proprietary information of Pulse Electronics, Inc. (Pulse) and is protected by copyright, trade secret and other state and federal laws. Its receipt or possession does not convey any rights to reproduce, disclose its contents, or to manufacture, use or sell anything it may describe. Reproduction, disclosure or use without specific written authorization of Pulse is strictly forbidden.

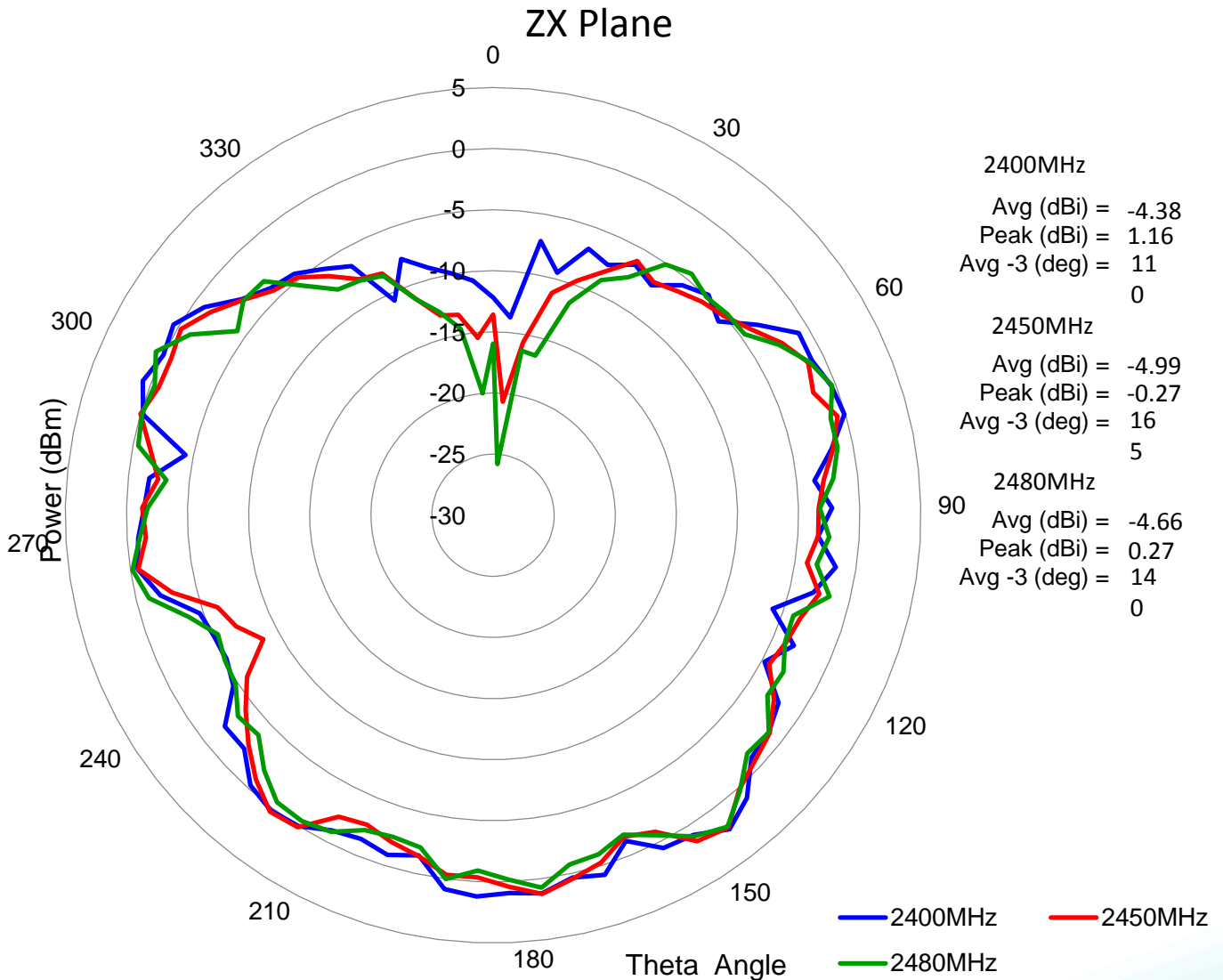
Description: Outdoor, dual WiFi, swivel, IP67, with RP-SMA

Series: Stick Antenna

PART NUMBER: W5098

CHARTS

Gain plots



Issue: 1619

In the effort to improve our products, we reserve the right to make changes judged to be necessary.
CONFIDENTIAL AND PROPRIETARY INFORMATION

This document contains confidential and proprietary information of Pulse Electronics, Inc. (Pulse) and is protected by copyright, trade secret and other state and federal laws. Its receipt or possession does not convey any rights to reproduce, disclose its contents, or to manufacture, use or sell anything it may describe. Reproduction, disclosure or use without specific written authorization of Pulse is strictly forbidden.

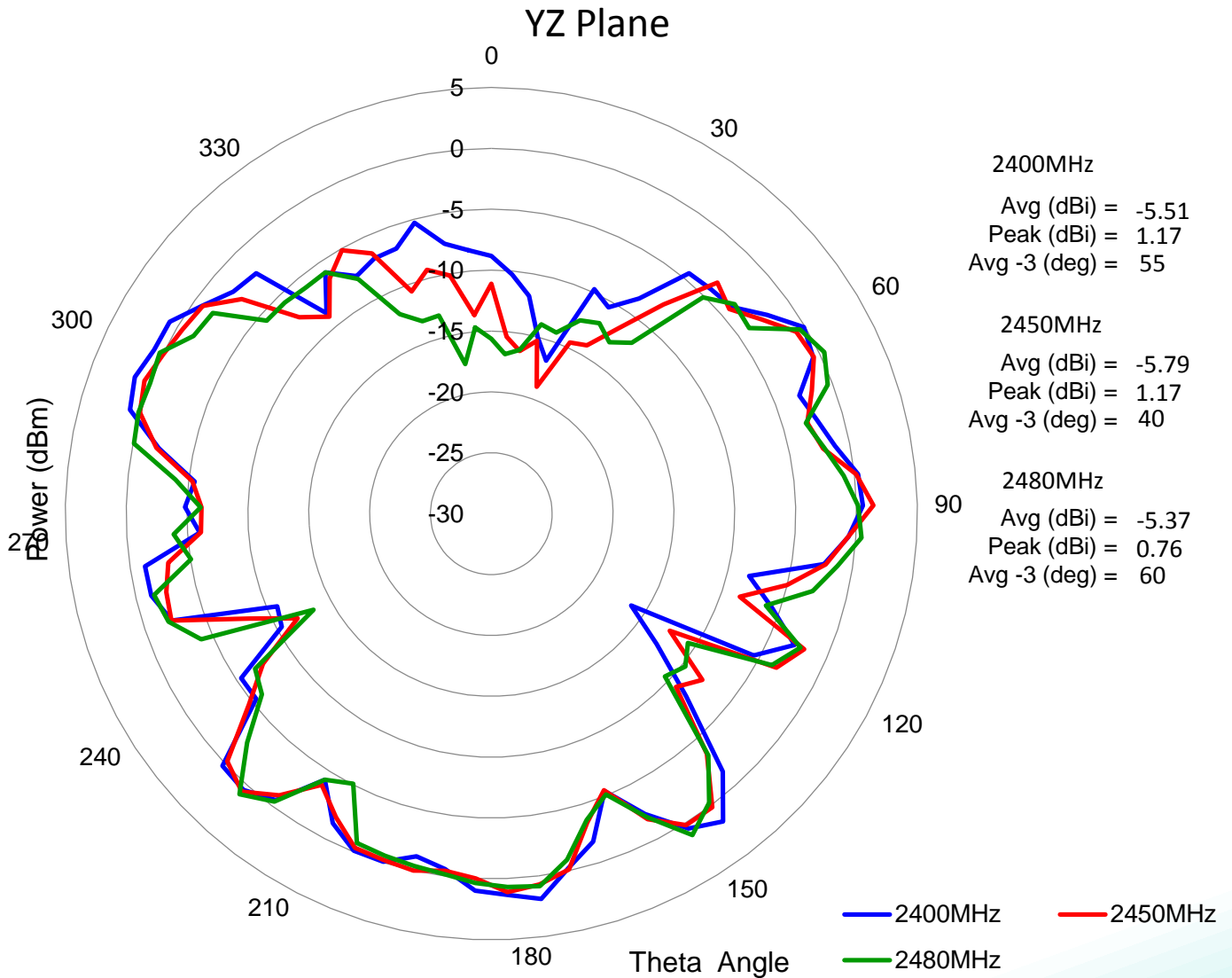
Description: Outdoor, dual WiFi, swivel, IP67, with RP-SMA

Series: Stick Antenna

PART NUMBER: W5098

CHARTS

Gain plots



Issue: 1619

In the effort to improve our products, we reserve the right to make changes judged to be necessary.

CONFIDENTIAL AND PROPRIETARY INFORMATION

This document contains confidential and proprietary information of Pulse Electronics, Inc. (Pulse) and is protected by copyright, trade secret and other state and federal laws. Its receipt or possession does not convey any rights to reproduce, disclose its contents, or to manufacture, use or sell anything it may describe. Reproduction, disclosure or use without specific written authorization of Pulse is strictly forbidden.

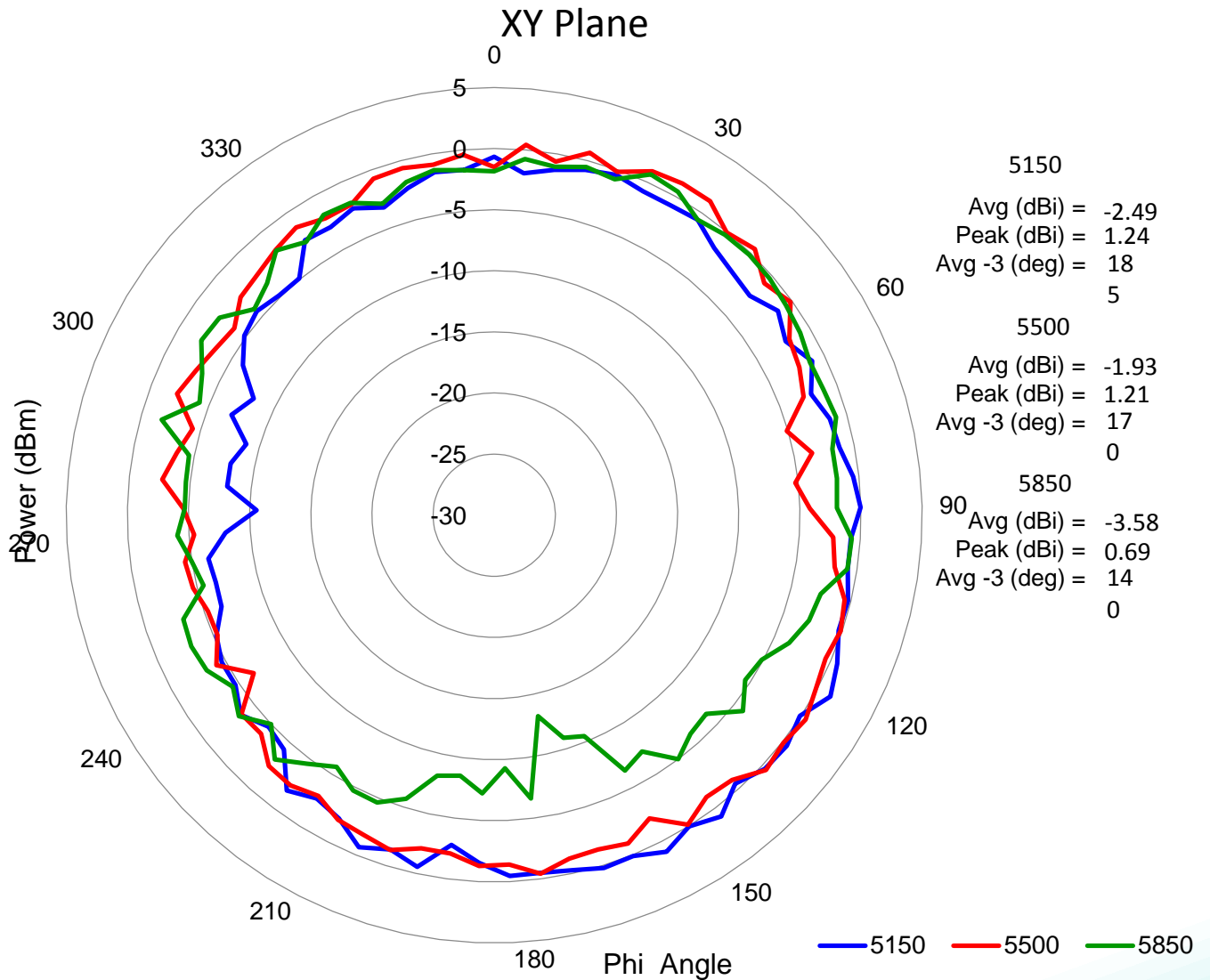
Description: Outdoor, dual WiFi, swivel, IP67, with RP-SMA

Series: Stick Antenna

PART NUMBER: W5098

CHARTS

Gain plots



Issue: 1619

In the effort to improve our products, we reserve the right to make changes judged to be necessary.

CONFIDENTIAL AND PROPRIETARY INFORMATION

This document contains confidential and proprietary information of Pulse Electronics, Inc. (Pulse) and is protected by copyright, trade secret and other state and federal laws. Its receipt or possession does not convey any rights to reproduce, disclose its contents, or to manufacture, use or sell anything it may describe. Reproduction, disclosure or use without specific written authorization of Pulse is strictly forbidden.

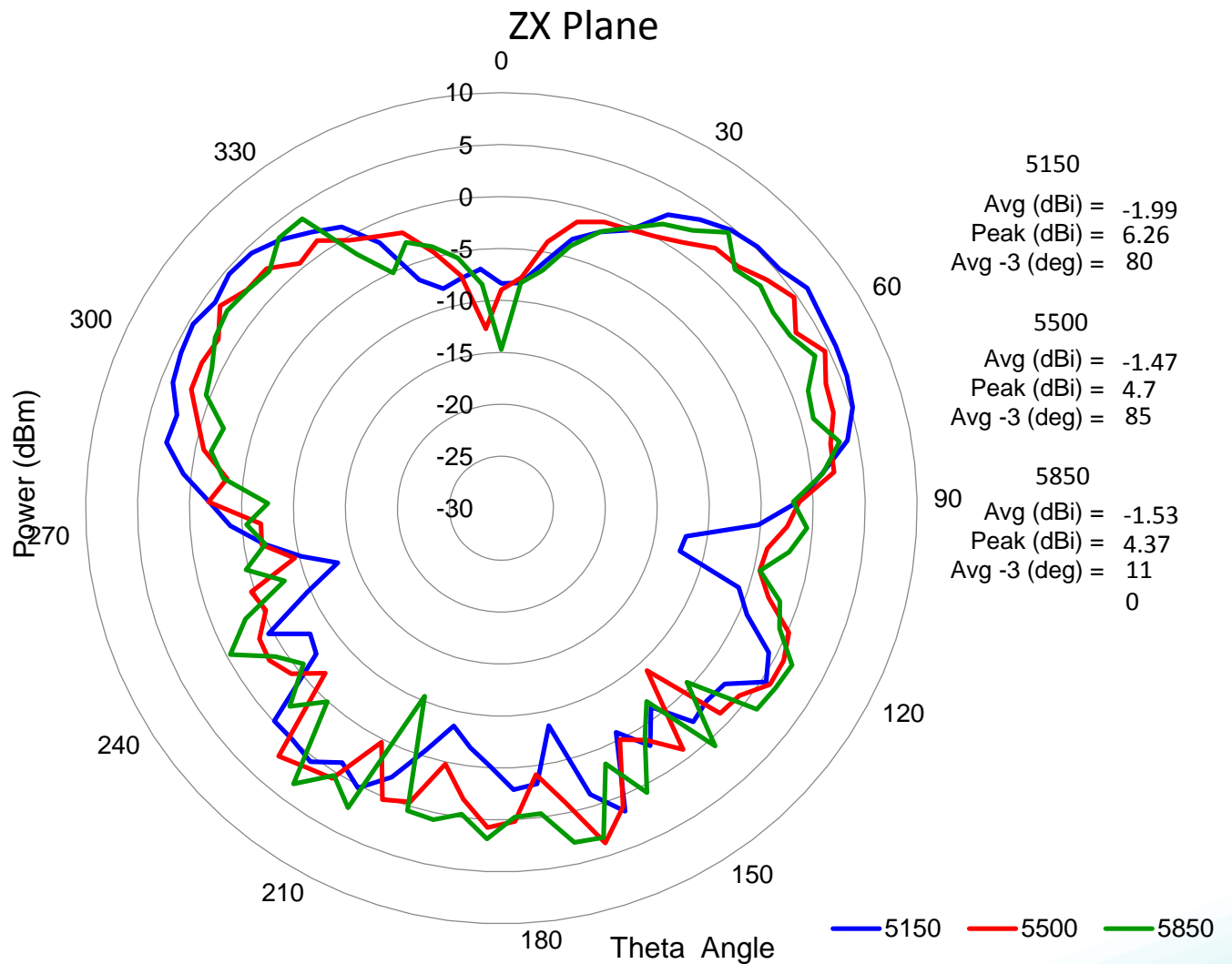
Description: Outdoor, dual WiFi, swivel, IP67, with RP-SMA

Series: Stick Antenna

PART NUMBER: W5098

CHARTS

Gain plots



Issue: 1619

In the effort to improve our products, we reserve the right to make changes judged to be necessary.

CONFIDENTIAL AND PROPRIETARY INFORMATION

This document contains confidential and proprietary information of Pulse Electronics, Inc. (Pulse) and is protected by copyright, trade secret and other state and federal laws. Its receipt or possession does not convey any rights to reproduce, disclose its contents, or to manufacture, use or sell anything it may describe. Reproduction, disclosure or use without specific written authorization of Pulse is strictly forbidden.

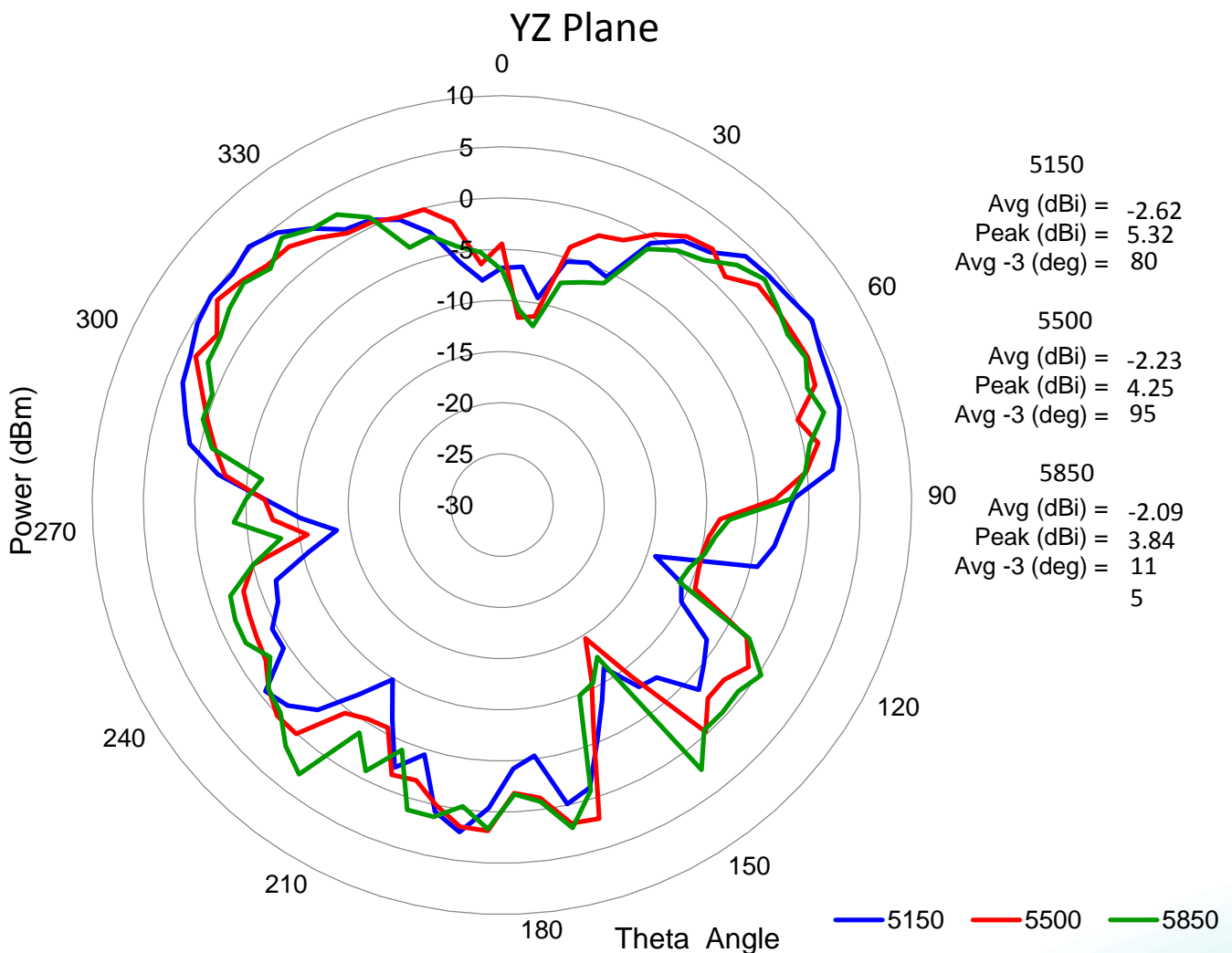
Description: Outdoor, dual WiFi, swivel, IP67, with RP-SMA

Series: Stick Antenna

PART NUMBER: W5098

CHARTS

Gain plots



Issue: 1619

In the effort to improve our products, we reserve the right to make changes judged to be necessary.

CONFIDENTIAL AND PROPRIETARY INFORMATION

This document contains confidential and proprietary information of Pulse Electronics, Inc. (Pulse) and is protected by copyright, trade secret and other state and federal laws. Its receipt or possession does not convey any rights to reproduce, disclose its contents, or to manufacture, use or sell anything it may describe. Reproduction, disclosure or use without specific written authorization of Pulse is strictly forbidden.

Description: Outdoor, dual WiFi, swivel, IP67,
with RP-SMA

Series: Stick Antenna

PART NUMBER: W5098

PACKAGING

10PCS/Bullet PE bag
500PCS/Carton Box

Issue: 1619

In the effort to improve our products, we reserve the right to make changes judged to be necessary.

CONFIDENTIAL AND PROPRIETARY INFORMATION

This document contains confidential and proprietary information of Pulse Electronics, Inc. (Pulse) and is protected by copyright, trade secret and other state and federal laws. Its receipt or possession does not convey any rights to reproduce, disclose its contents, or to manufacture, use or sell anything it may describe. Reproduction, disclosure or use without specific written authorization of Pulse is strictly forbidden.