

**Ordering Table — Washable Toggle Switches**

Designed to be wave soldered along with other Printed Circuit Board Components and withstand associated cleaning processes.

**HOW TO ORDER YOUR DESIGN** (Bold Face Type indicates items normally in Distributor Stock)

Following the table from left to right, the designer is able to specify the options wanted. The options are described and illustrated on the following pages.

To determine a part number select the options desired and fill in the boxes in the selection guides illustrated below.

**WashableToggle Switch Selection Guide**

Toggle Series		Poles and Throw		Circuit				Lever Options		Lever Finish	Bushing Options		Terminal Type		Contact Material												
Type	Code	No.	Code	Keyway			Code	Type	Code	Finish	Code	Type	Code	Type	Code	Type	Code										
Toggle	WT	SPDT	1	ON	OFF	ON	21	.940 BAT.	L0	Bright Chrome	1	.250 Smooth	D1	Right Angle PC	A	Gold/Brass	B										
								DPDT	2	ON	NONE	ON	23	.740 BAT.	L1	Black ③	3	.280 Smooth	D9 ②	Vertical PC .150 Spacing	AV2	Gold/Silver	G				
														ON	NONE	ON*	26	.650 BAT.	L2	Black Nylon ④	4	.350 ⑤	Y ⑦	PC Terminals	C	Coin/Silver	Q
														ON*	NONE	ON*	27	Long Mod Cap	L3	Red Nylon ④	5	Threaded					
														ON*	OFF	ON*	27	Short Mod Cap	L4	White Nylon ④	6	.350 ⑤	Y9	.750 Wire Wrap	W	⑧	L
														ON	OFF	ON*	31	.510 BAT.	S								
		ON	ON	ON	32 ①	.300 BAT.	M											.425 Wire Wrap	W3								
		ON	ON	ON*	33 ①							1.062 Wire Wrap	W4														
		ON*	ON	ON*	35 ①													Solder Lug	Z								

\*Momentary Contact

- ① 2 Pole Only.
- ② Subtract .030 from lever length when using this bushing.
- ③ Available on S and M lever options only.
- ④ Available only with L3 and L4 lever options only.

- ⑤ Subtract .100 from lever length when using these bushings.
- ⑥ Refer to page 59 for construction detail, wiring and electrical diagrams.
- ⑦ Not available on A, AV2, V30 terminal options.
- ⑧ Same as B, G and Q respectively except terminals brass with tin nickel alloy over nickel plate. Consult plant for availability.

**EXAMPLES:**

- WT123M1D9AB** = SPDT toggle switch with an ON-NONE-ON circuit, .270" long lever (see note 2 above) with a bright chrome finish, .280" smooth bushing right angle P.C. terminals with gold/brass contacts.
- WT232S1D1V30G** = DPDT toggle switch with an ON-ON-ON circuit, .510" long lever with a bright chrome finish, .250" smooth bushing, P.C. terminals with support bracket and gold/silver contacts.

**SPECIFICATIONS:**

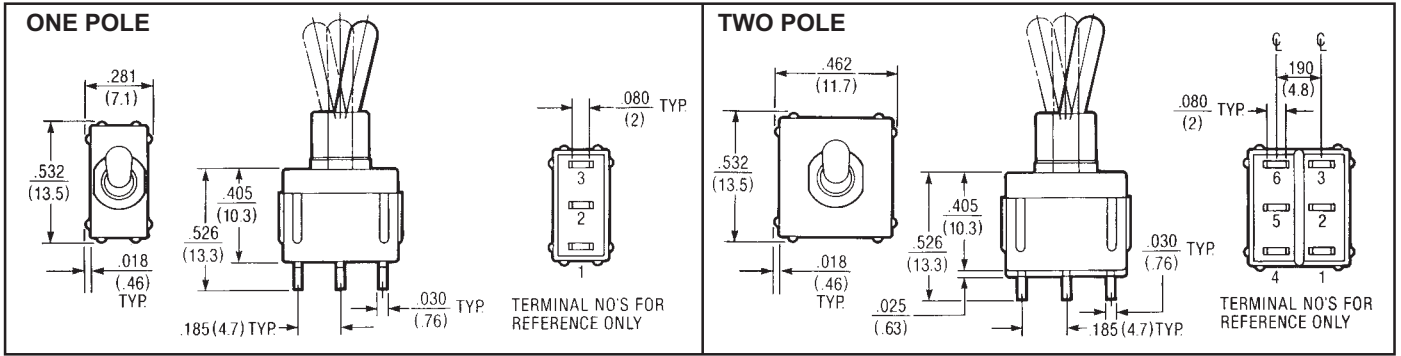
- Contact Ratings** — Letter codes G and Q — 6 amp at 125 VAC, 3 amp @ 250 VAC (U.L. recognized, CSA certified) or 6 amp at 28 VDC resistive. Letter codes B and G — 0.5 volt amp (VA) maximum @ 28 V maximum (AC or DC).
- Life Under Load** — 60,000 make-and-break cycles — resistive load only.
- Initial Contact Resistance** — 10 milliohms maximum 3 VDC, 100 ma for both silver and gold plated contacts.
- Insulation Resistance** — 1,000 megohms, min.
- Dielectric Strength** — 1,000 volts rms at sea level.
- Operating Temperature** — -30 degrees C to 85 degrees C.

**MATERIALS:**

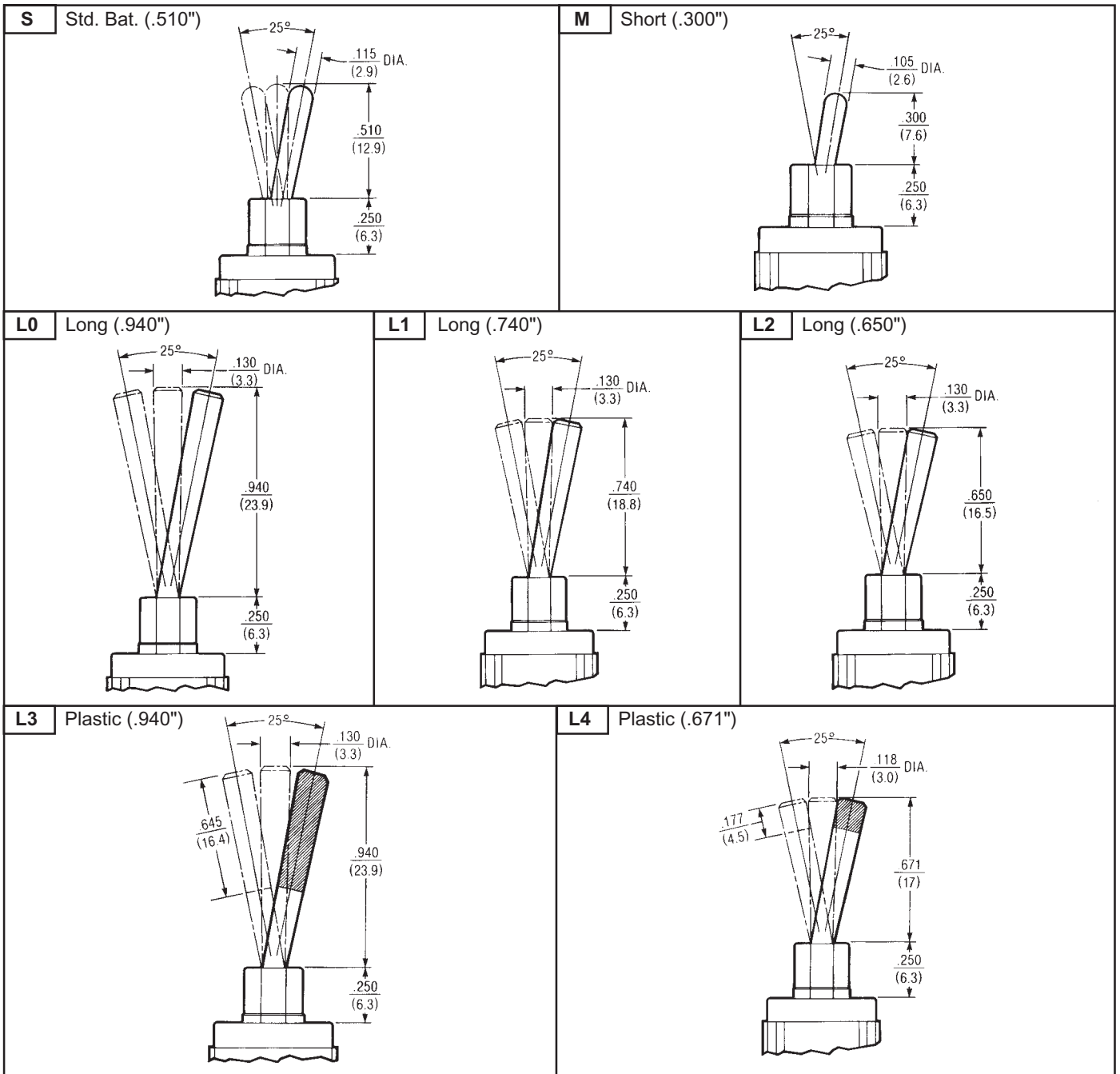
- Base & Bushing** — Thermoplastic high temperature (UL 94V-O).
- Lever (toggle)** — Brass, chrome plated.
- Support brackets** — Brass or steel tin plated.
- Switching Contacts and Rockers** — Letter Code B — gold/nickel/brass  
Letter Code G — gold/nickel/silver  
Letter Code Q — Coin silver
- Center Terminal**  
Letter Codes B and G — Gold flash/nickel/brass  
Letter Code Q — Silver plated brass.
- Hardware** — See pages 55-57.

**Washable Toggle Switches — Base Dimensions and Lever Options**

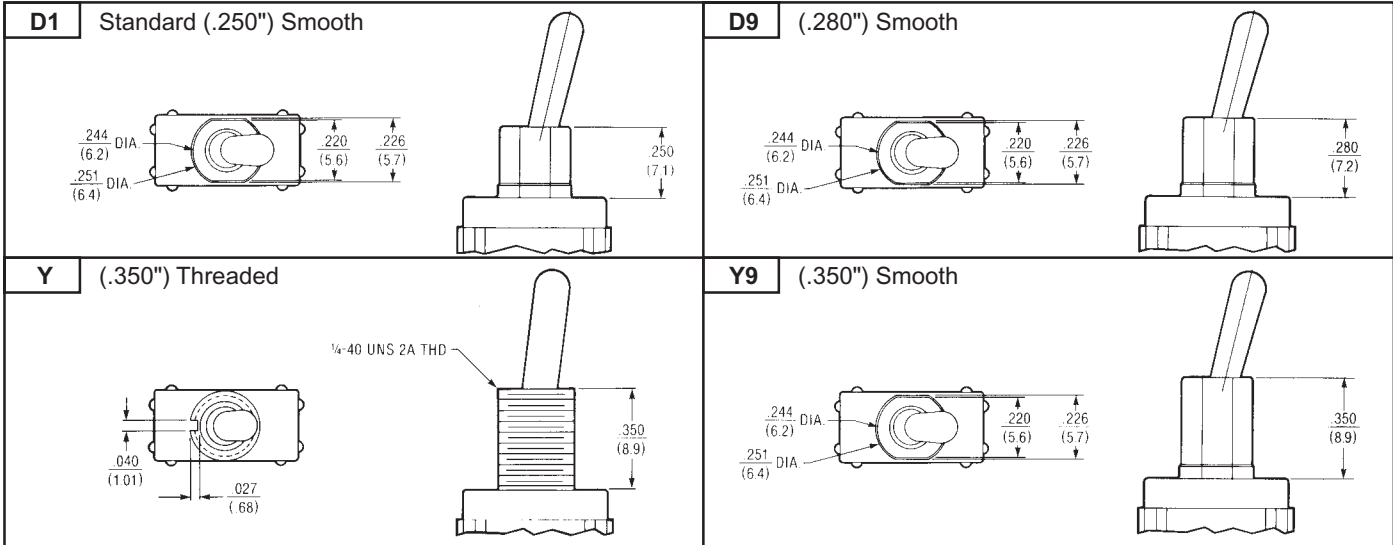
**APPROXIMATE BASE DIMENSIONS**



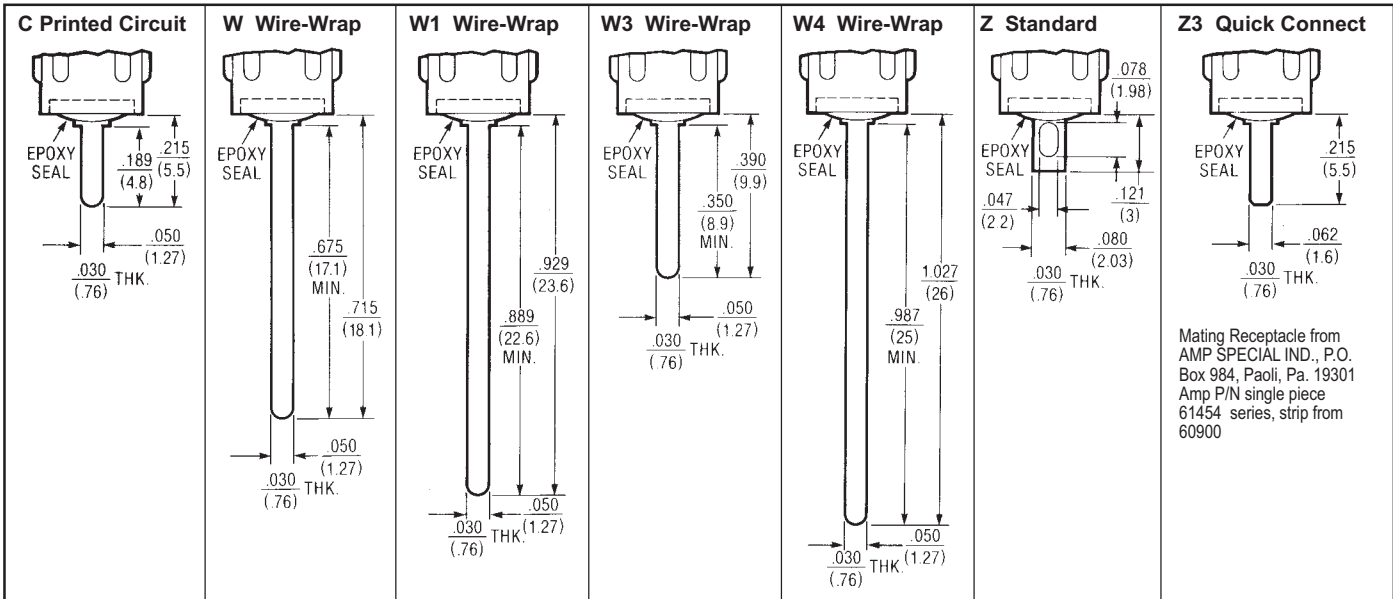
**TOGGLE LEVER OPTIONS**



**BUSHING OPTIONS**

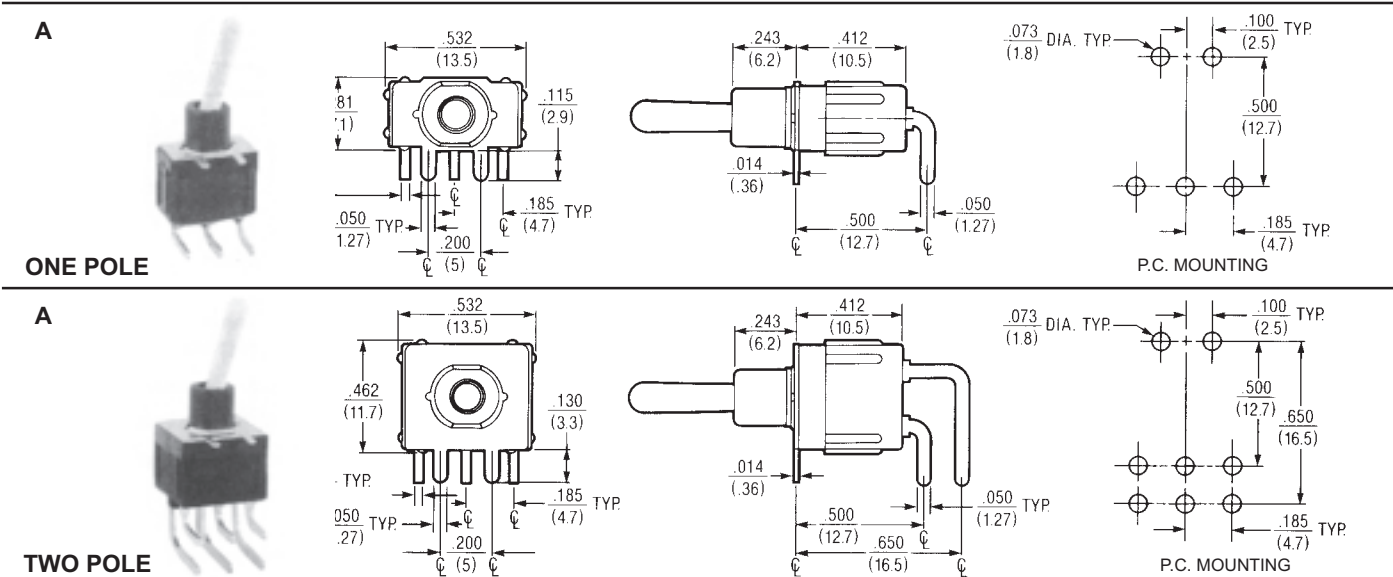


**TERMINATION OPTIONS**



NOTE: Wire-Wrap is a registered trademark of the Gardner-Denver Company.

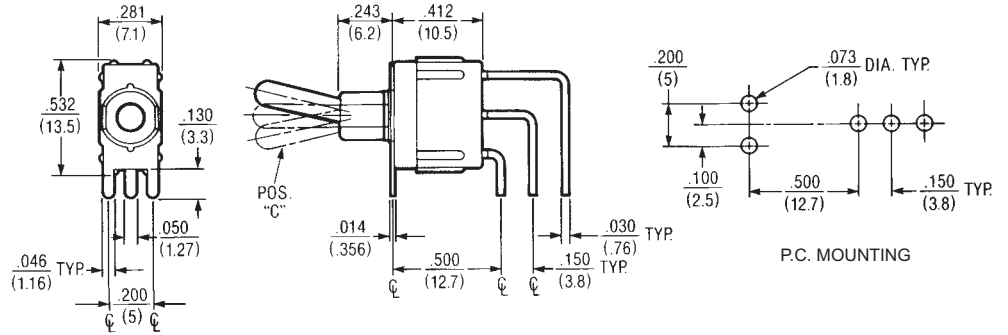
**TERMINATION & MOUNTING OPTIONS**



**TERMINATION & MOUNTING OPTIONS — Contd.**

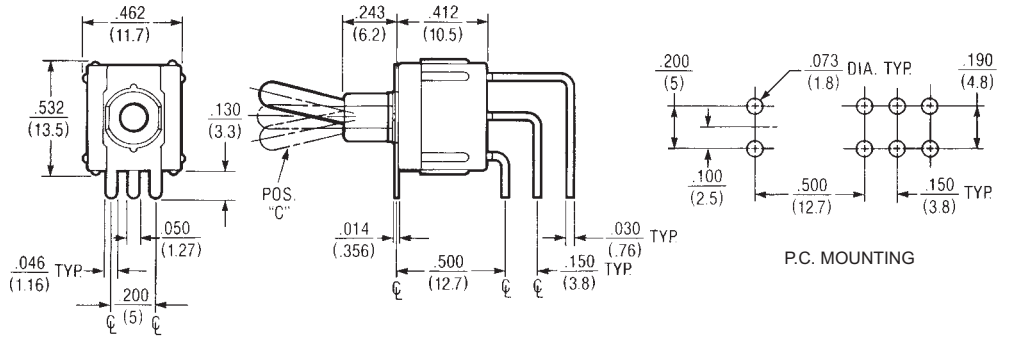
**AV2**

**ONE POLE**



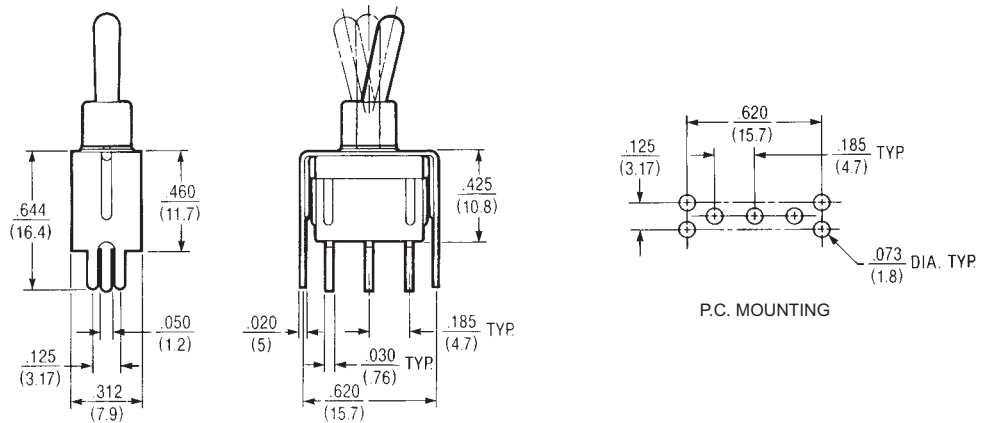
**AV2**

**TWO POLE**



**V30**

**ONE POLE**



**V30**

**TWO POLE**

