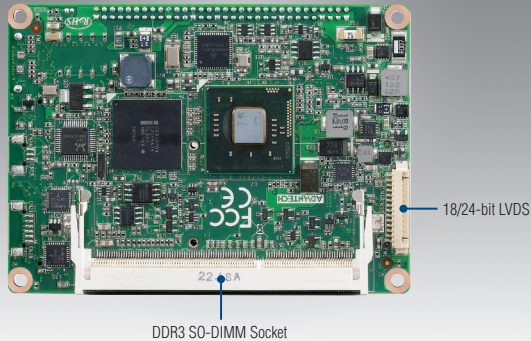


MIO-2262

Intel® Atom™ N2600/ N2800 Pico-ITX SBC, DDR3, 18/24-bit LVDS, VGA, 1 GbE, Full-size Mini PCIe, 4 USB, 2 COM, SMBus, I²C, mSATA & MIOe

NEW



Features

- Embedded Intel® Atom™ Dual-Core processor N2600/ N2800 + Intel NM10, 1 x DDR3 memory support up to 4 GB
- DirectX 9, Dual Independent display: 18/24-bit LVDS + VGA
- Flexible design using integrated multiple I/O: MIOe to approach vertical applications & keep domain knowhow
- Intel GbE support, Rich I/O interface with 2 COM, 1 SATA, 4 USB 2.0, GPIO, SMBus, I²C, and MIOe expansion interface
- Supports SUSIAccess and Embedded Software APIs

Software APIs:



Utilities:

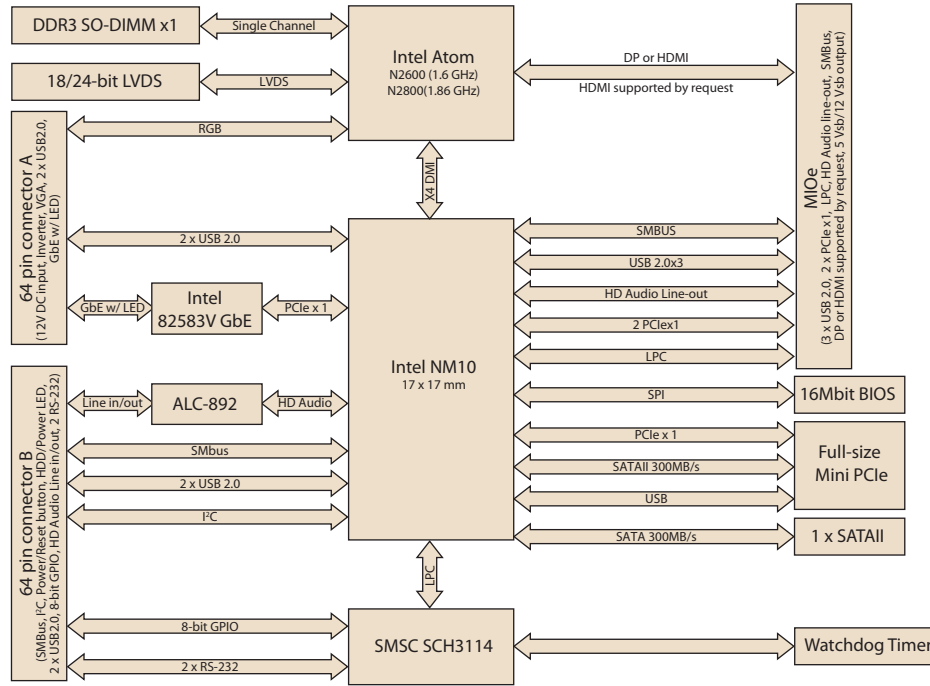


Specifications

Processor System	CPU	Intel Atom Dual-Core N2600 1.6 GHz/ N2800 1.86 GHz
	Frequency	Dual Core 1.6 GHz/ 1.86 GHz
	L2 Cache	1 MB
	System Chipset	Intel Atom N2600/ N2800 + Intel NM10
	BIOS	AMI EFI 16 Mbit
Memory	Technology	DDR3 800 MHz (N2600), DDR3 1066 MHz (N2800)
	Max. Capacity	4 GB
	Socket	1 x 204-pin SODIMM
Display	Chipset	Integrated Intel GMA 3600 Series
	Graphic Engine	DirectX 9 and OpenGL3.0 support HW Accelerated Decode: MPEG2, H.264, VC-1
	LVDS	18/24-bit LVDS1: up to 1366 x 768
	VGA	Up to 1920 x 1200
Ethernet	Speed	10/100/1000Mbps
	Controller	Intel 82583V
Audio	Chipset	Realtek ALC892, High Definition Audio (HD), Line-in, Line out
WatchDog Timer		Output System reset, Programmable counter from 1 ~ 255 minutes/ seconds
Storage	mSATA*	1 (Supports mSATA or USB interface module or full size miniPCIe, selected by BIOS, default is mSATA)
	SATA	1, up to 3Gb/s (300MB/s)
Expansion	Mini PCI Express	1 x Full-size
	MIOe	SMBus, 3 x USB2.0, LPC, 2 x PCIe x1, line out, DisplayPort/HDMI*, +5 Vsb/+12 Vsb power, Power On, Reset
	64-pin connector A	12V DC input, Inverter, VGA, 2 x USB2.0, 1GbE w/ LED
	64-pin connector B	SMBus, I ² C, Power/Reset button, HDD/Power LED, 2 x USB2.0, 8-bit GPIO, HD Audio Line in/out, 2 x RS-232
Power	Power Type	Single 12V DC power input
	Power Supply Voltage	Supports single 12V input, ± 10%
	Total peripheral power supply output	5V @ 3A for CPU board and MIOe module totally, 12V @ 2A for MIOe module
	Power Consumption (Typical)	N2600: 0.43 A @ 12 V (5.24 W) N2800: 0.51 A @ 12 V (6.12 W)
	Power Consumption (Max, test in HCT)	N2600: 0.67 A @ 12 V (8.05 W) N2800: 0.82 A @ 12 V (9.8 W)
	Power Management	ACPI
Environment	Battery	3 V / 210 mAH
	Operation	0 ~ 60° C (32 ~ 140° F) (Operational humidity: 40° C @ 95% RH Non-Condensing)
Physical Characteristics	Non-Operation	-40° C ~ 85° C and 60° C @ 95% RH non-condensing
	Dimensions (L x W)	100 x 72 mm (3.9" x 2.8")
	Weight	0.37 kg (0.82 lb), weight of total package
	Total Height	Top Side: 15.7 mm (including heatsink); Bottom Side: 8.4 mm; PCB: 1.6 mm

* The specification is supported by request

Block Diagram



Ordering Information

Part No.	CPU	L2 Cache	Memory	LVDS	VGA	GbE	HD Audio	USB2.0	RS-232	SATAII	Mini PCIe*	MIOe	Thermal Solution	Operational Temp.
MIO-2262N-S6A1E	Intel Atom N2600 1.6G	1MB	SO-DIMM	18/24-bit	Yes	1	Yes	4	2	1	Full-size	Yes	Passive	0 – 60° C
MIO-2262N-S8A1E	Intel Atom N2800 1.86G	1MB	SO-DIMM	18/24-bit	Yes	1	Yes	4	2	1	Full-size	Yes	Passive	0 – 60° C
MIO-2262Z-2GS6A1E	Intel Atom N2600 1.6G	1MB	2GB bundle	18/24-bit	Yes	1	Yes	4	2	1	Full-size	Yes	Passive	-20 – 80° C
MIO-2262Z-2GS8A1E	Intel Atom N2800 1.86G	1MB	2GB bundle	18/24-bit	Yes	1	Yes	4	2	1	Full-size	Yes	Passive	-48 – 85° C

* Full-size Mini PCIe supports mSATA
 Note: Passive = fanless; Active = with fan

Packing List

Part No.	Description	Quantity
	MIO-2262 SBC	1
	Startup Manual	1
1700006291	M Cable SATA 7P/SATA 7P 30cm C=R 180/90	1
9666226200E	Screw and stud pack (2 screw for Mini PCIe, 4 M3 studs and screws for heatsink)	1
1960055792T001	Heatsink (99.5 x 70.5 x 15.7 mm)	1

Optional Accessories

Part No.	Description
1960055791T001	MIO-2261 Heat spreader (99.5 x 70.5 x 15.7mm)
MIOE-DB2000-00A1E	MIO-2262 Evaluation Board

Embedded OS/API

Embedded OS/API	Part Number	Description
WinCE 7.0	2070012214	WEC7 V1.0 ENG
Windows Embedded Standard		WES 2009 (graphic driver support by case)
Windows Embedded Standard 7	2070011558	WES7E MIO-2261 V5.1.4 EN/DE/JP/TC
	2070011559	WES7P MIO-2261 V5.1.3 EN/TC/SC/RU/FR/DE/ES/IT/JP/KR
VxWorks		6.9.2
Linux		Ubuntu 12.04 (graphic driver support by case)
Software API		SUSI V3.0

Bottom side view

