

4

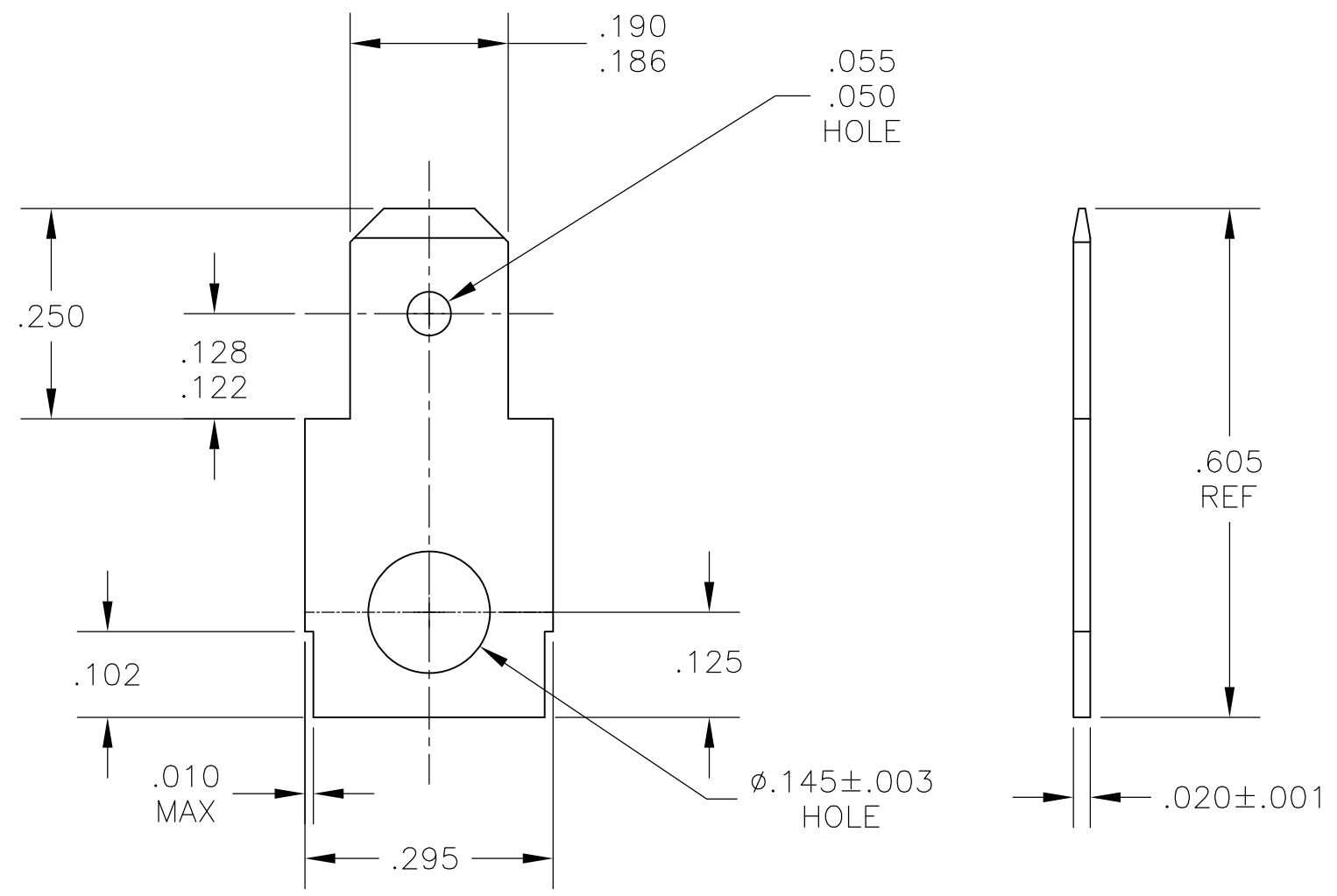
3

2

1


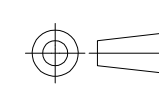
THIS DRAWING IS UNPUBLISHED.      RELEASED FOR PUBLICATION  
 © COPYRIGHT - By -      ALL RIGHTS RESERVED.

LOC		DIST		REVISIONS			
P	LTR	DESCRIPTION		DATE	DWN	APVD	
	C	REVISED PER ECR-13-011489		11DEC2013	KH	PD	



1 SUPPLIED IN LOOSE PIECE.

1742041-1  
 PART  
 NUMBER

THIS DRAWING IS A CONTROLLED DOCUMENT.		DWN	jr_ruth	23DEC2003	 TE Connectivity		
DIMENSIONS: INCHES		CHK	KRISTY YI	23DEC03			
		TOLERANCES UNLESS OTHERWISE SPECIFIED:		APVD	KRISTY YI	23DEC03	TAB, FASTON, .187 SERIES
MATERIAL		FINISH		PRODUCT SPEC		APPLICATION SPEC	
BRASS		TIN		-		-	
		WEIGHT		-		RESTRICTED TO	
		CUSTOMER DRAWING		SIZE	A3	CAGE CODE	00779
				DRAWING NO	C-1742041		SCALE
						5:1	SHEET
						1 OF 1	REV
						C	