



2.99"W x 5.75"L x 1.69"H

- Universal 90-264VAC Input
- UL/cUL60601-1, EN60601-1
- Regulated Single Outputs
- 4000V Isolation
- IEC320-C14 Input
- LPS Efficiency Level V (9-36 Vout)



<u>Model Number</u>	<u>Output Voltage</u>	<u>Output Amps</u>	<u>Regulation</u>	<u>Max. Output Watts</u>	<u>Output Connector</u>
SINGLE OUTPUT					
AMP6301-02	5	9	7%	45W	DIN
AMP6301-03	7	7.85	7%	55W	DIN
AMP6301-04	9	6.44	5%	58W	DIN
AMP6301-05	12	5.25	5%	63W	DIN
AMP6301-06	15	4.2	5%	63W	DIN
AMP6301-07	18	3.5	5%	63W	DIN
AMP6301-08	24	2.62	3%	63W	DIN
AMP6301-09	30	2.1	3%	63W	DIN
AMP6301-10	36	1.75	3%	63W	DIN

INPUT SPECIFICATIONS

Input Voltage Range	90-264 VAC
Frequency Range	47-63 Hz
Leakage Current	0.1mA typ. @ 240VAC
Input Current Lowline	1.62A
Input Current Highline	0.72A
Inrush Current Lowline	15A max.
Inrush Current Highline	30A max.
Power Consumption @ No Load	(Approved to CEC level IV)
12-36 Vout:	0.5W, max.

OUTPUT SPECIFICATIONS

Voltage and Current	See Selection Charts
Load Regulation	See Selection Charts
Line Regulation	± 0.5%, typ (1% Max.)
Ripple/Noise	0.5% Pk-Pk, typ (1% Max.)
Hold Up Time	16mS min. at 110VAC Input
Start Up Time	1S typ. (2S max.)
Over Voltage Protection	112-132%
Over Current Protection	110-150%
Transient Response (FL-1/2L)	4mS
Temperature Coefficient	±0.04%/°C, typ.

GENERAL SPECIFICATIONS

Isolation	I/P-O/P: 5600VDC I/P-GND: 2800VDC
Isolation Resistance	50MΩ
Efficiency	85% typ.
Safety	UL60601-1, EN60601-1

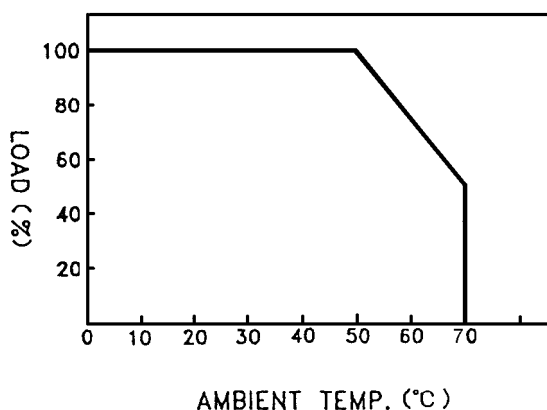
PHYSICAL SPECIFICATIONS

Size	5.75"L x 2.99"W x 1.69"H
Construction	Desktop Style
Weight	19.75oz (560g)

ENVIRONMENTAL SPECIFICATIONS

Oper. Temperature	0 to +70°C
	See Derate Curve
Storage Temperature	-40 to +85°C *
Relative Humidity	5 to + 95%, non-cond *
MTBF: MIL-HDBK-217F	100,000 Hrs.
EMI	220VAC in: CISPR-11B 110VAC in: FCC-18B
Efficiency Level	V (9-36 Vout only)

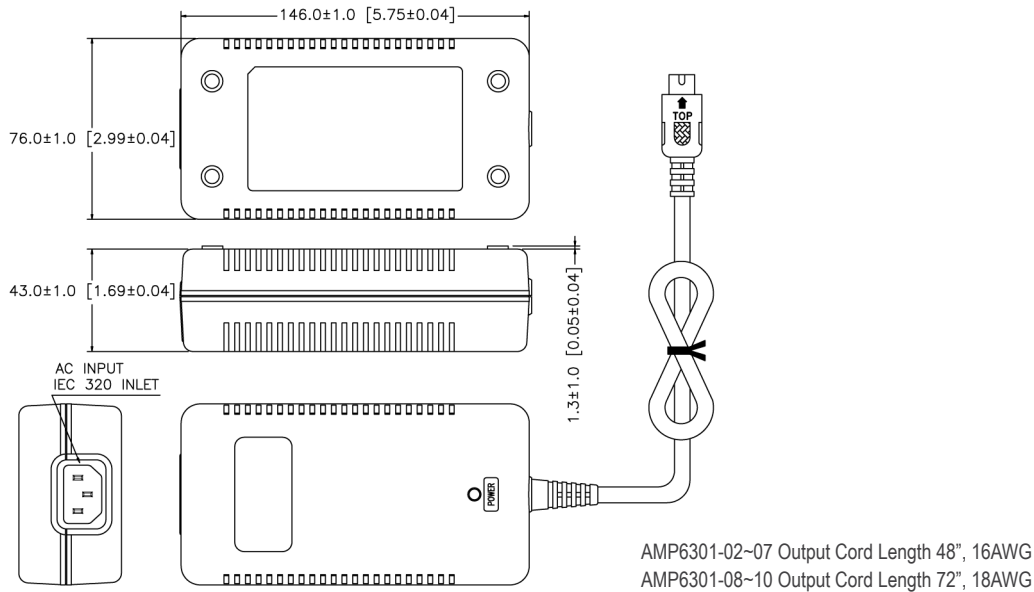
OUTPUT DERATING CURVE



All specifications are typical at nominal input, full load, and 25°C unless otherwise noted

* These are stress ratings. Exposure of the devices to any of these conditions may adversely affect long term reliability. Proper operation under conditions other than the standard operating conditions is neither warranted nor implied.

MECHANICAL DIMENSIONS



DC Output Connections

DIN (Multi-Output Models)

5 Pin DIN



- 1. COM
 - 2. COM
 - 3. Output
 - 4. COM
 - 5. Output
- SHIELD = GND