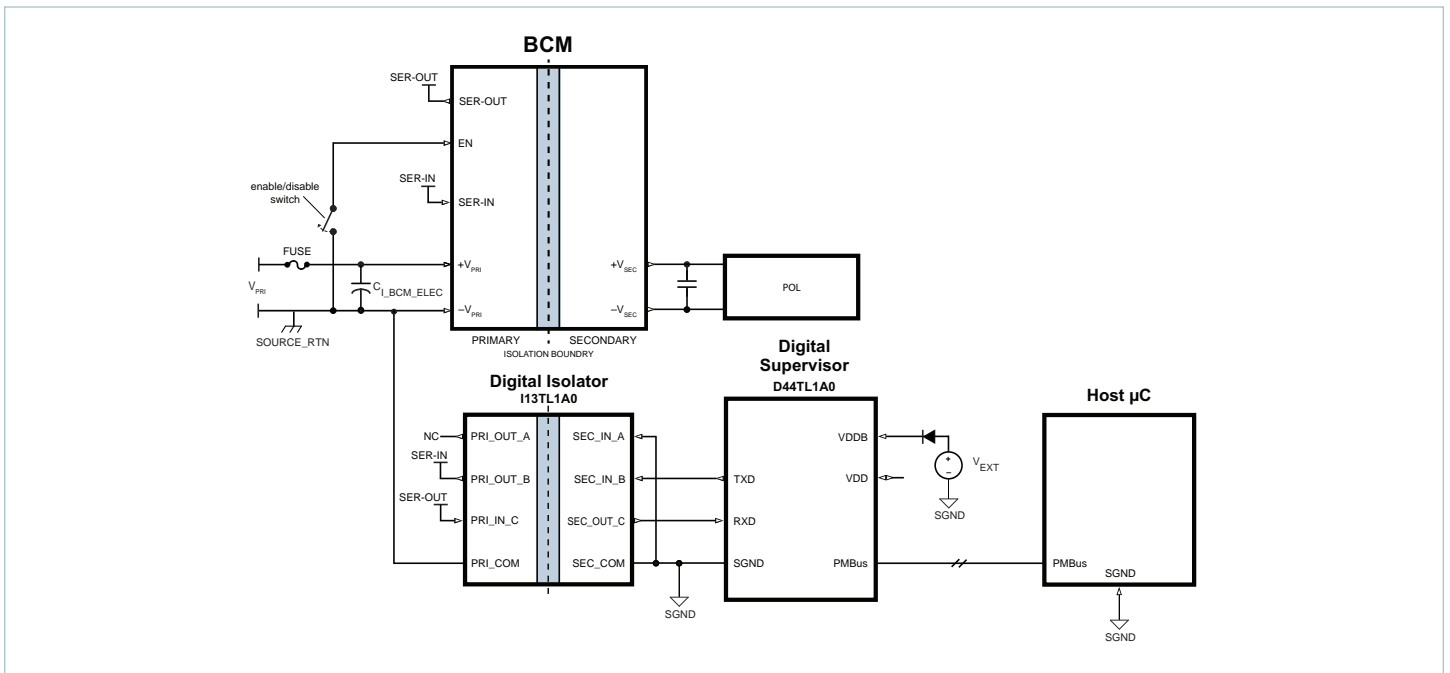


BCM6123x60E10A5y00 at Point of load



BCM6123x60E10A5y01 at Point of load