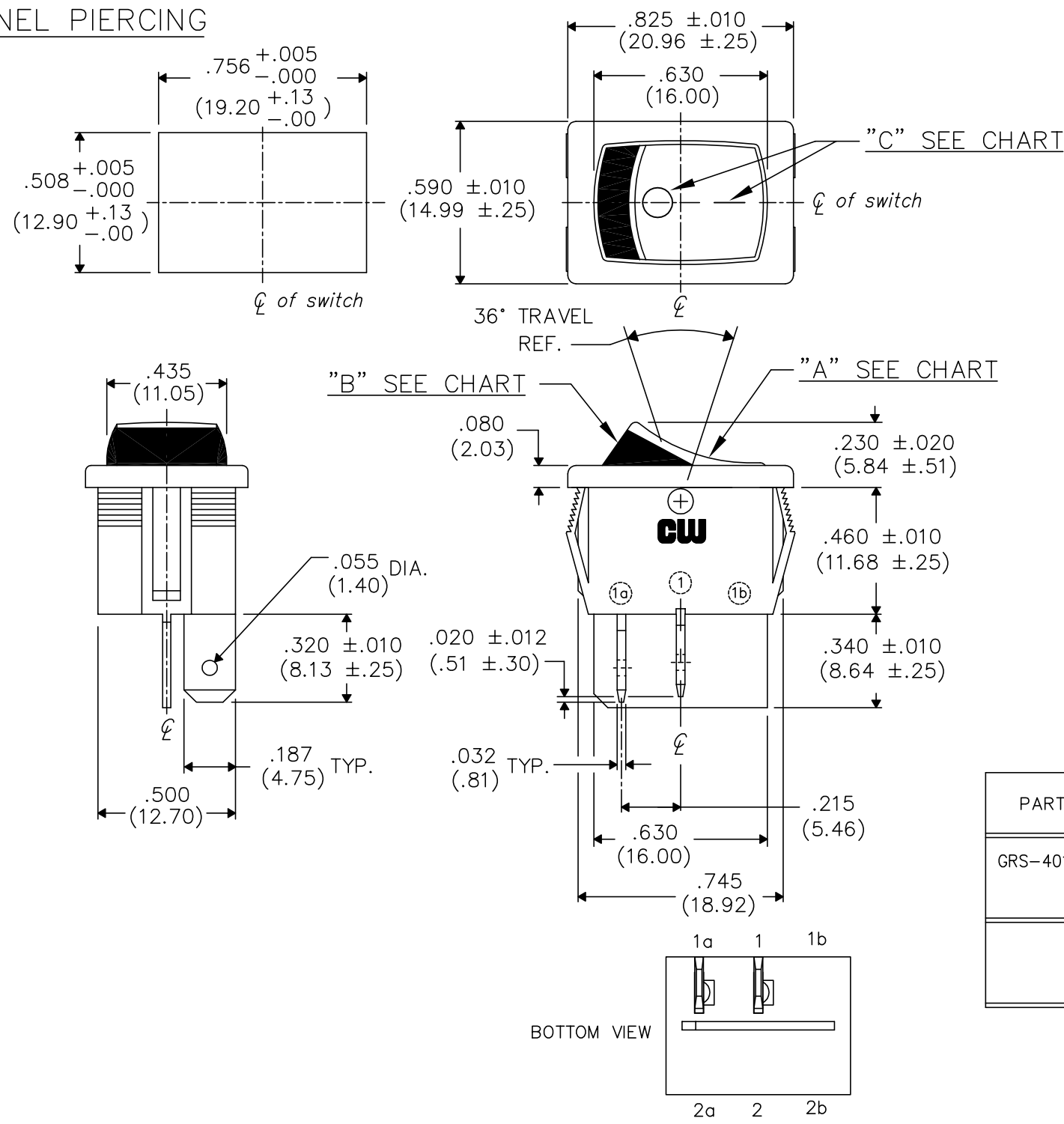



DIMENSIONS IN INCHES (MILLIMETERS)
DO NOT SCALE DRAWING

Dwg. No.
GRS-4011-0140

PANEL PIERCING



| PART NUMBER | HOUSING COLOR | BUTTON COLOR "A"/"B"/"C" | CIRCUIT | RATING | UL & CSA |
|---------------|---------------|--|---------|--|----------|
| GRS-4011-0140 | BLACK BK-000 | BLACK BK-000/RED CNY-5447/RED CNY-5447 | SPST | 16A 125-250VAC 3/4 H.P. 125-250VAC 3A 125V L 10A 14V T | APPROVED |

| | | | | | | | | | | | |
|---------------|-----------|---|--|--|--|--|--|--|--|---|---|
| B-FORMAT 2002 | REVISIONS | 0 | | | | | | | |  CW INDUSTRIES Southampton, Pa. 18966 TOLERANCES UNLESS OTHERWISE SPECIFIED 2 Place Decimal ±.010 METRIC 3 Place Decimal ±.005 1 Place Dec. ±.25mm Angles ±1' 2 Place Dec. ±.13mm Made for: CW IND. Drawn by: DGW 8-29-2006 Checked by: G. GULD 9-1-06 Approval: GZISK | Title: 2 COLOR ROCKER SWIDGET ASSEMBLY SP/ST (POP IN) Division: SWITCH Dwg. No. GRS-4011-0140 |
| | | | | | | | | | | | |
| | | | | | | | | | | | |
| | | | | | | | | | | | |